



**CANOPIA**<sup>®</sup>  
by PALRAM

# HOW TO ASSEMBLE

## HARMONY™ 6x4 / 2x1.3

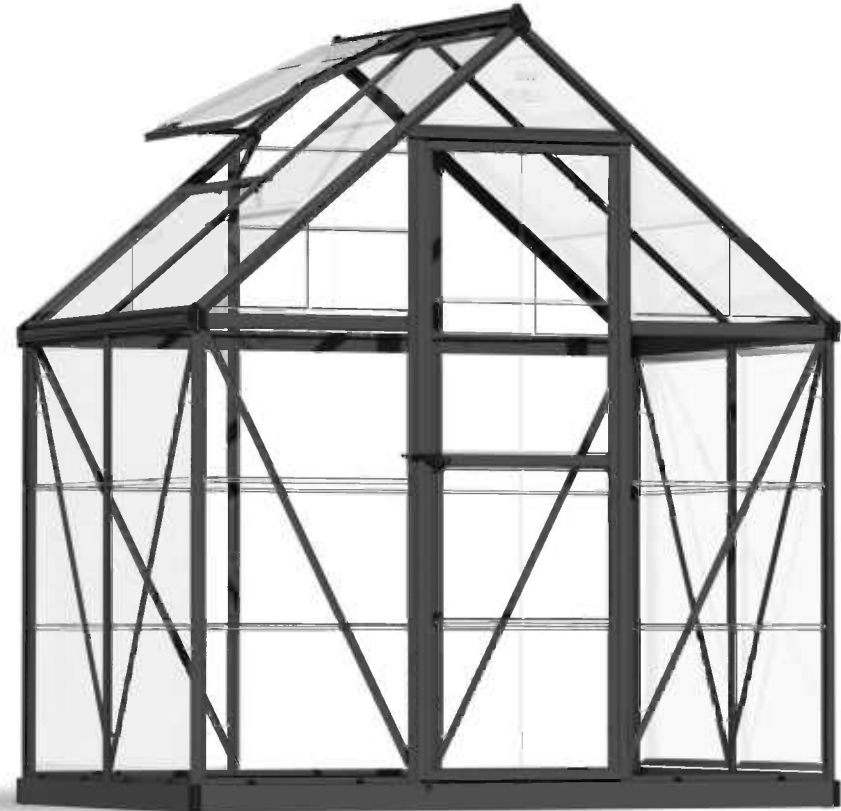
### IMPORTANT!

Please read these instructions carefully before starting assembly.  
Keep these instructions in a safe place for future reference.

[www.canopia.com](http://www.canopia.com)



A member of  
Palram Industries Ltd.





# 4 WAYS TO WATCH OUR VIDEO



## 1 Scan QR Code



## 2 Search on YouTube



Palram - Canopia  
Harmony Assembly



## 3 Go to

<http://bit.ly/2htO0FG>

## 4 Visit us

<https://canopia.com/product/harmony-greenhouse/>



# 1

## PARTS REQUEST

**In the case of missing or damaged parts, do not return product to store.**

Go to the link below or scan the QR code for help, it will direct you to a form that will help us assist you as soon as possible.



SCAN ME

Contact us on our website:  
[bit.ly/3js7yZi](https://bit.ly/3js7yZi)

# 2

## ASSEMBLY ASSISTANCE

If you need any technical assistance in assembling your product, go to the link below or scan the QR code for help. It will direct you to a form that will help us assist you as soon as possible.



SCAN ME

Contact us on our website:  
[bit.ly/3kqqFEc](https://bit.ly/3kqqFEc)



## CUSTOMER SUPPORT



SCAN ME

# WE ARE HERE TO HELP

For general questions: [bit.ly/3kY07dP](https://bit.ly/3kY07dP)

### USA



877-627-8476



[hobbyservice@poly-tex.com](mailto:hobbyservice@poly-tex.com)

### CANADA



905-5646007



[sales@footprintproducts.com](mailto:sales@footprintproducts.com)

### UNITED KINGDOM · IRELAND



01302-380775



[customer.serviceUK@palram.com](mailto:customer.serviceUK@palram.com)

### GERMANY



0180-522-8778



[customer.serviceDE@palram.com](mailto:customer.serviceDE@palram.com)

### FRANCE · BELGIUM



+33-169-791-094



[customer.serviceFR@palram.com](mailto:customer.serviceFR@palram.com)

### ISRAEL



04-848-6816



[info.il@palram.co.il](mailto:info.il@palram.co.il)

### ITALY · NETHERLANDS · PORTUGAL · SPAIN



+33-169-791-094



[customer.serviceFR@palram.com](mailto:customer.serviceFR@palram.com)

### AUSTRIA · LUXEMBURG · LIECHTENSTEIN



+49-180-522-8778



[customer.serviceDE@palram.com](mailto:customer.serviceDE@palram.com)

### AUSTRALIA



03-9219-4444



[salesvic@palram.com](mailto:salesvic@palram.com)

NORWAY · SWEDEN · ARGENTINA · GREECE · GREENLAND · ICELAND · ESTONIA · JAPAN · LATVIA · LITHUANIA  
MAURITIUS · MEXICO · ROMANIA · RUSSIA · TURKEY · UZBEKISTAN · UKRAINE · SWAZILAND · KOREA



+972-4-848-6816



[customer.service@palram.com](mailto:customer.service@palram.com)



## CUSTOMER SUPPORT



SCAN ME

# WE ARE HERE TO HELP

For general questions: [bit.ly/3kY07dP](https://bit.ly/3kY07dP)

### AUSTRALIA - GREENHOUSES

 03-9544-6-999

 [info@mazedistribution.com.au](mailto:info@mazedistribution.com.au)

### HUNGARY · SLOVAKIA

 +420-493-523-523


 [servis@garland.cz](mailto:servis@garland.cz)

### NEW ZEALAND

 0800 800 880


 [customer.service@palram.com](mailto:customer.service@palram.com)


### DENMARK

 07-575 42 70

 [post@nshnordic.com](mailto:post@nshnordic.com)


### SOUTH AFRICA

 011-397-7771

 [receptionza@palram.com](mailto:receptionza@palram.com)


### CROATIA · SLOVENIA

 0599-37-057


 [info@ms-viscom.com](mailto:info@ms-viscom.com)


### CZECH REPUBLIC

 0493-523-523

 [servis@garland.cz](mailto:servis@garland.cz)

### FINLAND

 Neuvonta: 09-6866720  
Tuki / Varaosat: 050-3715350

 [www.horisontenterprises.fi](http://www.horisontenterprises.fi)  
[tuki@horisontenterprises.fi](mailto:tuki@horisontenterprises.fi)


### POLAND

 Infolinia: 801-011-929  
22-349-93-36

 [kontakt@ogrodosfera.pl](mailto:kontakt@ogrodosfera.pl)

### CYPRUS

 0224-971-13

 [alpaco@alpacodomica.com](mailto:alpaco@alpacodomica.com)  
[www.alpacodomica.com](http://www.alpacodomica.com)

### SWITZERLAND

 062-287-33-77

 [info@ritter.ch](mailto:info@ritter.ch)



## DIGITAL INSTRUCTIONS WORLDWIDE

ES

Para reducir las cantidades de papel utilizadas, los manuales de instrucciones preliminares fueron traducidos a muchos otros idiomas y están disponibles en nuestro sitio web [www.canopia.com](http://www.canopia.com).

Los encontrará en la página web respectiva de(los) producto(s) CANOPIA que haya elegido, así como a las **instrucciones de seguridad, las indicaciones para preparar el terreno, cómo colocar los cimientos** y mucho más...

HE

על מנת לצמצם שימוש בכמויות נייר, תרגמנו את ההוראות המקדימות בשפות רבות נוספות, אותן תוכלו למצוא באתר האינטרנט שלנו [www.canopia.com](http://www.canopia.com). תוכלו למצוא אותן בדף האינטרנט של המוצר CANOPIA שבחרתם, כולל **הוראות בטיחות, הנחיות להכנת השטח לפני הרכבה, הקמת בסיס מוצר ועוד...**

NL

Om de hoeveelheid gebruikt papier te verminderen, hebben we de voorlopige instructies vertaald naar meerdere extra talen en ze beschikbaar gemaakt voor u op onze website [www.canopia.com](http://www.canopia.com).

U kunt deze vinden op de respectieve webpagina van het (de) CANOPIA product(en) dat (die) u hebt gekozen, **inclusief veiligheidsinstructies, richtlijnen om uw site voor te bereiden, uw fundering** te leggen en meer...

IT

Per ridurre la quantità di carta utilizzata, abbiamo tradotto le istruzioni preliminari in molte altre lingue e le abbiamo messe a vostra disposizione sul nostro sito web [www.canopia.com](http://www.canopia.com).

Potete trovare queste istruzioni sulla pagina web del prodotto CANOPIA di vostra scelta, **comprese le istruzioni di sicurezza, le istruzioni per la preparazione del terreno, la posa delle fondamenta** e molto altro...

SV

För att minska mängden papper som använts har vi översatt de preliminära instruktionerna på många andra språk och gjort dem tillgängliga för dig på vår webbplats [www.canopia.com](http://www.canopia.com).

Du hittar dem på respektive webbsida för CANOPIA-produkterna du har valt, inklusive **säkerhetsinstruktioner**, anvisningar för att **förbereda din plats, skapa din grund** och mycket annat ...

NN

For å redusere mengden papir som brukes har vi oversatt de preliminære instruksene i mange ekstra språk og gjort dem tilgjengelig for deg på nettsiden vår [www.canopia.com](http://www.canopia.com).

Du finner dem på den respektive nettsiden til CANOPIA produkt(ene) du har valgt, **inkludert sikkerhetsinstruksjoner, instruksjoner for å forberede området, legge fundamentet** og mer...

FI

Paperin määrän vähentämiseksi olemme kääntäneet alustavat ohjeet monille muille kielille ja saattaneet ne saataville verkkosivustollamme [www.canopia.com](http://www.canopia.com).

Löydät ne kunkin CANOPIA-tuotteen vastaavalta verkkosivulta, mukaan lukien **turvallisuusohjeet, ohjeet asennuspaikan valmistelemiseksi, perustan luomiseksi** ja paljon muuta...

DA

For at reducere mængden af brugt papir har vi oversat de foreløbige instruktioner til mange andre sprog og har gjort dem tilgængelige for dig på vores hjemmeside [www.canopia.com](http://www.canopia.com).

Du finder dem på den respektive CANEBSITE for de CANOPIA-produkter, du har valgt, **herunder sikkerhedsinstruktioner, anvisninger til forberedelse af dit siteebsted, indstilling af dit fundament** og mere...



## DIGITAL INSTRUCTIONS WORLDWIDE

SL

Da bi zmanjšali količino porabljenega papirja, smo predhodna navodila prevedli v številne dodatne jezike in vam jih dali na voljo na naši spletni strani [www.canopia.com](http://www.canopia.com).

Našli jih boste na ustrezni spletni strani izdelka(-ov) CANOPIA, ki ste ga(jih) izbrali, vključno z **varnostnimi navodili**, navodili za **pripravo gradbišča**, **postavitve temeljev** in še več...

CS

Abychom snížili množství použitého papíru, přeložili jsme předběžné pokyny do mnoha dalších jazyků a zpřístupnili jsme je na našich webových stránkách [www.canopia.com](http://www.canopia.com).

Najdete je na příslušné webové stránce produktů CANOPIA, které jste si vybrali, **včetně bezpečnostních pokynů, pokynů k přípravě pozice, nastavení základů** a další...

HU

A felhasználókat papírmennyiség csökkentése érdekében az előkészületi utasításokat számostovábbi nyelvre lefordítottuk, és a [www.canopia.com](http://www.canopia.com) weboldalunkon elérhetővé tettük az Ön számára.

Ezeket a kívánt CANOPIA termék(ek) megfelelő weboldalán találja meg, **beleértve a biztonsági utasításokat, a helyszín előkészítésére, az alapozásra vonatkozó utasításokat és még sok más...**

LT

Lai samazinātu izmantotā papīra daudzumu, esam iztulkojuši sākotnējās instrukcijas daudzās papildu valodās un padarījušas tās pieejamas mūsu vietnē [www.canopia.com](http://www.canopia.com).

Jūs tulkojumus atradīsiet attiecīgajā izvēlētā(-o) CANOPIA produkta(-u) tīmekļa lapā, tur atradīsiet arī **drošības instrukcijas, norādījumus, kā sagatavot vietni, iestatīt pamatu un vēl vairāk...**

SK

Za účelom zníženia množstva použitého papiera sme preložili predbežné pokyny do mnohých ďalších jazykov a sprístupnili sme ich pre vás na našej webovej stránke [www.canopia.com](http://www.canopia.com).

Nájdete ich na príslušnej webovej stránke produktov CANOPIA, ktoré ste si vybrali, **vrátane bezpečnostných pokynov, pokynov na prípravu vášho pracoviska, vytvorenia základov** a ďalších...

ET

Kasutatava paberi koguse vähendamiseks oleme tõlkinud esialgsed juhised paljudesse lisakeeltesse, need on teile kättesaadavad meie veebilehel [www.canopia.com](http://www.canopia.com).

Leiate need teie poolt valitud CANOPIA toote (toodete) **vasataval veebileheküljel, sealhulgas ohutusjuhised, teie objekti ettevalmistuse, aluse seadmise juhised** ja palju muud...

PL

W celu zmniejszenia ilości zużywanego papieru przetłumaczyliśmy wstępną instrukcję w wielu dodatkowych językach i udostępniliśmy ją Państwu na naszej stronie internetowej [www.canopia.com](http://www.canopia.com).

Znajdziecie je Państwo na stronie internetowej wybranego produktu CANOPIA, łącznie z **instrukcjami bezpieczeństwa, wskazówkami dotyczącymi przygotowania terenu, fundamentów** i wieloma dodatkowymi informacjami..

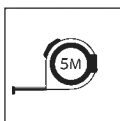
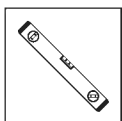
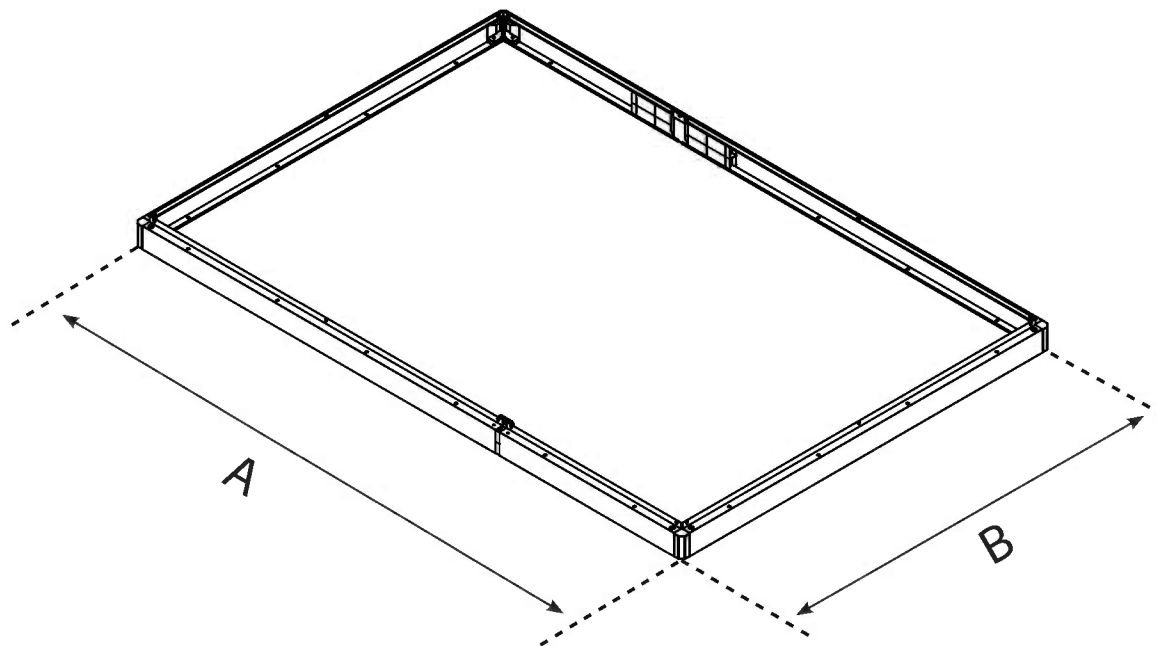
RU

Чтобы сократить количество используемой бумаги, мы перевели предварительные инструкции на множество других языков и сделали их доступными для вас на нашем веб-сайте [www.canopia.com](http://www.canopia.com).

Вы найдете их на соответствующей веб-странице изделия CANOPIA, которые вы выбрали, **включая инструкции по безопасности, инструкции по подготовке вашего места, закладке основы** и многое другое...



## BASE DIMENSIONS HARMONY



MODEL	WIDTH		LENGTH
6x4 / 2x1.3	A	185 cm / 6'1"	B 125 cm / 4'1"

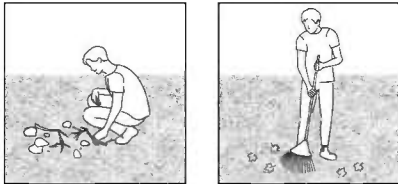


# SITE PREPARATION & FOUNDATION

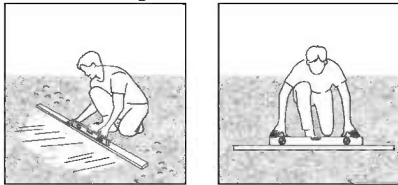
## A - PREPARE THE SITE

The product must be built on a **solid and leveled** surface in order to perform properly.

### 1 - Clear the site



### 2 - Level the ground



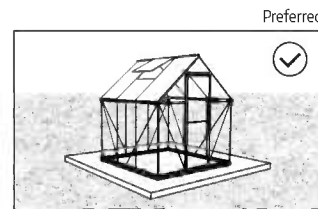
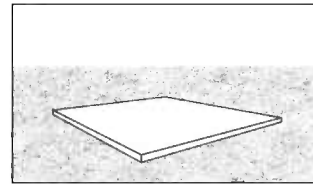
#### IMPORTANT

We recommend checking for restrictions or covenants for building this product in your area. In addition we advise to check if you need to submit any forms or if any permit is required prior to building the product.

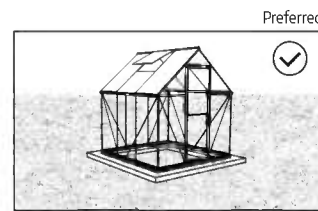
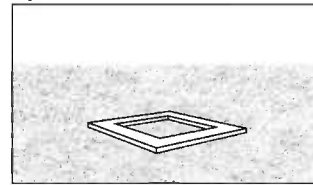
## B - CHOOSE YOUR FOUNDATION TYPE

For a base, we recommend using three material types :  
Concrete | Pressure treated wood / wood deck | Paver blocks

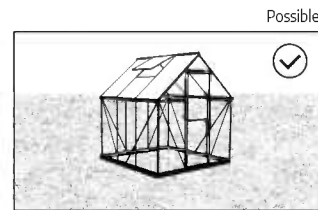
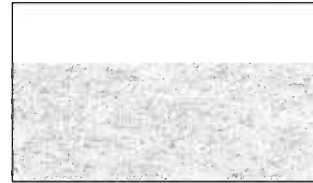
### Option 1: Solid base



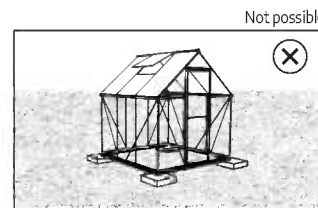
### Option 2: Solid frame



### Option 3: Firm ground / grass

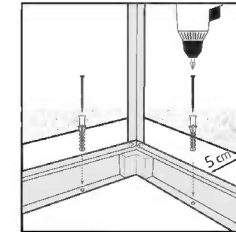


\* The size of the greenhouse displayed is for illustration purposes only and may not reflect the size of your greenhouse.

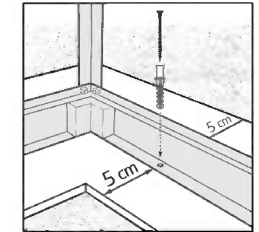


## C - ANCHOR TO FOUNDATION

### On a solid base



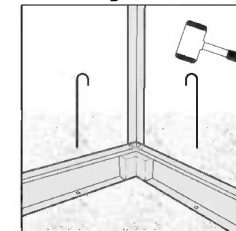
### On a solid frame



Secure the product to the foundation of your choice using suitable screws & plugs or masonry anchors (not supplied).

Make sure you have at least 5 cm | 2" between the product base and the edges of your foundation - **on all sides.**

### On soil / grass



Secure the product to the ground surface using suitable long pegs (not supplied).

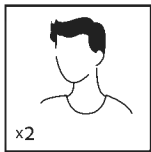
## SAFETY ADVICE

- It is of utmost importance to assemble all of the parts according to the directions. Do not skip any steps.
- We strongly recommend using work gloves during panel sliding.
- Always wear shoes and safety goggles when working with extruded aluminium.
- If using a step ladder or power tools make sure that you follow the manufacturer's safety advice.
- Do not touch overhead power cables with the aluminium profiles.
- Do not attempt to assemble the product in windy or wet conditions.
- Dispose of all plastic bags. Keep them out of reach of small children.
- Keep children away from the assembly area.
- Do not lean against or push the products during construction.
- Do not position your product in an area exposed to excessive winds.
- Do not attempt to assemble this product if you are tired, have taken drugs or alcohol or if you are prone to dizzy spells.
- Hot items such as recently used grills, blowtorches etc. must not be stored in the product.
- Make sure there are no hidden pipes or cables in the ground before inserting the pegs.
- This product is designed to be used mainly as a greenhouse.
- **Please Note:** We strongly recommend anchoring the product directly to a solid foundation to increase the product's stability and wind resistance in areas with severe weather conditions. Make sure that there are no obstructions between the assembly area and the final position of the product. The Palram - Canopia Anchoring kit is available for purchase separately.

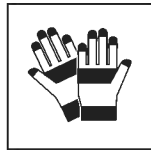
## CARE & MAINTENANCE

- When your product needs to be cleaned, use a mild detergent solution and rinse with cold clean water.
- DO NOT use acetone, abrasive cleaners or other special detergents to clean the panels.
- Clean the product once assembly is complete.

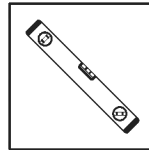
## TOOLS & EQUIPMENT



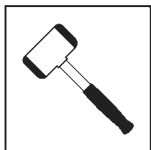
2 people needed



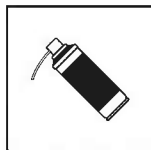
Work gloves



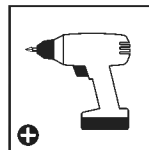
Spirit Level



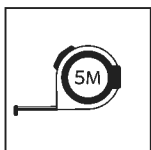
Rubber Mallet



Lubricant Spray



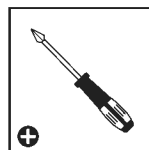
Cordless drill  
Phillips head



Tape measure



Wrench  
10 mm | 13/32"



Philips head  
Screwdriver

## BEFORE ASSEMBLY

1. Selecting a site:
  - The product must be positioned and fixed on a flat level surface.
  - Choose a sunny position away from overhanging trees.
2. We strongly recommend this product to be secured directly to a solid foundation.
3. This is a multi-part assembly best achieved by two people. Allow at least half a day for the assembly process.
4. Take all components & parts out of the packages. Sort the parts and check against the content parts list.
5. Parts should be laid out close at hand. Keep all small parts (screws etc.) in a bowl so they do not get lost.
6. Please note multi-sided profiles are used in this greenhouse. As a result some holes in the profiles are not used during assembly.
7. Please review entire instructions before starting. Carry out the assembly steps in exact order.
8. Please consult your local authorities if any permits are required prior to constructing the product.

## DURING ASSEMBLY

- You may use silicone lubricant spray on the frame in order to help you slide the panels into the profiles.
- Do not spray the Polycarbonate panels.
- Use a rubber mallet if necessary.
- **Steps 15, 16, 23, 24, 26, 34, 35, 38, 39, 40, 42, 47, 50:**  
**Please Note!** Each of the 3 greenhouses come with its compatible panels kit as shown in the content list and in the relevant assembly steps.



- During assembly you will encounter the information icon, please refer to the relevant assembly step for additional comments and assistance.



- This icon indicates that the installer should be inside the product.



- This icon indicates that the installer should be outside the product.

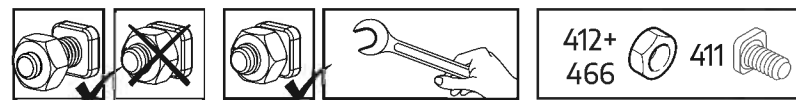


- All panels with the stamped words "THIS SIDE OUT" must be facing out to create full UV protection. Remove plastic sticker as panels are locked in place.

## IMPORTANT RECOMMENDATIONS

- Firmly connect the product to a level surface immediately after completion of the assembly.
- Anchoring this product to the ground is essential to its stability and rigidity. It is required to complete this stage in order for your warranty to be valid.
- During assembly use a soft surface below the parts to avoid scratches and damages.
- Tighten all screws once assembly is completed.
- Screws **411** and nuts **412 & 466** are used throughout the assembly process
- Screws **411** are to be assembled from the outside and nuts **412 & 466** from the inside of the greenhouse.

- If not specified otherwise, do not fasten screws and nuts (**411, 412 & 466**) for more than 2-3 turns. Do not tighten them until completion of the panels assembly. These 2 icons below indicate if screw's tightening is required or not.
- However, in some steps, temporary tightening of a few screws may be needed to prevent a profile from sliding out.





## IMPORTANT ASSEMBLY STEPS

**When encountering this information icon during assembly, please refer to the relevant assembly step for important additional comments.**

**Step 5:** Part **994, 995** are in the back of the greenhouse. Attaching them determines the front side of the greenhouse.

**Steps 8, 11:** The oval hole in the crossbars **256** should always be assembled to the base of the greenhouse.

**Step 9:** **Door Assembly:** Determines door direction. Part **987** is the side that the door hinges will be located. The door can be installed either as a left or right hand door. These instructions show a right hand door assembly.

**Step 29:** **Window Assembly:** Decide on the window's location before assembly. Window can be installed in one of the indicated options.

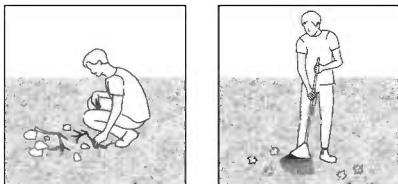
**Step 45:** In case the window doesn't closed properly, please release the screws, adjust the profile and tighten the screw.

# PRÉPARATION DU TERRAIN ET FONDATION

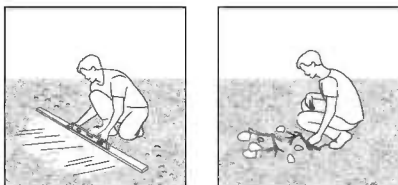
## A- PRÉPARER LE TERRAIN

Le produit doit être monté sur une **surface solide et nivelée** afin d'en assurer la bonne stabilité.

### 1- Déblayer le terrain



### 2- Nivelier le sol



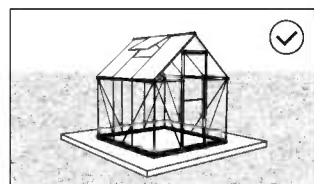
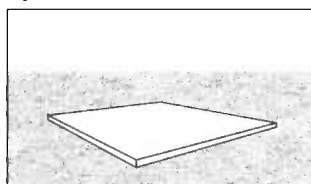
### — IMPORTANTE —

Avant d'assembler ce produit dans votre région, nous vous recommandons de vous renseigner sur les restrictions ou réglementations locales. Nous vous conseillons en outre de vérifier si vous devez soumettre des formulaires ou si un permis est requis avant de monter le produit.

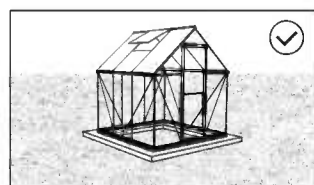
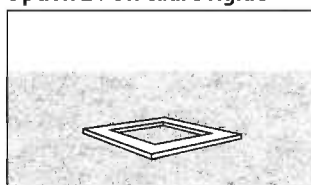
## B - CHOISIR VOTRE TYPE DE FONDATION

Pour la base, nous recommandons d'utiliser trois types de matériaux :  
Béton | Bois traité sous pression / plancher en bois | Blocs de pavés.

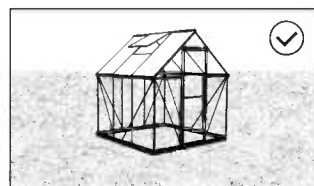
### Option 1 : Une base solide



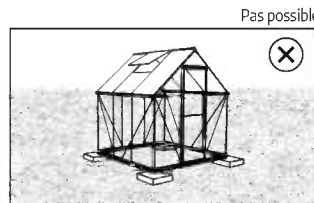
### Option 2 : Un cadre rigide



### Option 3 : Terre / pelouse ferme

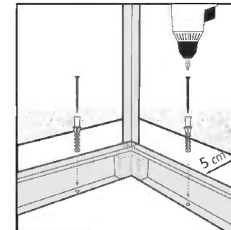


\*La taille de la serre affichée ici est uniquement à titre d'illustration et ne reflète pas forcément la taille de votre serre.

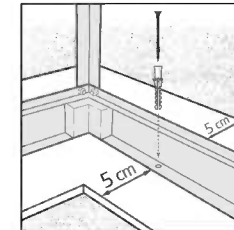


## C - ANCRAGE A LA FONDATION

### Sur une base solide



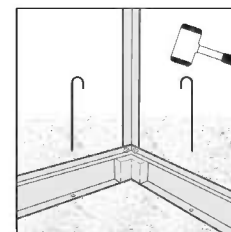
### Sur un cadre solide



Fixez le produit à la fondation de votre choix, à l'aide de vis et de chevilles appropriées ou d'ancrages en maçonnerie (non fournis).

Assurez-vous qu'il y a au moins 5 cm entre la base du produit et le périmètre de votre fondation - **de tous les côtés**.

### Sur la terre ou l'herbe



Fixez le produit à la surface du sol à l'aide de longs piquets appropriés (non fournis).

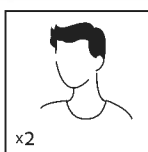
## CONSEILS DE SECURITE

- Très important ! Veuillez suivre scrupuleusement les instructions de ce manuel et réaliser les étapes dans l'ordre énoncé.
- Nous recommandons vivement le port de gants de protection pendant le montage.
- Portez toujours des chaussures de travail et des lunettes de protection lorsque vous travaillez des pièces en aluminium extrudé.
- Lors de l'utilisation d'une échelle ou d'outils électriques, assurez-vous de bien suivre les consignes de sécurité du fabricant.
- Veuillez à ne pas toucher de câbles aériens avec les profilés en aluminium.
- N'essayez pas de monter la produit s'il y a du vent ou s'il fait humide.
- Jetez tous les sacs en plastique en appliquant les règles de sécurité et maintenez-les hors de portée des jeunes enfants.
- Eloignez les enfants de la zone d'assemblage.
- Ne vous appuyez pas contre la produit et ne la poussez pas pendant le montage.
- Ne positionnez pas la produit dans un endroit trop exposé au vent.
- N'essayez pas de monter la produit si vous êtes fatigué, si vous êtes sous l'effet de drogues, de médicaments ou d'alcool ou encore si vous êtes sujet aux vertiges.
- Les objets chauds tels qu'un barbecue, un chalumeau ou autre article ayant été récemment utilisés, ne doivent pas être rangés dans la produit.
- Avant de planter les piquets, assurez-vous qu'aucun tuyau ni câble n'est enterré à l'endroit sélectionné pour l'installation.
- Ce produit a été conçu pour être principalement utilisé comme serre.
- **Veillez noter** : Nous recommandons fortement d'ancrer la produit directement sur une base solide afin d'augmenter la stabilité et la résistance au vent du produit dans les zones où les conditions météorologiques sont défavorables. Veillez à ce qu'il n'y ait pas d'obstacles entre la zone de montage et la position finale du produit. Le kit d'ancrage Palram - Canopia est disponible à l'achat séparément.

## ENTRETIEN & MAINTENANCE

- Pour nettoyer votre produit, utilisez une solution détergente douce et rincez à l'eau claire et froide.
- NE PAS utiliser d'acétone ni de produits nettoyants ou autres détergents spéciaux pour nettoyer les panneaux clairs.
- Nettoyez le produit une fois le montage termine.

## OUTILS ET ÉQUIPEMENT

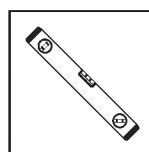


Nécessite  
2 personnes

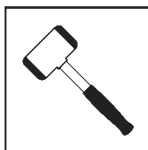
x2



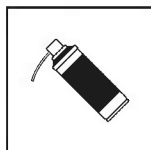
Gants de travail



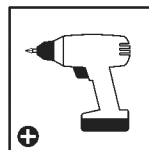
Niveau



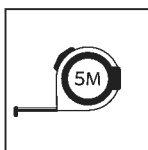
Maillet en  
caoutchouc



Spray lubrifiant



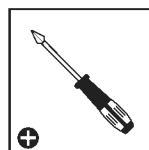
Perceuse  
Tête Philips



Mètre



Clé  
10 mm | 13/32"



Tournevis cruciforme

## AVANT LE MONTAGE

1. Choisir un endroit :
  - La produit doit être positionnée et fixée sur une surface plane et horizontale.
  - Choisissez un endroit ensoleillé loin des arbres en saillie.
2. Nous vous recommandons fortement de sécuriser cette produit directement à une fondation en béton solide. Utilisez les trous pré-perçés dans la base métallique au moment de le faire.
3. Il s'agit d'un assemblage multi parties qu'il vaut mieux réaliser à deux. Comptez au moins une demi journée pour le processus de montage.
4. Retirez tous les composants des paquets. Triez les éléments et vérifiez la liste. Les éléments doivent se trouver à portée de main.
5. Gardez tous les petits éléments (vis etc.) dans un bol pour ne pas les perdre.
6. Veuillez noter que des coupes multi faces sont utilisées dans cette produit. C'est pourquoi certains trous dans les coupes ne sont pas utilisés pendant le montage.
7. Veuillez vérifier toutes les instructions avant de commencer. Procédez aux étapes de montage dans l'ordre exact.
8. Veuillez consulter les autorités locales au cas où des permis sont nécessaires pour la construction du produit.

## DURANT L'ASSEMBLAGE

- Vous pouvez utiliser un spray de lubrifiant pour silicone afin de vous aider à glisser les panneaux dans les profilés.
- Ne pulvérisez pas les panneaux en polycarbonate.
- Utilisez un maillet en caoutchouc si nécessaire.
- **Étapes 15, 16, 23, 24, 26, 34, 35, 38, 39, 40, 42, 47, 50:**  
**veuillez noter !** Chacune des 3 serres est livrée avec son propre kit de panneaux compatibles, comme indiqué dans la liste de contenu et dans les étapes d'assemblage correspondantes.



- Pendant le montage, vous verrez l'icône d'information, veuillez-vous référer à la phase de montage correspondante pour des commentaires et une assistance supplémentaires.



- Cette icône indique que l'installateur doit être à l'intérieur du produit



- Cette icône indique que l'installateur doit être en dehors du produit.

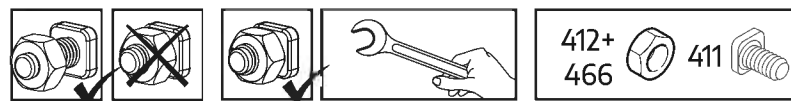


- Tous les panneaux estampillés "THIS SIDE OUT" doivent être orientés vers l'extérieur pour assurer une protection UV intégrale. Retirez les stickers en plastique quand les panneaux sont verrouillés et bien en place.

## RECOMMANDATIONS IMPORTANTES

- Connectez du produit fermement à une surface nivelée après l'achèvement de l'assemblage.
- Cette étape d'ancrage du produit au sol est essentielle à sa stabilité et à sa rigidité, elle est de plus nécessaire pour assurer la validité de votre garantie.
- Pendant le montage, placez une surface souple sous les pièces pour éviter de les érafler ou de les endommager.
- Serrez toutes les vis une fois l'assemblage terminé.
- Les vis **411** et écrous **412 & 466** servent tout au long de la procédure.
- Les vis **411** se placent à l'extérieur et les écrous **412 & 466** à l'intérieur de la serre.

- Ne serrez les vis et écrous (**411, 412 & 466**) que de 2 à 3 tours, pas plus. Ne les serrez pas tant que l'assemblage n'est pas complètement terminé, sauf indication contraire.
- Cependant, la réalisation de certaines étapes peut nécessiter le serrage provisoire de quelques vis pour empêcher un profilé de tomber en attendant qu'il soit entièrement intégré à l'ensemble de la structure dans les étapes suivantes.





## PRINCIPALES ÉTAPES D'ASSEMBLAGE

Lorsque vous rencontrez cette icône d'information pendant l'assemblage, veuillez vous référer à l'étape d'assemblage correspondante pour d'autres commentaires importants.

**Étape 5:** Les parties **994, 995** sont à l'arrière de la serre. Les attaches déterminent le devant de la serre.

**Étapes 8, 11:** Le trou ovale dans les barres fixes **256** doit toujours être monté à la base de la serre.

**Étape 9:** **Montage de la porte :** Déterminez la direction de la porte. La partie **987** est le côté où les charnières de porte seront situées. La porte peut être installée de manière à s'ouvrir sur la droite ou sur la gauche. Ces instructions montrent un montage correct de la porte.

**Étape 29:** Choisissez l'emplacement de la fenêtre avant le montage. La fenêtre peut être assemblée dans l'une des options indiquées.

**Étape 45:** Au cas où la fenêtre ne ferme pas correctement, veuillez relâcher les vis, ajustez la coupe et serrez les vis.

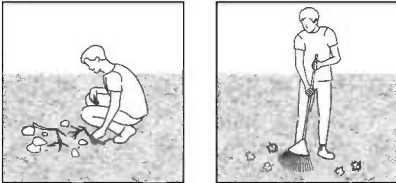


# STANDORTWAHL & FUNDAMENT

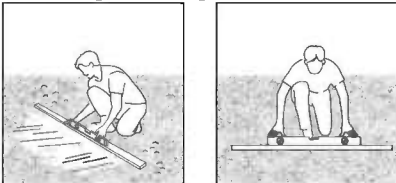
## A - VORBEREITUNG DES UNTERGRUNDES

Das Produkt muss auf einem **festen und absolut ebenmäßigen** Untergrund aufgebaut werden, um eine einwandfreie Funktion zu gewährleisten.

### 1 - Standort säubern



### 2 - Untergrund ausgleichen und nivellieren



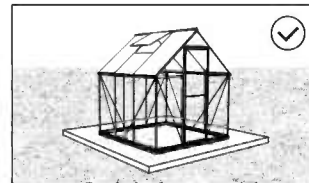
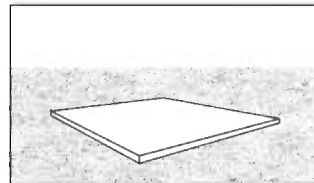
### WICHTIG

Bevor Sie mit der Montage beginnen, vergewissern Sie sich bitte beim zuständigen Bauamt, ob es in Ihrer Region Einschränkungen oder Auflagen für den Bau des gewählten Produktes gibt. Wir bitten Sie außerdem zu prüfen, ob eine Genehmigung für den Bau erforderlich ist.

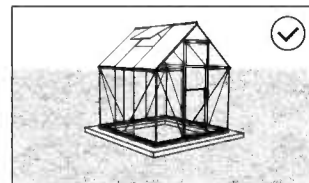
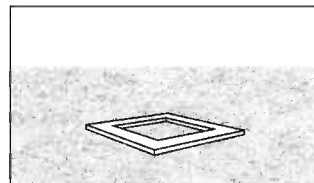
## B - FUNDAMENTWAHL

Als Untergrund stehen folgende Materialien zur Auswahl (Empfehlung):  
Beton | Druckbehandeltes Holz/Holzdeck | Pflastersteine

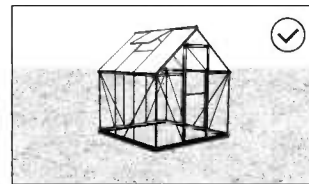
### Option 1: Fester Untergrund



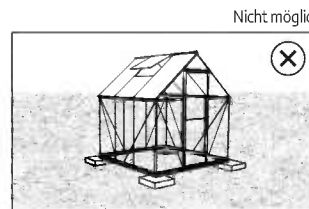
### Option 2: Fester Rahmen



### Option 3: Erdboden / Gras

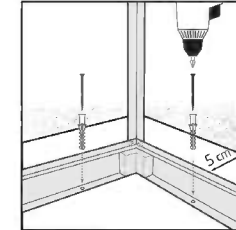


\*Die Größe des abgebildeten Gewächshauses dient nur zur Veranschaulichung und entspricht möglicherweise nicht der Größe Ihres Gewächshauses.

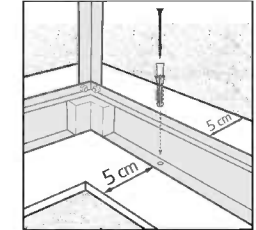


## C - BEFESTIGUNG AM FUNDAMENT

### Befestigen Sie das Produkt auf einem festen Untergrund



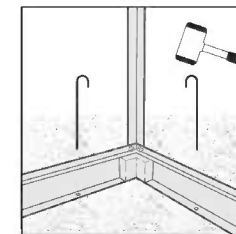
### Achten Sie bei einem festen Fundament darauf



Mit geeigneten Dübeln und Schrauben oder Mauerwerksankern, je nach gewähltem Fundamenttyp (nicht mitgeliefert).

Stellen Sie sicher, dass zwischen der Basis des Produkts und den Kanten Ihres Fundaments auf allen Seiten mindestens 5 cm Abstand sind.

### Montieren Sie das Produkt direkt auf dem Rasen/Boden



Müssen ausreichend lange Erdanker verwendet werden.

Sichern Sie das Produkt auf dem Boden/Rasen mit geeigneten langen Pflöcken (nicht im Lieferumfang enthalten) auf der Bodenoberfläche.

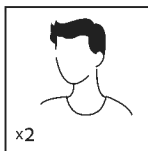
## SICHERHEITSHINWEISE

- Es ist sehr wichtig, dass alle Teile gemäß den Anweisungen ja dieser Anleitung zusammenzubauen. Lassen Sie bitte keinen Schritt aus.
- Tragen Sie während des Aufbaus unbedingt Arbeitshandschuhe. Außerdem empfehlen wir ausdrücklich das Tragen von festem Schuhwerk und einer Schutzbrille.
- Achten Sie beim verwenden einer Leiter oder Elektrowerkzeug bitte auf die jeweiligen Sicherheitshinweise des Herstellers.
- Berühren Sie mit den Aluminiumprofilen keine Oberleitungen.
- Halten Sie Kinder vom Aufbaubereich fern.
- Die Montage darf nur bei trockenem und windstillem Wetter erfolgen.
- Entsorgen Sie alle Plastiktüten sicher und bewahren sie außerhalb der Reichweite von kleinen Kindern auf.
- Während des Aufbaus sollten Sie sich nicht gegen das Produkt lehnen oder Druck ausüben.
- Suchen Sie einen windgeschützten Standort für das Produkt aus.
- Versuchen Sie nicht, dieses Produkt zu montieren, wenn Sie müde sind, Drogen oder Alkohol zu sich genommen haben oder zu Schwindelanfällen neigen.
- Heiße Gegenstände wie kürzlich benutzte Grills, Lötlampen usw. dürfen nicht im Produkt gelagert werden.
- Vergewissern Sie sich, dass sich keine versteckten Rohre oder Kabel im Boden befinden, bevor Sie die Erdanker einsetzen.
- Dieses Produkt ist hauptsächlich für die Verwendung als Gewächshaus vorgesehen.
- **Bitte beachten:** Wir empfehlen dringend, das Produkt direkt auf einem soliden Fundament zu verankern, um die Stabilität und Windbeständigkeit des Produkts in Gebieten mit strengen Wetterbedingungen zu erhöhen. Stellen Sie sicher, dass sich keine Hindernisse zwischen dem Montagebereich und der endgültigen Position des Produkts befinden. Der Palram - Canopia-Verankerungssatz kann separat erworben werden.

## PFLEGE & WARTUNG

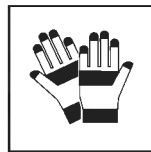
- Zur Reinigung verwenden Sie ein mildes Reinigungsmittel und spülen es mit kaltem, sauberem Wasser nach.
- Verwenden Sie zur Reinigung der Paneele KEIN Aceton und auch keine anderen scheuernden Reinigungsmittel oder andere Spezialreiniger.
- Säubern Sie das Produkt nach dem Aufbau.

## WERKZEUGE & AUSTRÜSTUNG

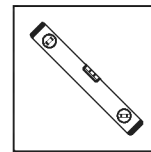


Zwei Personen erforderlich

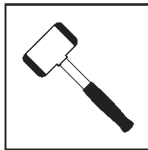
x2



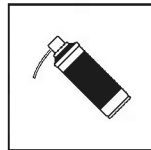
Arbeitshandschuhe



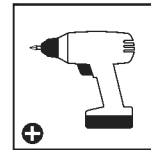
Wasserwaage



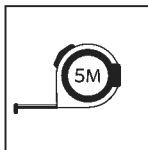
Gummihammer



Schmierstoffspray



Akkubohrer - Kreuzschlitzaufsatz



Maßband



Schraubenschlüssel  
10 mm | 13/32"



Kreuzschlitzschraubendreher

## VOR DEM ZUSAMMENBAU

1. Die Standortwahl:
  - Das Produkt muss auf einem flachen Untergrund aufgestellt und befestigt werden.
  - Wählen Sie eine sonnige Position abseits von überhängenden Bäumen.
2. Wir empfehlen dringend, das Produkt direkt auf einem betonierten Fundament zu befestigen.
3. Für die Montage dieses Produktes sind zwei Personen erforderlich. Nehmen Sie sich für den Zusammenbau mindestens einen halben Tag Zeit.
4. Packen Sie die Bauteile aus und überprüfen Sie, ob alle Teile der Liste aufgeführt sind. Nehmen. Die Teile sollten griffbereit ausgelegt werden.
5. Bewahren Sie alle kleinen Teile (Schrauben usw.) in einer Schüssel, damit nichts verloren geht.
6. Beachten Sie bitte, dass bei diesem Produkt mehrseitige Profile verwendet werden.
7. Während des Zusammenbaus sind daher nicht alle Löcher in den Profilen relevant.
8. Lesen Sie vor Beginn des Aufbaus die gesamte Anleitung durch.
9. Führen Sie die Montageschritte in genauer Reihenfolge durch.
10. Bitte erkundigen Sie sich bei den örtlichen Behörden, ob vor dem Aufbau des Produkts eine Genehmigung erforderlich ist.

## WÄHREND DER MONTAGE

- Sie können Silikonschmierspray auf den Rahmen sprühen, um das Einschieben der Platten in die Profile zu erleichtern.
- Besprühen Sie nicht die Polycarbonat-Platten.
- Nehmen Sie – falls nötig – einen Gummihammer zur Hilfe.
- **Schritte 15, 16, 23, 24, 26, 34, 35, 38, 39, 40, 42, 47, 50:**  
**Bitte beachten!** Jedes der 3 Gewächshäuser wird mit einem dazu passenden, in der Inhaltsliste und den entsprechenden Aufbausritten aufgeführten Paneelsatz geliefert.



- Während der Montage begegnet Ihnen das Informationssymbol, weitere Hinweise und Hilfestellungen finden Sie auf der Seite "WICHTIGE MONTAGESCHRITTE".



- Dieses Symbol zeigt an, dass sich die installierende Person sich im Inneren des Produktes befinden sollte.



- Dieses Symbol zeigt an, dass sich die installierende Person an der Außenseite des Produktes befinden sollte.

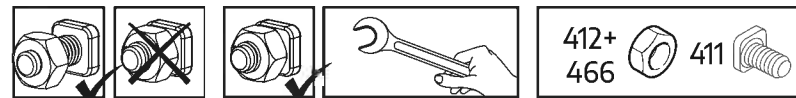


- Alle mit den Worten "THIS SIDE OUT" versehenen Platten müssen nach außen zeigen, um den vollen UV-Schutz zu gewährleisten. Entfernen Sie die Aufkleber, sobald die Platten montiert sind.

## WICHTIGE HINWEISE

- Befestigen Sie das Produkts sofort nach Fertigstellung der Montage auf einem ebenen Untergrund.
- Die Verankerung dieses Produkts im Boden ist für seine Stabilität und Standfestigkeit von maßgeblicher Bedeutung.
- Legen sie während des Aufbaus eine weiche Unterlage unter die einzelnen Teile, um Kratzer und Schäden zu vermeiden.
- Die Verankerung dieses Produkts im Boden ist für seine Stabilität und Standfestigkeit unerlässlich. Eine ordentlich Befestigung ist erforderlich, damit die Garantie gültig ist. Ziehen Sie nach Abschluss der Montage alle Schrauben fest.
- Die Schrauben **411** und Muttern **411, 412 & 466** werden während des gesamten Montagevorgangs benötigt. Bitte montieren Sie die Schrauben **411** immer von außen und die Muttern **411, 412 & 466** immer von der Innenseite des Gewächshauses.

- Wenn nicht anders spezifiziert, ziehen Sie Schrauben und Muttern (**411, 412 & 466**) erst nach Fertigstellung der Plattenmontage und nicht öfter als 2-3 Umdrehungen an. Diese 2 Symbole unten zeigen an, ob das Anziehen der Schrauben erforderlich ist oder nicht.
- Bei einigen Schritten kann jedoch ein vorübergehendes Anziehen einiger Schrauben erforderlich sein, um das Herausrutschen eines Profils zu verhindern.





## WICHTIGE MONTAGESCHRITTE

**Wenn Sie bei der Montage auf dieses Informationssymbol stoßen, finden Sie im jeweiligen Montageschritt wichtige Zusatzhinweise.**

**Schritt 5:** Teile **994, 995** befinden sich an der Rückseite des Gewächshauses.  
Ihre Befestigung bestimmt die Vorderseite des Gewächshauses.

**Schritte 8, 11:** Das ovale Loch in den Kreuzschiene **256** sollte immer mit dem Fundament des Gewächshauses verbunden werden.

**Schritt 9:** **Tür-Zusammenbau:** Bestimmt die Türöffnung.  
Teil **987** ist die Seite, an der die Türscharniere befestigt werden.  
Die Tür kann mit rechtem oder linkem Türanschlag eingebaut werden. In dieser Anleitung wird ein Türeingebau mit rechtem Türanschlag dargestellt. Fenstereingebau.

**Schritt 29:** Bestimmen Sie vor dem Einbau die Fensterposition.  
Fenster können auf eine der angegebenen Optionen eingebaut werden.

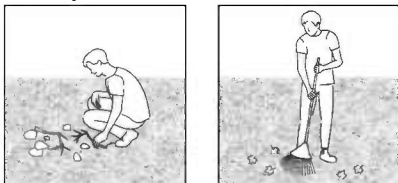
**Schritt 45:** Falls das Fenster nicht richtig schließen sollte, lösen Sie bitte die Schrauben, passen Sie die Profile an und ziehen Sie die Schrauben wieder fest.

# PREPARACIÓN DEL SITIO Y CIMENTACIÓN

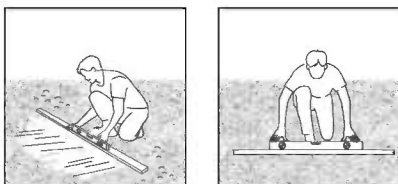
## A - PREPARE EL SITIO

Este producto debe construirse sobre una **base sólida y una superficie nivelada** para que funcione correctamente.

### 1 - Limpie el sitio



### 2 - Nivele el terreno



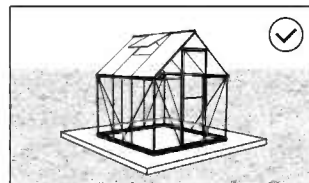
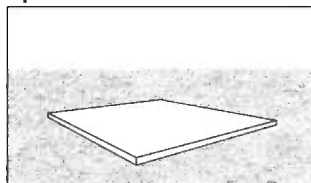
### IMPORTANTE

Recomendamos comprobar las restricciones o convenios para la construcción de este producto en su área. Además, aconsejamos comprobar si necesita presentar algún formulario o si se requiere algún permiso antes de construir el producto.

## B - ELIJA EL TIPO DE CIMENTACIÓN

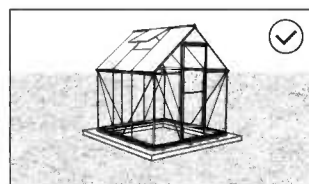
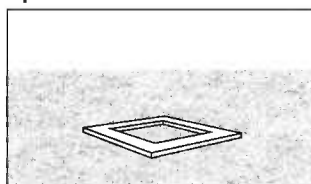
Como base, recomendamos usar tres tipos de materiales:  
Hormigón | Madera prensada | Piso de madera | Adoquín de hormigón.

### Opción 1: Base sólida



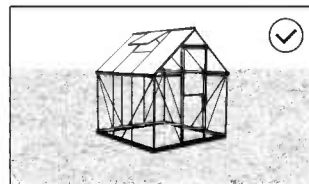
Preferido

### Opción 2: Estructura sólida



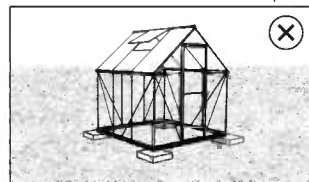
Preferido

### Opción 3: Tierra firme / césped



Posible

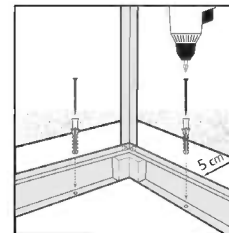
\* El tamaño del invernadero que se muestra tiene un propósito meramente ilustrativo y puede no reflejar el tamaño de su invernadero.



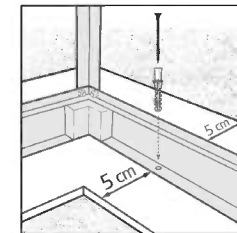
No es posible

## C - ANCLAJE A LOS CIMIENTOS

### Sobre una base sólida

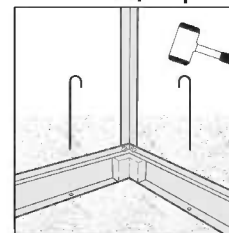


### En una estructura sólida



Asegure el producto a los cimientos de su elección, usando tornillos y tacos adecuados o anclajes de mampostería (no suministrados). Asegúrese de tener al menos 5 cm | 2" entre la base del producto y el perímetro de su cemento - **en todos los lados**.

### Sobre tierra / césped



Asegure el producto a la superficie del terreno usando clavijas largas y adecuadas (no suministradas).

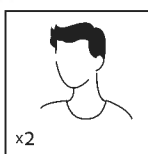
## CONSEJOS DE SEGURIDAD

- Es de suma importancia montar todas las partes de acuerdo con las instrucciones. No se salte ningún paso.
- Recomendamos firmemente el uso de guantes de trabajo durante el montaje.
- Use siempre zapatos y gafas de seguridad al trabajar con aluminio extruido.
- Al usar una escalera plegable o herramientas eléctricas asegúrese de que sigue las instrucciones de seguridad de los fabricantes.
- No toque los cables eléctricos aéreos con los perfiles de aluminio.
- No intente montar el invernadero en días de viento o días con humedad.
- Disponga todas las bolsas plásticas en lugar seguro - guárdelas fuera del alcance de niños.
- Mantenga a los niños fuera del área de montaje.
- No se apoye ni empuje el producto durante la construcción.
- No coloque su producto en un área expuesta al viento excesivo.
- No intente montar este producto si usted está cansado, ha tomado drogas o alcohol o si usted es propenso a ataques de mareo.
- Artículos calientes recientemente usados tales como parrillas, sopletes etc. no deben ser almacenados en el producto.
- Asegúrese de que no haya ninguna tubería o cables ocultos en la tierra antes de insertar las clavijas.
- Este producto fue diseñado para ser utilizado principalmente como un invernadero.
- **Nota:** Recomendamos encarecidamente anclar el producto directamente a una base sólida para aumentar la estabilidad y la resistencia al viento del mismo en zonas con condiciones meteorológicas adversas. Asegúrese de que no haya obstáculos entre la zona de montaje y la posición final del producto. El kit de anclaje de Palram - Canopia puede adquirirse por separado.

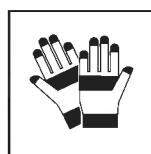
## CUIDADOS & MANTENIMIENTO

- Cuando precise limpiar su producto, use una solución de detergente suave y aclare con agua limpia fría.
- NO use acetona, limpiadores abrasivos u otros detergentes especiales para limpiar los paneles transparentes.
- Limpie el producto una vez terminado el montaje.

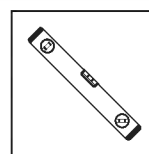
## HERRAMIENTAS Y EQUIPOS



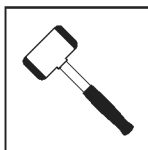
- Se necesitan dos personas



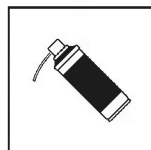
- Guantes de trabajo



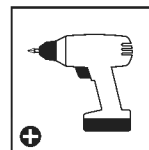
- Regla de nivel



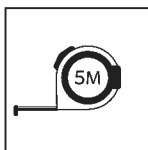
- Martillo de goma



- Aceite en aerosol



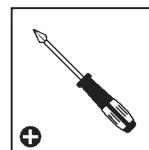
- Taladro inalámbrico: cabeza Philips



- Cinta métrica



- Llave 10 mm | 13/32"



- Destornillador de cabeza Philips

## ANTES DEL MONTAJE

1. Seleccionar un lugar:
  - El producto debe colocarse y fijarse en una superficie plana y nivelada.
  - escoja una ubicación soleada y apartada de árboles que la cubran.
2. Recomendamos encarecidamente que el producto se fije directamente sobre cimientos de cemento sólido. Para hacer esto, utilice los agujeros previamente taladrados en la base de metal.
3. Este montaje consta de varias partes y sería óptimo que lo realizaran dos personas. El proceso de montaje llevará alrededor de medio día.
4. Extraiga todas las piezas de componentes de sus embalajes. Ordene las piezas y compruebe que están todas usando la lista de contenidos.
5. Las piezas deberían colocarse cerca y tenerlas a mano. Ponga las piezas pequeñas (p. ej. tornillos) en un bol para no perderlas.
6. Por favor, tenga en cuenta que este producto incluye perfiles con múltiples superficies. Como resultado, algunos de los agujeros de los perfiles no se utilizan durante el montaje.
7. Por favor, revise todas las instrucciones antes de empezar. Siga los pasos del montaje en el orden exacto.
8. Consulte las limitaciones, requisitos, permisos y a las autoridades locales para la construcción de este cobertizo de jardín.

## DURANTE EL MONTAJE

- Puede utilizar espray lubricante de silicona para facilitar el deslizamiento de los paneles en los contorneos.
- No ponga espray en los paneles de policarbonato.
- Use un martillo de goma si hiciera falta.
- **Pasos 15, 16, 23, 24, 26, 34, 35, 38, 39, 40, 42, 47, 50:**  
**¡por favor,** tenga esto en cuenta! Cada uno de los 3 invernaderos viene con su conjunto de paneles compatibles según se muestra en la lista de contenidos y en los pasos de montaje pertinentes.



- Cuando encuentre el ícono de información, por favor lea con cuidado dicho paso con comentarios y asistencia adicionales.



- Este ícono indica que el instalador debe estar dentro del producto.



- Este ícono indica que el instalador debe estar fuera del producto.

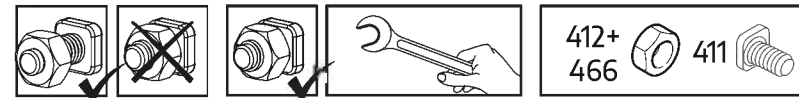


- Todos los paneles que tengan estampado LADO EXTERIOR (THIS SIDE OUT) deben mirar hacia fuera para ofrecer una protección UV completa. Quite la pegatina de plástico una vez los paneles se enganchen en su sitio.

## RECOMENDACIONES IMPORTANTES

- Conecte firmemente el producto a una superficie nivelada inmediatamente después de terminar el montaje.
- Por favor, tenga en cuenta: Anclar este producto al suelo es esencial para su estabilidad y rigidez. Es necesario completar esta fase para que su garantía sea válida.
- Durante el montaje, ponga algo suave por debajo de las piezas, para evitar que se rayen o estropeen.
- Apriete todos los tornillos una vez esté completado el montaje.
- Los tornillos **411** y las tuercas **412 & 466** son usados durante todo el proceso de montaje.
- Los tornillos **411** deben ser montados desde el exterior y las tuercas **412 & 466** desde el interior del invernadero.

- No apriete los tornillos y tuercas (**411 y 412 & 466**) más de 2-3 vueltas. No los apriete hasta terminar el montaje de los paneles, a menos que orientado de otra manera.
- Sin embargo, en algún paso puede ser necesario apretar de forma temporal algunos tornillos para evitar que se caiga un perfil.





## PASOS DE MONTAJE IMPORTANTES

**Al encontrar este icono de información durante el montaje, consulte el paso de montaje correspondiente para obtener importantes comentarios adicionales.**

**Paso 5:** las piezas **994 y 995** están en la parte trasera del invernadero. Al unirlos se establece la parte frontal del invernadero

**Pasos 8, 11:** El agujero oval en las vigas **256** debería ajustarse siempre a la base del invernadero.

**Paso 9:** **montaje de la puerta:** determina la dirección de la puerta. La pieza **987** es la parte donde se colocarán las bisagras de la puerta. La puerta puede instalarse para abrirse tanto a la derecha como a la izquierda. Estas instrucciones muestran una instalación de puerta que abre a la derecha.

**Paso 29:** **Montaje de ventana** decida la ubicación de la ventana antes del montaje. La ventana puede instalarse en una de las opciones indicadas.

**Paso 45:** En el caso de que la ventana no cierre adecuadamente, por favor, extraiga los tornillos, ajuste el perfil y apriete los tornillos.

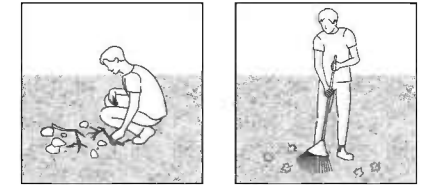


# הכנת האתר והיסודות

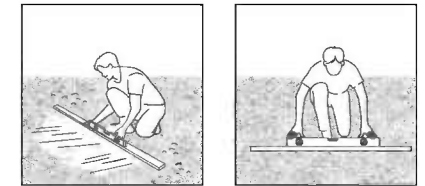
## א. הכן את האתר

את המוצר יש להקים על **קרקע יציבה ומפולסת** בכדי שהוא יתפקד כראוי.

### 1 - פנה את האתר



### 2 - פלס את הקרקע



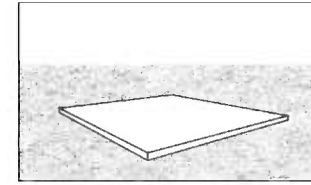
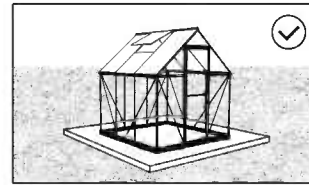
### חשוב

אנו ממליצים לבדוק האם יש מגבלות חוקיות להקמת מבנה זה באזורכם. בנוסף, אנחנו מציעים שתבדקו האם אתם חייבים להגיש טפסים כלשהם, האם יש צורך בהיתר לפני שאתם מתחילים בבנייתו של המוצר.

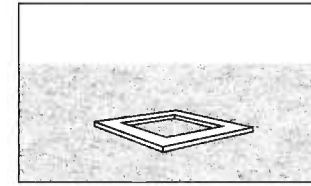
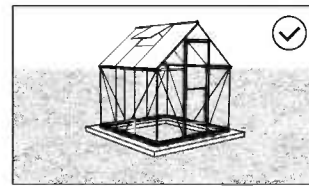
## ב. בחר את סוג היסודות שלך

בתור בסיס אנו ממליצים לעשות שימוש בשלושה סוגי חמרים: בטון | עץ שעבר טיפול הקשייה/דק עץ | בלוקים לריצוף

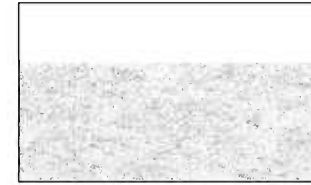
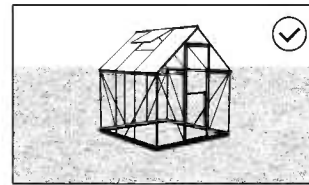
### אופציה ראשונה: בסיס מוצק



### אופציה שניה: מסגרת מוצקה

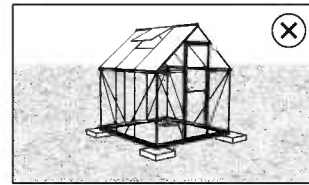


### אופציה שלישית: קרקע מהודקת / עשב



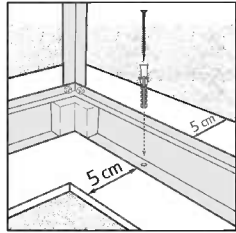
\* גודל החממה המוצג הינו להדגמה בלבד ולא מייצג את גודל החממה שלכם.

בלתי אפשרי

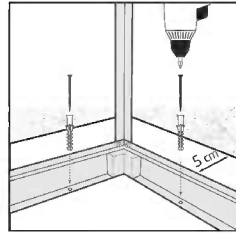


## ג. עגן את הבסיס

### על מסגרת מוצקה



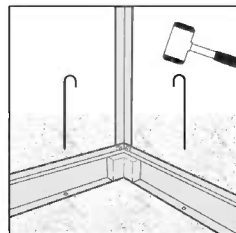
### על בסיס מוצק



חבר את המוצר לבסיס (יסוד) שבחרת והשתמש בברגים מתאימים וסגרים, או עוגני בנאות (לא סופקו).

וודאו שיש לכם לכול הפחות 5 סמ' בין מסגרת המוצר וקצות הבסיס (היסוד) - **בכול הצדדים**.

### על אדמה/עשב



חזק את המצור אל פני הקרקע תוך שימוש ביתדות ארוכים מתאימים (לא סופקו).

## הצעת בטיחות

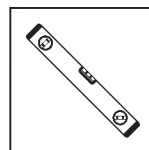
- יש להרכיב ולהרכיב את כל החלקים בהתאם להוראות. אין לדלג על שום שלב.
- אנו ממליצים מאד להשתמש בכפפות עבודה במהלך ההרכבה.
- בעת השימוש באלומיניום משוחל יש לנעול תמיד נעלי עבודה ומשקפי מגן.
- בשימוש בסולם או במכשירים חשמליים, יש למלא אחר הוראות הבטיחות של היצרן.
- יש להמנע מנגע של פרופילי האלומיניום עם כבלי חשמל עיליים.
- אין לנסות להרכיב את המוצר בזמן רוחות או תנאי רטיבות.
- בכדי למנוע סכנת חנק, יש להרחיק את חומרי האריזה מהישג ידם של ילדים.
- יש להרחיק ילדים מאזור ההרכבה.
- אין להישען על או לדחוף את המוצר בעת ההרכבה.
- אין למקם את המוצר במקום החשוף לרוחות חזקות.
- אין לנסות להרכיב את המוצר במצב עייפות, שימוש בסמים, תרופות או אלכוהול, או אם יש נטייה לסחרחורות.
- אין לאחסן במוצר פריטים חמים כגון גריל שנעשה בו שימוש לאחרונה, מבערים וכד'.
- יש לוודא כי אין בקרקע צינורות נסתרים או כבלים לפני הכנסת היתדות.
- מוצר זה תוכנן לשמש בעיקר כחממה.

## טיפול ותחזוקה

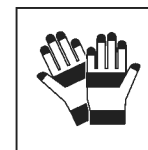
- כדי לנקות את המוצר יש להשתמש בסבון עדין ולרחוץ במים קרים נקיים.
- אין להשתמש באצטון, חומרי ניקוי שוחקים וסבונים מיוחדים.
- יש לנקות את המוצר בסיום ההתקנה.

## כלים וציוד

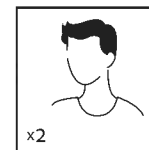
פלס מים



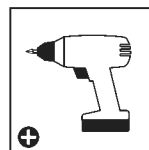
כפפות עבודה



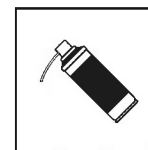
נחוצים שני אנשים



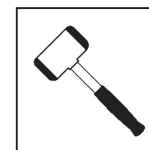
מקדחה ניידת עם ראש פיליפס



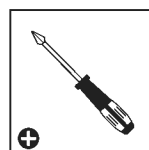
ספריי שימון



פטיש גומי



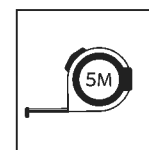
מברג פיליפס



מפתח 10 mm | 13/32"



סרט מדידה



## לפני ההרכבה

1. בחר בתשומת לב את מיקום ההרכבה לפני תחילת ההרכבה.
2. על הקרקע להיות שטוחה ומפולסת לחלוטין ובעלת בסיס מוצק כגון: בטון, אספלט, דק מעץ וכו'.
3. יש לבחור אזור שטוף-שמש, רחוק מהעצים.
4. אין למקם את המוצר באזור חשוף לרוחות חזקות.
5. יש למקם את המוצר ולקבע אותו על משטח שטוח. אנו ממליצים לקבע את המוצר ישירות לבסיס מוצק. אנא השתמש בחורים הקדווחים מראש בבסיס הפלדה. אנא הכן את האתר לפני פריקת החלקים והתחלת הרכבה.
6. יש למיין את החלקים ולבדוק כמויות אל מול רשימת התכולה.
7. יש להניח את חלקי ההרכבה בקרבה למקום ההרכבה. שמור את החלקים הקטנים בקערה על מנת שלא יאבדו.
8. אנא בדוק מול הרשויות באם יש צורך בהיתרים כלשהם טרם הרכבת המוצר.

## במהלך ההרכבה

- ניתן להשתמש בספריי סיליקון בכדי לסייע לך להשחיל את הלוחות אל תוך הפרופילים.
- אין להתיז ספריי סיליקון על לוחות הפולי קרבונט.
- במידת הצורך, השתמש בפטיש גומי.
- **שלבים 15, 16, 23, 24, 26, 34, 35, 38, 39, 40, 42, 47, 50:**  
**שימו לב!** כל אחד משלושת החממות מגיע עם קיט הפנלים המתאים לה כפי שזו מופיעה ברשימת תכולת החלקים ובשלבי ההרכבה הרלוונטיים.

• כאשר מופיע סימן זה, נא לעיין בשלב ההרכבה המצוין כדי לקרוא הערות ומידע נוסף.



• סמל זה מצוין שעל המרכיב להיות בתוך המוצר.



• סמל זה מצוין שעל המרכיב להיות מחוץ למוצר.



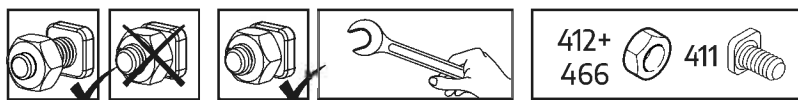
• נא לשים לב שהלוחות מורכבים כאשר החלק המוגן נגד UV כלפי חוץ (מצוין עליו "THIS SIDE OUT") ולקלף בסיום את המדבקה כאשר הלוחות מונחים ונעולים במקומם.



## המלצות חשובות

- עיגון המוצר לקרקע חיוני ליציבות ועמידותו. מיד לאחר השלמת ההרכבה, יש לעגן מיד את המוצר היטב כשהקרקע במצב מפולט. תוקף האחריות תלוי בהשלמת שלב זה.
- בעת ההרכבה, השתמש במשטח רך מתחת לחלקים בכדי למנוע שריטות ונזק.
- הדק את הברגים היטב בסיום ההרכבה.
- ברגים 411 ואומים 412 ו 466 משמשים במהלך כל תהליך ההרכבה.
- ברגים 411 יורכבו מבחוץ ואומים 412 ו 466 יורכבו מחלקה הפנימי של החממה.

- שים לב אם לא צוין אחרת, אין להדק את הברגים והאומים יותר מאשר 2-3 סיבובים בלבד. אין להדק אותם לפני סיום הרכבת הלוחות. 2 סמלים אלה מציינים האם נחוץ הידוק או לא.
- בחלק מהשלבים, הידוק זמני של הברגים עשוי להיות נחוץ בכדי למנוע את נפילתו של פרופיל.



## שלבים חשובים בהרכבה



כאשר אתם רואים את הסמל הזה במהלך ההרכבה, אנא פנו אל שלב ההרכבה לקבלת הערות חשובות נוספות.

**שלב 5:**

חלקים 994, 995 מיועדים לחלק האחורי של החממה. חיבורם קובע את הצד הקדמי של החממה.

**שלבים**

**8, 11:**

החור האובלי במוטות הרוחב 256 יחובר תמיד אל בסיס החממה.

**שלב 9:**

**הרכבת הדלת:** קבע את כיוון הדלת. חלק מס' 987 הוא הצד אליו יחוברו צירי הדלת. ניתן להרכיב את הדלת או לפתיחה ימנית או לפתיחה שמאלית. הוראות הרכבה אלה מציינות הרכבה ימנית של הדלת.

**שלב 29:**

**הרכבת חלון:** לפני ההרכבה, החלט היכן למקם את החלון. ניתן להרכיב את החלון בהתאם לאחת האפשרויות המצוינות.

**שלב 45:**

אנא הדקו את הברגים מהצד הפנימי של החממה. בנוסף, אנא הדקו את הברגים הרופפים שעדיין נותרו.

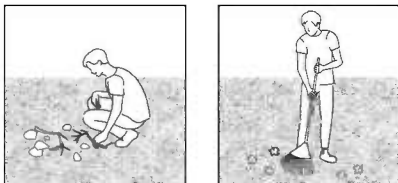
ט.ל.ח

# FÖRBEREDELSE AV OMRÅDE OCH STIFTELSE

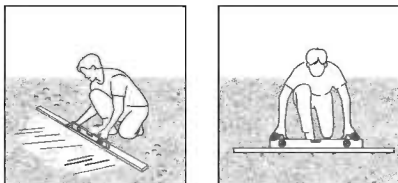
## A - FÖRBEREDA OMRÅDET

Produkten måste vara på en **fast och plan yta** för att fungera korrekt.

### 1 - Rensa området



### 2 - Platta marken



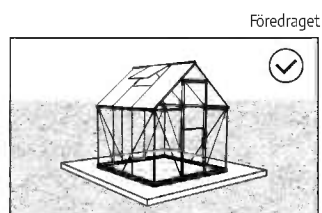
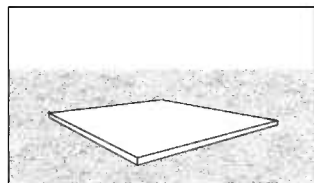
#### VIKTIG

Vi rekommenderar att du kontrollerar begränsningarna och begränsningarna för konstruktionen av denna produkt i ditt område. Dessutom rekommenderar vi att du kontrollerar om du behöver fylla i formulär eller ansöka om tillstånd innan du bygger produkten.

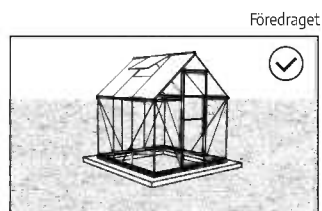
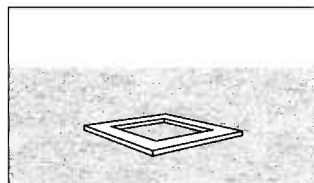
## B - VÄLJ GRUNDTYP

Som bas rekommenderar vi tre typer av material:  
Betong | Tryckbehandlat trä / trägolv | Beläggingssten

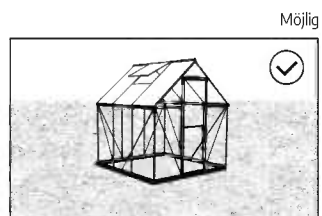
### Alternativ 1: solid bas



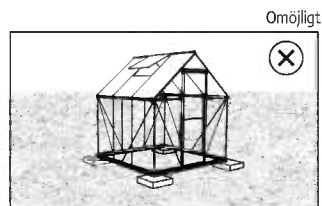
### Alternativ 2: Solid ram



### Alternativ 3: fast mark / gräs

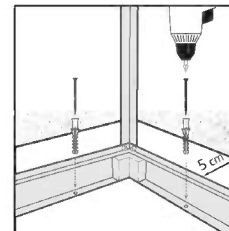


\* Växthusets storlek är endast för att illustrera och visar inte rätt storlek på ditt växthus.

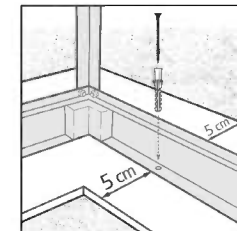


## C - FEST FÖR STIFTELSE

### På en solid bas



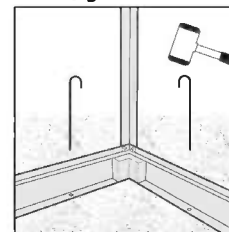
### På en solid ram



Asegure el producto a los cimientos de su elección, usando tornillos y tacos adecuados o anclajes de mampostería (no suministrados).

Se till att du har minst 5 cm | 2" mellan produktens bas och kanterna på fundamente - **på alla sidor.**

### Mark / gräs



Fäst produkten på ytan med mark / gräs med lämpliga markkrokar (ingår ej).

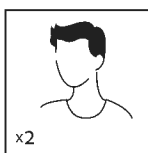
## SÄKERHETSÅD

- Följ monteringsanvisningarna i den ordning som anvisas i instruktionerna, hoppa inte över något steg.
- Vi rekommenderar att handskar, skor och skyddsglasögon alltid används då man arbetar med metallprofiler.
- Vid användning av stege, redskap och bormaskin, följ tillverkarens säkerhetsråd.
- Var noga med att inte komma i kontakt med elkablar då metallprofiler hanteras.
- Undvik att montera produkten i dåligt, blåsig väder eller regn.
- Ta väl hand om all plastpåsar och se till att de är utom räckhåll för barn.
- Låt inte barn vistas på monteringsplatsen och håll omgivningen snygg.
- Luta eller tryck inte på produkten under montering.
- Välj omsorgsfullt platsen för produkten så att det inte påfrestas av kraftig vind eller extra snö.
- Försök inte att sätta ihop denna produkt om du är trött, har tagit droger, druckit alkohol eller om du brukar ha yrselattacker.
- Heta föremål som en nyligen använd grill, blåslampa eller dyligt får inte förvaras i produkten.
- Försäkra att det inte finns några dolda rör eller kablar i marken innan du slår ner metallfästena för att förankra produkten.
- Denna produkt har utformats för att huvudsakligen användas som en produkt.
- **Observera:** Vi rekommenderar starkt att förankra produkten direkt i en solid grund för att öka produktens stabilitet och vindmotstånd i områden med svåra väderförhållanden. Säkerställ att det inte finns några hinder mellan förankringsområdet och den slutliga positionen för produkten. Palram - Canopia förankringsset finns tillgängligt för köp separat.

## RENGÖRINGSINSTRUKTIONER

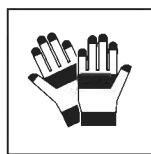
- Vid rengöring av produkt, använd ett mildt rengöringsmedel och skölj med kallt rent vatten.
- Använd inte aceton, rengöringsmedel innehållande slipmedel, eller andra specialmedel för att rengöra panelerna.
- Gör ren produkten när ihopsättningen är klar.

## VERKTYG OCH REDSKAP

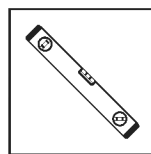


Två personer behövs

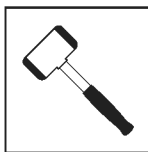
x2



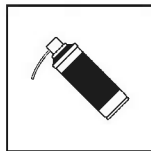
Arbetshandskar



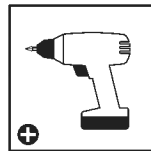
Far



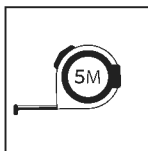
Gummiklubba



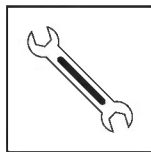
Smörjmedel spray



Trådlös borrar -  
Phillips-huvud



Måttband



Rycka  
10 mm | 13/32"



stjärnskruvmejsel

## FÖRE MONTERING

1. Välj plats noggrant innan du påbörjar monteringen.
2. Markytan måste vara helt platt och jämn och ha en fast bas såsom betong, asfalt, däck etc.
3. Välj en solig plats utan överhängande träd.
4. Välj omsorgsfullt platsen för produkt så att det inte påfrestas av kraftig vind eller extra snö.
5. Produkt måste placeras på en fast och plant underlag.
6. Vi rekommenderar absolut att detta produkt säkras direkt på en solid cementgrund. När detta görs bör man använda de förborrade hålen i metallramen.
7. Förbered byggplatsen klart, innan du packar upp delar och påbörjar montering.
8. Sortera delarna och kontrollera mot komponentlistan.
9. Delarna bör läggas ut nära dig. Ha alla små delar (skruvar etc.) i en skål så att de inte försvinner.
10. Kontakta dina lokala myndigheter hurvida tillstånd krävs innan byggnation av produkten.

## UNDER MONTERING

- Du kan använda siliconsprej för panelerna lättare skall glida in i profilerna.
- Spreja inte på polycarbonat-panelerna.
- Använd en gummiklubba om nödvändigt.
- **Steg 15, 16, 23, 24, 26, 34, 35, 38, 39, 40, 42, 47, 50:**  
**Observera!** Vart och ett av de 3 växthusen levereras med sin kompatibla centralapparatsats såsom visas i innehållslistan och i de relevanta monteringsstegen.



- När du ser en informationsikon så refererar den till det relevanta monteringsmomentet för fler förklaringar och assistans.



- Denna ikon anger attinstallatören bör befinna sig inne i produkten.



- Denna ikon anger attinstallatören bör befinna sig utanför produkten.

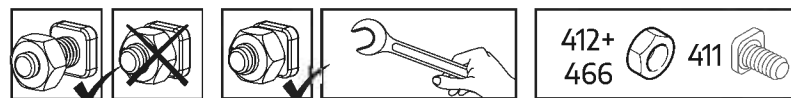


- Alla paneler stämplade med orden "THIS SIDE OUT" måste vändas utåt för att skapa ett fullt UV-skydd. Avlägsna klistermärken allteftersom panelerna är låsta på plats.

## VIKTIGA REKOMMENDATIONER

- Sätt fast produkt på ett horisontellt plant underlag efter att monteringen är klar. Förankring av denna produkt på marken är nödvändigt för stabilitet och styvhet.
- Det är nödvändigt att slutföra det här steget för att din garanti ska gälla.
- Det är rekommenderat att använda en kartong eller annat mjukt material under det nedsänkta hörnet för att undvika repor och avskrapning av färg.
- Drag åt alla skruvar islutet av monteringen.
- Skruv 411 och mutter 412 & 466 används genom hela monteringsprocessen.
- Skruv 411 ska monteras från utsidan och mutter 412 & 466 från växthusets insida.
- Om inte annat anges, dra inte åt skruv och mutter (411, 412 & 466) mer än 2-3 varv.

- Dra inte åt dem förrän monteringen av panelerna är avslutad. Dessa två ikoner anger om du behöver dra åt skruv eller inte.
- I vissa steg kan emellertid temporär åtdragning av ett par skruvar vara nödvändigt för att förhindra att en profil faller ner.



412+  
466



411





## VIKTIGA MONTERINGSSTEG

**När du ser denna ikon under montering, se relevant monteringssteg för viktiga ytterligare kommentarer.**

- Steg 5:** Del **994, 995** finns bak i växthuset.  
Deras placering bestämmer framsidan på växthuset.
- Steg 8, 11:** Det ovala hålet i tvärstaget **256** skall alltid monteras på växhusets bas.
- Steg 9:** **Montering av dörren:** Bestämmer dörrens riktning.  
Del nr **987** är där den sida dörren hängs på finns.  
Dörren kan installeras antingen som höger- eller vänsterhängd.  
De här instruktionerna visar en högerhängd dörr.

- Steg 29:** **Fönstermontage:** Bestäm fönstrets placering före monteringen. Fönstret kan installeras enligt något av de indikerade alternativen

- Steg 45:** Om fönstret inte stängs ordentligt lättar man på skruven, justera profilen och dra åt skruven.

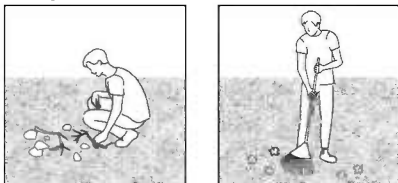


# FORBEREDELSE AV OMRÅDE OG FUNDAMENT

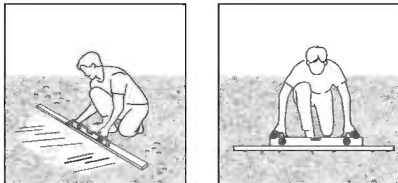
## A - FORBERED OMRÅDET

Produktet må være på en **solid og flat** overflate for å fungere korrekt.

### 1 - Rydd området



### 2 - Flat ut bakken



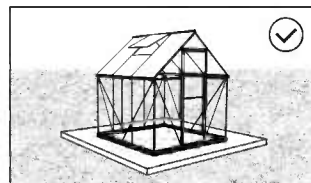
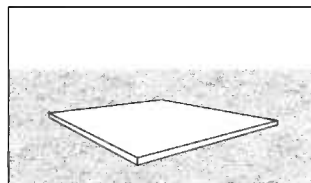
#### VIKTIG

Vi anbefaler at du sjekker restriksjoner og begrensninger for konstruksjon av dette produktet i ditt område. I tillegg anbefaler vi at du sjekker om du må fylle ut skjemaer eller søke om tillatelser før du bygger produktet.

## B - VELG FUNDAMENTTYPE

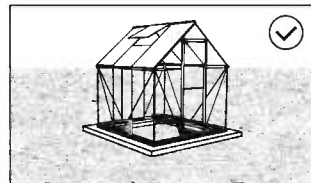
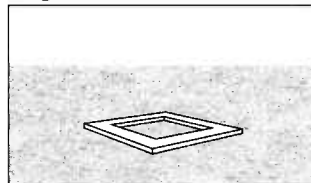
Som base anbefaler vi tre typer materiell:  
Betong | Trykkbehandlet tre/tredekke | Belegningsstein

### Valg 1: Solid base



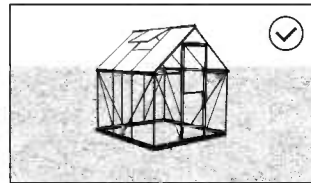
Foretrukket

### Valg 2: Solid ramme



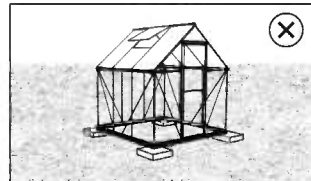
Foretrukket

### Valg 3: Solid bakke/gress



Mulig

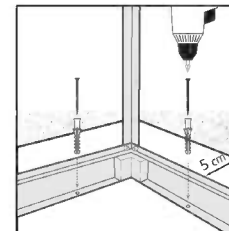
\*Drivhusets størrelse er bare for illustrasjon, og viser ikke korrekt størrelse på ditt drivhus.



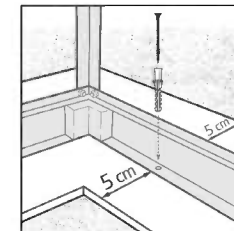
Ikke mulig

## C - FEST TIL FUNDAMENT

### På en solid base



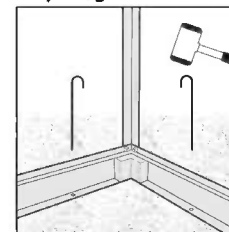
### På en solid ramme



Sikrer du produktet til fundamentet du har valgt med passende skruer, plugger eller murfester (ikke inkludert).

Forsikre deg om at du har minst 5 cm | 2" mellom bunnen av produktet og kantene på fundamentet ditt - **på alle sider**.

### På jord/gress



Må du sikre produktet til overflaten ved hjelp av passende bakkekroker (ikke inkludert).

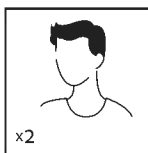
## SIKKERHETSÅD

- Utfør monteringen i henhold til disse anvisningene.
- Bruk vernehansker.
- Bruk sko og vernebriller ved arbeid med aluminiumsprofiler.
- Følg produsentens sikkerhetsanvisninger for verktøy og annet utstyr.
- Pass på at aluminiumsprofilene ikke kommer i kontakt med strømkabler eller ledninger.
- Ikke forsøk å montere produktet når det blåser eller regner.
- Emballasjen skal avhendes i henhold til gjeldende regler. Oppbevar plastposer utilgjengelig for barn – kvelningsfare.
- Hold barn på trygg avstand fra arbeidsområdet.
- Ikke trykk eller vipp på produktet under monteringen.
- Ikke plasser produktet slik at det utsettes for sterk vind.
- Forsøk aldri å montere produktet hvis du er trøtt eller påvirket av narkotika, legemidler eller alkohol.
- Varmt gjenstander som for eksempel brukte griller, blowtorches etc. må ikke lagres inne i produktet.
- Kontroller at det ikke ligger skjulte rør eller kabler i bakken før du trykker ned pinnene.
- Dette produktet ble laget for å brukes i hovedsak som drivhus.
- **Merk:** Vi anbefaler på det sterkeste å forankre produktet direkte i et solid fundament for å øke produktets stabilitet og vindmotstand i områder med tøffe værforhold. Forsikre deg om at det ikke er noen hindringer mellom forankringsområdet og produktets endelige posisjon. Palram - Canopia forankringssett kan kjøpes separat.

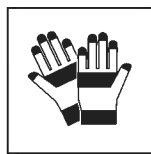
## VEDLIKEHOLD OG RENGJØRING

- Rengjør produktet med mildt rengjøringsmiddel og skyll med kaldt vann.
- Bruk ikke aceton, slipende rengjøringsmidler eller andre kjemikalier på degjennomsiktige delene.
- Rengjør produktet når monteringen er ferdig.

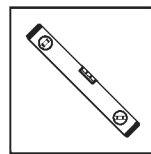
## VERKTØY OG UTSTYR



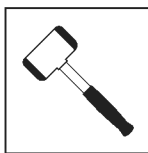
To personer nødvendig



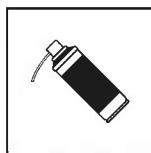
Arbeidshansker



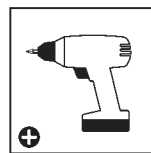
Vater



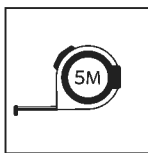
Gummihammer



Smøremiddelspray



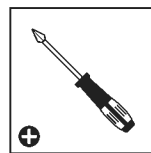
Trådløs drill - Phillips-hode



Målebånd



Skiftenøkkel  
10 mm | 13/32"



Phillips skrutrekker

## FØR MONTERING

1. Velg grunnlaget med omhu før du monterer.
2. Produkt må plasseres og festes på et flatt underlag.
3. Velg en solrik beliggenhet uten overhengende trær.
4. Ikke plasser produktet slik at det utsettes for sterk vind.
5. Produkt må plasseres og festes på et flatt underlag.  
Vi anbefaler sterkt at dette produkt plasseres direkte på et betongunderlag.  
For dette formålet bruker du de forhåndsdrillede hullene i metallbasen.
6. Gjør klar plasseringsområdet før du pakker ut deler og begynner monteringen.
7. Sorter delene og sjekk dem opp mot delelisten.
8. Delene bør legges ut slik at du lett kan nå dem. Hold alle små deler (skruer osv) i en bolle slik at de ikke forsvinner.
9. Kontakt lokale myndigheter for å se om du trenger byggetillatelse for å sette opp dette produkt.

## UNDER FORSAMLINGEN

- Du kan bruke silikonspray for å hjelpe med at panelene sklir inn i profilene.
- Ikke spray paneler laget av polykarbonat.
- Bruk gummihammer hvis nødvendig.
- **Steg 15, 16, 23, 24, 26, 34, 35, 38, 39, 40, 42, 47, 50:**  
**Vennligst noter!** Hver av de 3 drivhusene, kommer med sine kompatible panel-sett, som vist på innholdsliste og den relevante bruksanvisningen.



- Under monteringen vil du møte på informasjonsikonet, hvor det henvises det til det relevante monteringsstrinnet for flere kommentarer og hjelp.



- Dette symbolet indikerer at montøren skal befinne seg på utsiden.



- Dette symbolet indikerer at montøren skal befinne seg på innsiden.

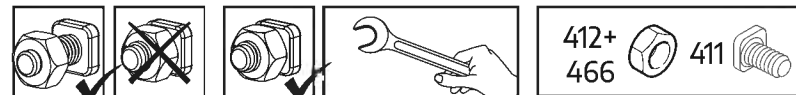


- Alle panelene med de stemplede ordene "THIS SIDE OUT" må vendes ut for å danne fullstendig UV-beskyttelse. Fjern plastfilmen når panelene er festet på plass.

## IMPORTANT RECOMMENDATIONS

- Fest produkt godt til et underlag Posisjoner straks etter at monteringen er fullført.
- Vennligst bemerk: For å sikre produktets stabilitet er det essensielt å forankre produktet i bakken. Det er nødvendig å fullføre dette steget for at garantien skal være gyldig.
- Det anbefales å bruke kartong eller et annet mykt materiale under det senkede hjørnet for å unngå riper og malingskader.
- Stram alle skruer når du er ferdig med monteringen.
- Skrue **411** og mutter **412 & 466** brukes på mange steder under monteringen.
- Skrue **411** monteres utenfra og mutter **412 & 466** innenfra.

- Ikke stram til skrue og mutter **411, 412 & 466** mer enn 2-3 omdreininger.  
Hvis ikke annet angis, skal de ikke strammes før alle paneler er montert.
- Imidlertid kan være nødvendig å midlertidig stramme enkelte skruer for noen av trinnene for å hindre av profilen faller.





## VIKTIGE MONTERINGSTRINN

Når du ser dette ikonet under montering, vennligst se relevant monteringstrinn for viktige tilleggskommentarer.

**Trinn 5:** Del 994 og 995 er på baksiden av drivhuset. Når de festes avgjøres forsiden av drivhuset.

**Trinn 8, 11:** Det ovale hullet i tverrstengene A256 bør alltid være montert på undersiden av drivhuset.

**Trinn 9:** **Dørmontering:** Avgjør retningen av døra. Del # 987 er den siden hvor dørhengslene skal plasseres. Døra kan installeres enten som venstre- eller høyrevendt dør. Disse instruksjonene viser en høyrevendt dørmontering.

**Trinn 29:** **Vindumontering:** Finn plasseringen av vinduet før montering. Vinduet kan installeres i en av de angitte mulighetene.

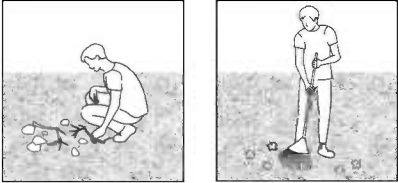
**Trinn 45:** Hvis vinduet ikke lukkes skikkelig, løsne på skruene, juster profilen og stram til skruene igjen.

# RAKENNUSALUEEN VALMISTELU & RAKENNUSPOHJA

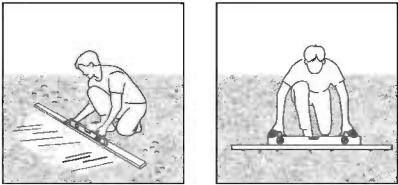
## A - VALMISTELE RAKENNUSALUE

Tuote on rakennettava **vakaalle ja tasaiselle alustalle**, jotta se toimisi oikein.

### 1 - Raivaa rakennusalue



### 2 - Tasoita maa



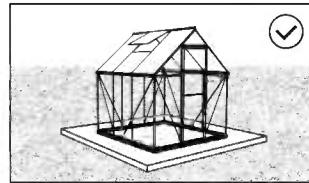
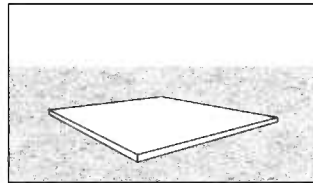
### TÄRKEÄÄ

Suosittelimme, että tutustut tämän tuotteen rakentamiseen liittyviin rajoituksiin tai sopimuksiin alueellasi. Lisäksi suosittelimme, että tarkistat, onko sinun toimitettava lomakkeita tai hankittava lupa ennen tuotteen rakentamista.

## B - VALITSE RAKENNUSPOHJAN TYYPI

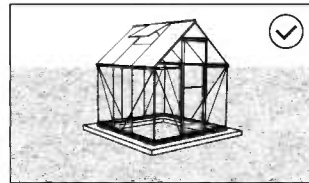
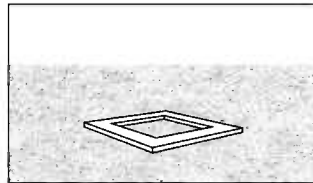
Rakennuspohjaksi suosittelemme kolmea materiaalityyppiä:  
Betoni | Paine käsitelty puu/puukansi | Kiveyselementit

### Vaihtoehto 1: Kiinteä rakennuspohja



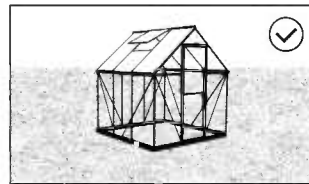
Suositteltu

### Vaihtoehto 2: Kiinteä kehys



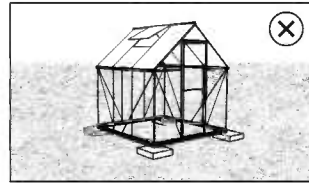
Suositteltu

### Vaihtoehto 3: Kova maa / ruohikko



Mahdollinen

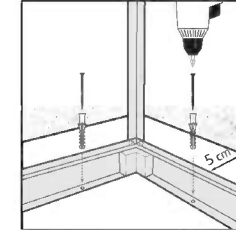
\* Esillä olevan kasvihuoneen koko on tarkoitettu vain havainnollistamistarkoituksiin eikä se välttämättä vastaa kasvihuoneesi kokoa.



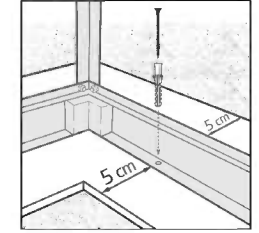
Ei mahdollinen

## C - RAKENNUSPOHJAN ANKKURI

### Kiinteälle rakennuspohjalle



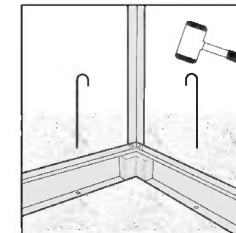
### Kiinteään kehykseen



Mikäli tuote rakennetaan kiinteälle rakennuspohjalle, kiinnitä tuote valitsemaasi rakennuspohjaan sopivilla ruuveilla & tapeilla tai muurausankkureilla (ei sisälly toimitukseen).

Varmista, että sinulla on vähintään 5 cm | 2" tilaa tuotteen alustan ja perustuksen reunojen välillä – **kaikilla puolilla**.

### Kiinnitä tuote



Mikäli tuote rakennetaan maaperään tai ruohikkoon, kiinnitä tuote maahan pitkillä tapeilla (ei sisälly toimitukseen).

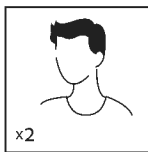
## TURVALLISUUSOHJEET

- Ensisijaisen tärkeätä on noudattaa asennusohjeen järjestystä ja ohjeita – älä jätä mitään tekemättä.
- Suosittelemme suojakäsineiden käyttöä asennustyössä.
- Käytä aina tukevia kenkiä ja suojalaseja työskennellessäsi metallituotteiden kanssa.
- Jos käytät tikkaita, apuvälineitä, akkuporakonetta - varmista aina myös työkalu valmistajan käyttöohjeet.
- Älä kosketa sähköjohtoja tai lähteitä metallisten esineiden kanssa.
- Älä yritä pystyttää / asentaa kasvihuonetta tuulisella, sateisella tai huonolla säällä.
- Hävitä huolellisesti kaikki muoviset pakkaustuotteet ja varmista ettei ne pääse pienten lasten lähetyville.
- Pidä lapset loitolla työskentely alueelta ja pidä myös alue aina siistinä.
- Älä työnnä tai nojaa kasvihuoneen rakenteisiin asennusvaiheen aikana.
- Valitse huolella kasvihuoneen sijainti, siten ettei se ole alltiina kovalle tuulelle tai ylimääräisille lumikuormille.
- Älä yritä asentaa tätä kasvihuonetta puolikuntoisena, väsyneenä, päihteiden taikka lääkeytyksen vaikutuksen alaisena.
- Kuumat tuotteet kuten grillit, polttotyökalut, terassilämmittimet tulee säilöä muulla kuin kasvihuoneessa.
- Varmista että maahankinnitys on turvallista ja ettei maaperässä ole putkia tai sähköjohtoja.
- Tämä tuote on suunniteltu käytettäväksi pääosin as kasvihuoneeksi.
- **Huomaa:** Suosittelemme vahvasti ankkuroimaan tuotteen suoraan kiinteälle perustukselle sen vakauden ja tuulenkeston parantamiseksi alueilla, joissa esiintyy ankaria sääolosuhteita. Varmista, että tuotteen kokoamisalueen ja sen lopullisen sijoituspaikan välillä ei ole esteitä. Palram - Canopia- ankkurointisarja voidaan ostaa erikseen.

## PUHDISTUSOHJEET

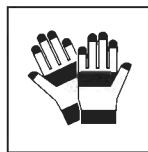
- Puhdista tuote miedolla pesuaineliuksella ja huuhtele puhtaalla vedellä.
- Älä käytä paneelien puhdistukseen asetonia, hankaavia tai muita erikoispesuaineita.
- Puhdista tuote kokoamisen jälkeen.

## TYÖKALUT &amp; VÄLINEET

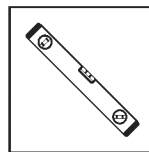


Vaatii kaksi henkilöä

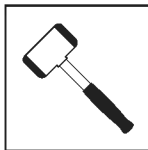
x2



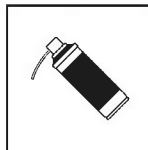
Työkäsineet



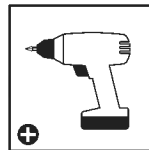
Vatupassi



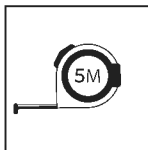
Kumivasaraa



Voitelusuihke



Langaton pora - ristipää



Mittanauha



Kiintoavain  
10 mm | 13/32"



Ristipäinen ruuvimeisseli

## ENNEN KOKOAMISTA

1. Valitse paikka huolellisesti ennen kokoamista.
2. Maan pinnan on oltava täysin tasainen ja suora, ja perustan oltava kiinteä, kuten betoni, asfaltti, puukansi, jne.
3. Valitse aurinkoinen paikka, jonka yllä ei roiku oksia.
4. Valitse huolella produkt sijainti, siten ettei se ole alttiina kovalle tuulelle tai ylimääräisille lumikuormille.
5. Huomaa: Tämä tuote on ankkuroitava tasatulle pinnalle ja kiinteään perustukseen, jotta varmistetaan sen vakaus. Varmista, että ruuvit ja ankkurit ovat yhteensopivia perustustyyppin kanssa. Varmista, että kokoamisalueen ja lopullisen sijoituspaikan välillä ei ole esteitä.
6. Tee paikan valmistelut valmiiksi ennen kuin purat osta pakkauksesta ja aloitat kokoamisen.
7. Lajittele osat ja tarkasta ohjeen mukainen sisältö.
8. Osat on sijoitettava käden ulottuville. Pidä kaikki pienet osat (ruuvit yms.) astiassa, jotta ne eivät pääse hukkumaan.
9. Kysy tarvittaessa paikallisten viranomaisten lupaa katoksen pystyttämiseen.

## ASENNUKSEN AIKANA

- Voit käyttää silikonisprayta apuna paneelien liu'uttamisessa profiileihin.
- Älä käytä sprayta polykarbonaattipaneelisiin.
- Käytä tarvittaessa kumivasaraa.
- **Vaiheet 15, 16, 23, 24, 26, 34, 35, 38, 39, 40, 42, 47, 50:**  
**Huom!** Kaikki 3 kasvihuonetta toimitetaan yhteensopivan paneelisarjan kanssa, kuten esitetty sisältöluettelossa ja vastaavissa kokoonpanovaiheissa.



- Kohdattaessasi tietokuvakkeen, katso asiankuuluvaa kokoonpanovaihetta lisäkommentteja ja apua varten.



- Tämä kuvake osoittaa, että asentaja pitäisi olla tuotteen ulkopuolella



- Tämä kuvake osoittaa että asentajan pitäisi olla tuotteen sisällä

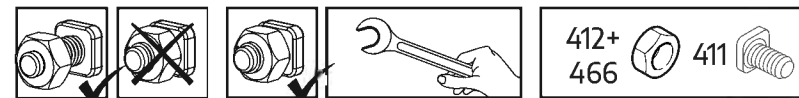


- Kaikki paneelit, joihin on leimattu sanat "THIS SIDE OUT" ("tämä puoli ulospäin") on asetettava ulospäin, jotta syntyy täysi UV-suojaus. Poista muovitarat, kun paneelit on lukittu paikoilleen.

## TÄRKEITÄ SUOSITUKSIA

- Kiinnitä produkt tukevasti vaakasuoralle alustalle heti kokoamisen jälkeen. tuotteen ankkurointi maahan on välttämätöntä sen vakauden ja jäykkyyden kannalta. Se vaaditaan tässä vaiheessa, jotta takuu olisi voimassa.
- Kiristä kaikki ruuvit täyttäessään kokoonpano.
- Käytä pehmeää alustaa estääksesi naarmut ja vahingot.
- Kiristä kaikki ruuvit asennuksen loppuksi.
- Ruuvit **411** ja mutterit **412 & 466** ovat yleisesti käytössä koko kasvihuoneen osalta.
- Ruuvit **411** asennetaan ulko sisäänpäin ja mutterit **412 & 466** kiristetään sisäpuolelta

- Älä kiristä tiukkaan alkuvaiheessa ruuveja ja muttereita (**411, 412 & 466**) sormitkiristystä enempää.
- Tarvitset ruuvien suomaan säätöväljyyttä levykiinnityksiin asti. Lopussa kaikki liitokset tulee kiristää työkaluilla tiukasti kiinni.
- Joissakin vaiheissa muutaman ruuvin väliaikainen kiristys voi olla kuitenkin tarpeen tukirangan kaatumisen estämiseksi.





## TÄRKEÄT ASENNUSVAIHEET

**Kun näet tämän tietokuvakkeen asennuksen aikana, katso tärkeät lisähuomautukset olennaisesta asennusvaiheesta.**

**Vaihe 5:** Osat **994** ja **995** ovat kasvihuoneen takaosassa. Niiden kiinnittäminen määrää kasvihuoneen etuosan

**Vaihe 8, 11:** **256**-poikkirautojen soikeat reiät tulee aina kiinnittää kasvihuoneen pohjaan.

**Vaihe 9:** **Oven asennus:** Määrää oven suunnan. Osa nro. **987** on se, johon oven saranat tulevat. Oven voi asentaa vasemmalle tai oikealle aukeavaksi. Nämä ohjeet ovat oikealle avautuvan oven mukaiset.

**Vaihe 29** **Ikkunan asennus:** Päätä ikkunan sijainti ennen asennusta. Ikkuna voidaan asentaa johonkin osoitetuista paikoista.

**Vaihe 45:** Jos ikkuna ei sulkeudu oikein, irroita ruuvit, säädä tukirankaa ja kiristä ruuvit uudelleen.

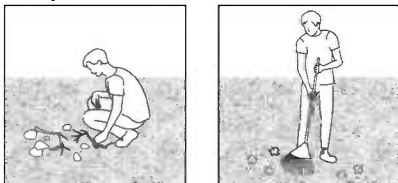


# FORBEREDELSE AF OMRÅDE OG FUNDAMENT

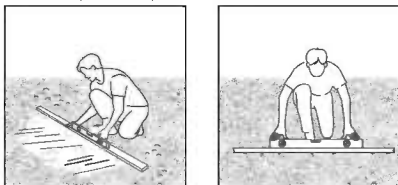
## A - FORBERED OMRÅDET

Produktet skal bygges på en **solid og plan** overflade for at kunne fungere ordentligt.

### 1 - Ryd stedet



### 2 - Gør jorden jævn



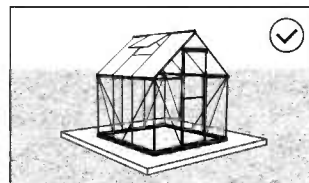
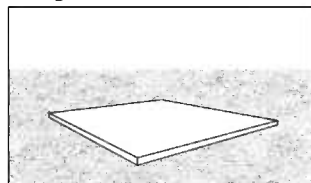
#### VIGTIGT

Vi anbefaler at kontrollere for begrænsninger eller regler for at bygge dette produkt i dit område. Derudover råder vi til at kontrollere, om du har brug for at indsende nogen formularer, eller om der kræves tilladelse, før du bygger produktet.

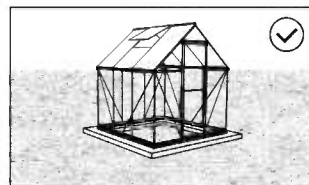
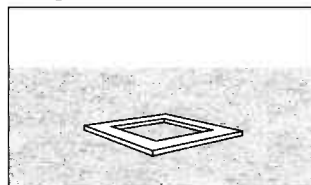
## B - VÆLG DIN FUNDAMENTTYPE

Til en base anbefaler vi at bruge tre materialetyper:  
Beton | Trykbehandlet træ/trædæk | Udlægningsblokke

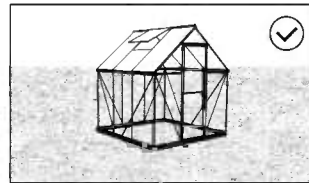
### Mulighed 1: Solid base



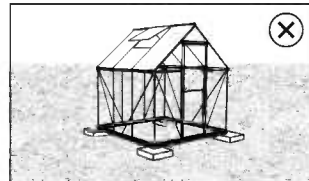
### Mulighed 2: Solid ramme



### Mulighed 3: Fast jord/græs

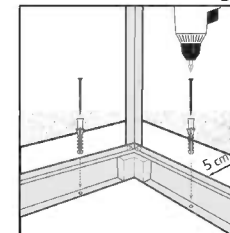


\* Størrelsen på det viste drivhus er kun til illustration og afspejler muligvis ikke størrelsen på dit drivhus.

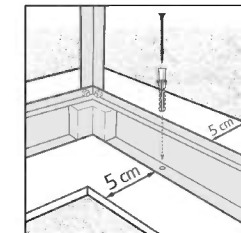


## C - FASTGØRELSE TIL FUNDAMENTET

### På et solidt underlag



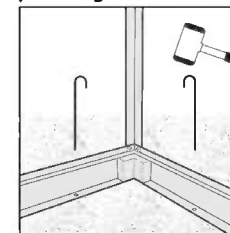
### På en solid ramme



Skal du fastgøre produktet til det fundament, du vælger, ved hjælp af passende skruer & stik eller murankre (medfølger ikke).

Skal du sørge for at have mindst 5 cm | 2" mellem produktrammen og kanterne på dit fundament - på alle sider.

### jorden/græsset



Fastgør produktet på jorden/græsset på jordoverfladen ved hjælp af passende lange pløkker (medfølger ikke).

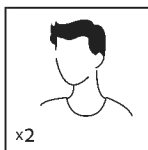
## SIKKERHEDSRÅD

- Det er meget vigtigt, at alle dele samles i henhold til anvisningerne. Spring ikke noget trin over.
- Vi anbefaler stærkt, at der anvendes arbejdshandsker under samlingen.
- Vær altid iført sko og anvend sikkerhedsbriller, når der arbejdes med ekstruderet aluminium.
- Hvis der bruges en trappestige eller elektrisk værktøj, skal producentens sikkerhedsanvisninger følges.
- Berør ikke luftledninger med aluminiumsprofilerne.
- Forsøg ikke at samle produktet, når det blæser eller er vådt i vejret.
- Bortskaf alle plastikposer på sikker måde. Hold dem udenfor små børns rækkevidde.
- Hold børn væk fra stedet, hvor samlingen foregår.
- Læn dig ikke mod produktet og skub ikke til det under monteringen.
- Anbring ikke produktet på et sted med kraftig vind.
- Forsøg ikke at samle produktet, hvis du er træt, er under indflydelse af narkotika, medicin eller alkohol, eller hvis du har tendens til svimmelhed.
- Varme ting såsom netop brugte griller, blæselamper osv må ikke opbevares i produktet.
- Inden du anbringer naglerne, skal du kontrollere, at der ikke findes skjulte rør eller kabler i jorden.
- Dette produkt blev primært designet til at blive brugt som drivhus.
- **Bemærk venligst:** Vi anbefaler på det kraftigste at forankre produktet direkte til et solidt fundament for at øge produktets stabilitet og vindmodstand i områder med svære vejrforhold. Sørg for, at der ikke er nogen forhindringer mellem monteringsområdet og produktets slutposition. Palram - Canopia Anchoring kit kan købes separat.

## RENGØRINGSVEJLEDNING

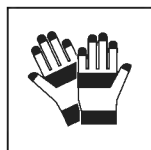
- Anvend en mild rengøringsopløsning, for at rengøre produkt, og skyl med rent koldt vand.
- Anvend ikke acetone, slibende rengøringsmidler, eller andre specialrengøringsmidler til at rengøre panelerne.
- Rengør produktet, når monteringen er udført.

## VÆRKTØJ & Udstyr

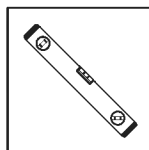


Der kræves to personer

x2



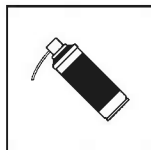
Arbejdshandsker



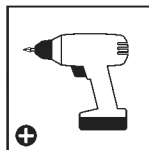
Vaterpas



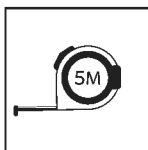
Gummihammer



Smøremiddelspray



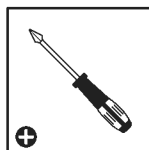
Trådløs Boremaskine - Stjernebit



Målebånd



Svensknøgle  
10 mm | 13/32"



Stjerneskruetrækker

## FØR MONTERING

1. Vælg stedet omhyggeligt inden du påbegynder samlingen.
2. Gulvoverfladen skal være helt flad og vandret, og have solid grund under sig såsom beton, asfalt, etagedæk osv.
3. Vælg et solrigt sted uden overhængende træer
4. Anbring ikke produkt på et sted med kraftig vind.
5. produkt skal placeres og opføres på en plan flade.  
Vi anbefaler kraftigt, at dette produkt fæstnes direkte til et solid betonfundament.  
Når du gør dette, kan du anvende de på forhånd borede huller i metalfundamentet.
6. Færdiggør forberedelse inden udpakning af dele og begyndelse montering.
7. Sorter delene og kontroller dem i forhold til indholdslisten.
8. De forskellige dele bør lægges ud, så de er lettilgængelige. Put alle de små dele (skruer osv.) i en skål, så de ikke bliver væk.
9. Henvend dig venligst til de lokale myndigheder hvis en tilladelse er påkrævet inden produktet konstrueres.

## UNDER MONTERINGEN

- Du kan anvende silikone-smøremiddel som hjælp til at få panelerne ind profilerne.
- Spray ikke på polycarbonate-pladerne.
- Brug en gummihammer om nødvendigt.
- **Trin 15, 16, 23, 24, 26, 34, 35, 38, 39, 40, 42, 47, 50:**  
**Bemærk!** Alle 3 drivhuse leveres med et kompatibelt panelsæt som vist i indholdslisten og i de relevante trin til samling.



- Når du støder på informationsikonet, bedes du venligst se det relevante monteringstrin for yderligere kommentarer og hjælp.



- Dette ikon indikerer, at installatøren skal befinde sig inde i for produktet



- Dette ikon indikerer, at installatøren skal befinde sig uden for produktet

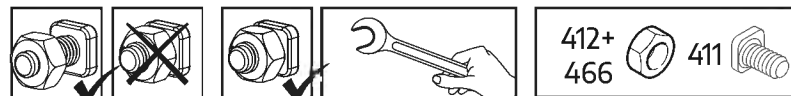


- Alle paneler med de stemplede ord "THIS SIDE OUT" skal vende udad for at skabe fuld UV beskyttelse. Fjern plastikkister, når panelerne er låst på plads.

## VIKTIGE ANBEFALINGER

- Sørg for at fæstne produkt grundigt til et jævnt fundament udenmiddelt efter det er færdigsamlet.
- Forankring af dette produkt til jorden er afgørende for dets stabilitet og styrke.
- For at sikre gyldigheden af din garanti, kræves det, at du gennemfører dette trin.
- For at undgå ridser eller skader, anvend en et blødt underlag under delene under montering.
- Stram alle skruer når du er ferdig med monteringen.
- Skruerne **411** og møtrikkerne **412 & 466** bruges under hele samlingen.
- Skruer **411** skal skrues i udefra og møtrikkerne sættes på indenfor i drivhuset.

- Stram ikke skruer og møtrikker (**411, 412 & 466**) mere end to-tre omgange.  
Hvis ikke andet er anført, skal de ikke strammes, før panelerne er samlet.
- I nogle dele af samlingsprocessen kan en midlertidig stramning af nogle af skruerne være nødvendigt for at forhindre en profil i at vælte





## VIGTIGE MONTERINGSTRIN

Når du støder på dette informationsikon under monteringen, se det relevante monteringstrin for vigtige yderligere kommentarer.

**Trin 5:** Del **994, 995** skal være bagerst i drivhuset. Ved at fæstne dem bestemmes for- og bagenden af drivhuset.

**Trin 8, 11:** Det ovale hul i tværstængerne **256** bør altid samles ved drivhusets bund.

**Trin 9:** **Samling af dør:** Afgør dørens retning. Del **987** er den side, hvor dørens hængsler er placeret. Døren kan installeres i enten højre eller venstre side. Denne vejledning viser samlingen af en højresidet dør.

**Trin 29:** **Samling af vindue:** Afgør vinduets placering før samling. Vinduet kan installeres i en af de angivne muligheder.

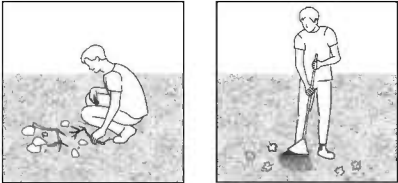
**Trin 45:** I tilfælde af at vinduet ikke lukker ordentligt, kan du løsne skruerne, justere profilen og stramme skruen.

# VOORBEREIDING VAN TERREIN & FUNDERING

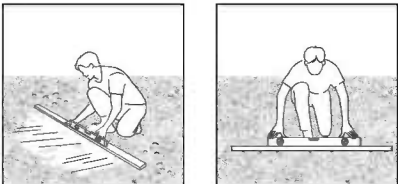
## A - TERREIN VOORBEREIDEN

Het product moet op een **stevige en egale oppervlakte** gebouwd worden om goed te kunnen werken.

### 1 - Maak het terrein vrij



### 2 - Egaliseer de grond



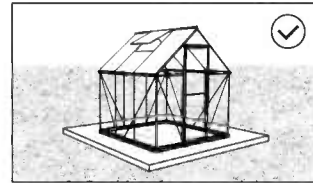
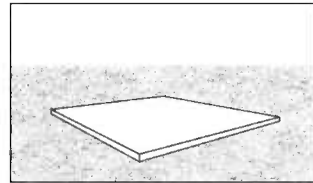
### BELANGRIJK

Wij raden u aan te controleren of er beperkingen of convenanten van toepassing zijn voor het bouwen van dit product in uw omgeving. Daarnaast adviseren wij om te controleren of u formulieren moet indienen of dat er een vergunning nodig is voordat u het product opbouwt.

## B - KIES UW TYPE FUNDERING

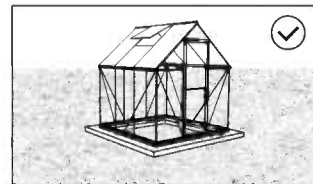
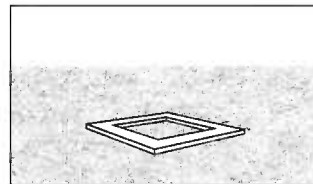
Als basis adviseren wij drie materiaalsoorten te gebruiken:  
Beton | Onder druk behandeld hout/houten dek | Bestratingsblokken

### Optie 1: Massieve basis



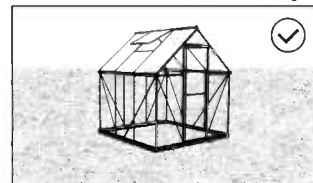
Voorkeur

### Optie 2: Massief kader



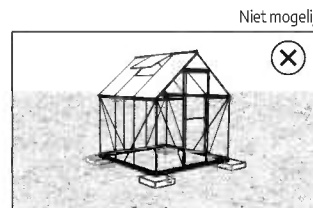
Voorkeur

### Optie 3: Stevige bodem/gras



Mogelijk

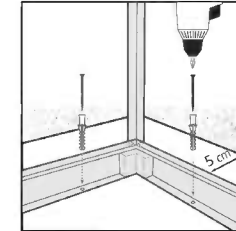
\* De grootte van de getoonde broeikas dient enkel ter illustratie en weerspiegelt mogelijk niet de grootte van uw eigen broeikas.



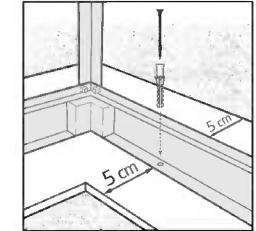
Niet mogelijk

## C - VERANKERING AAN FUNDERING

### Op een stevige basis



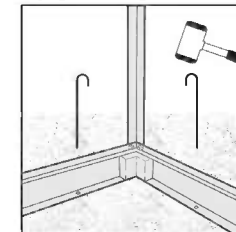
### Op een massief



Zet het product op een stevige basis vast op de fundering van uw keuze, met geschikte schroeven & pluggen of metselwerkankers (niet meegeleverd).

Zorg ervoor dat u minstens 5 cm hebt tussen de basis van het product en de randen van uw fundering - **langs alle kanten.**

### Op grond / gras



Befestig het product aan het grondoppervlak met behulp van geschikte lange pinnen (niet meegeleverd).

## VEILIGHEIDSADVIES

- Het is uiterst belangrijk alle onderdelen volgens de richtlijnen te monteren. Sla geen enkele stap over.
- Het is ten zeerste aanbevolen om werkhandschoenen te dragen tijdens de montage.
- Draag altijd schoenen en een veiligheidsbril als u met geëxtrudeerd aluminium werkt.
- Als u een ladder of elektrisch gereedschap gebruikt, wees zeker dat u het veiligheidsadvies van de fabrikant volgt.
- Raak de bovengrondse electriciteitskabels niet aan met de aluminium profielen.
- Probeer de product niet te monteren in winderige of natte omstandigheden.
- Verwijder alle plastic veiligheidszakken en houd ze buiten bereik van kleine kinderen.
- Houd kinderen uit het montagegebied.
- Leun niet of druk niet aan de product gedurende de montage.
- Plaats uw product niet in een gebied met overmatige wind.
- Probeer de product niet te monteren indien u moe bent, drugs of alcohol gebruikt heeft of als u lijdt aan aanvallen van duizeligheid.
- Hete voorwerpen zoals recent gebruikte grillen, branders, enz. mogen niet in de product opgeslagen worden.
- Verzekert dat er geen verborgen pijpen of kabels in de grond zijn voordat u de pinnen plaatst.
- Dit product werd ontworpen om hoofdzakelijk te worden gebruikt als broeikas.
- **Let op:** We raden sterk aan om het product rechtstreeks op een stevige fundering te verankeren om de stabiliteit en windweerstand van het product te vergroten in gebieden met zware weersomstandigheden. Zorg ervoor dat er geen obstakels zijn tussen het montagegebied en de uiteindelijke positie van het product. De Palram - Canopia Anchoring kit is apart verkrijgbaar.

## SCHOONMAAK INSTRUCTIES

- Om de Artikel schoon te maken, gebruik slecht milde reinigers en spoel dit af met schoon en koud water.
- Gebruik geen aceton, schurende detergenten of andere speciale middelen voor het reinigen van de panelen.
- Maak het product schoon na assemblage.

## GEREEDSCHAP & UITRUSTING

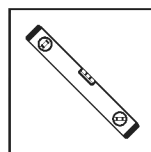


Twee Mensen Nodig

x2



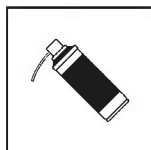
Werkhandschoenen



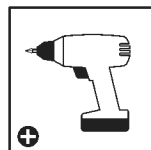
Waterpas



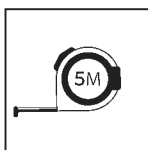
Rubberen Hamer



Smeermiddel



Draadloze Boormachine –  
Kruiskopschroeven



Meetlint



Moersleutel  
10 mm | 13/32"



Kruiskopschroevendraaier

## VÓÓR DE VERGADERING

1. Kies deze locatie zorgvuldig voordat u begint met de montage.
2. Het grondoppervlak moet perfect vlak en waterpas zijn en een stevige ondergrond hebben zoals beton, asfalt, een dek enz.
3. Kies een zonnige positie weg van overhangende bomen.
4. Plaats uw artikel niet in een gebied met overmatige wind.
5. Opmerking: dit product moet worden verankerd op een geëgaliseerd oppervlak en een stevige ondergrond om de stabiliteit te garanderen. Zorg ervoor dat schroeven en ankers compatibel zijn met het funderingstype. Zorg ervoor dat er geen obstructies zijn tussen het montagegebied en de eindpositie.
6. Voltooi de voorbereiding van de locatie voordat u onderdelen uitpakt en begint met de montage.
7. Sorteert de onderdelen en controleer dit met de materiaallijst.
8. Onderdelen moeten dicht bij de hand liggen. Bewaar alle kleine onderdelen (schroeven, enz.) in een kom zodat je ze niet verliest.
9. Raadpleeg uw plaatselijke autoriteiten of er bepaalde vergunningen vereist zijn
10. voordat u het product gaat bouwen.

## TIJDENS DE ASSEMBLAGE

- U kunt siliconenspray gebruiken om de panelen gemakkelijker in de profielen te schuiven.
- Spray niet de polycarbonaat panelen.
- Gebruik een rubberen hamer indien nodig.
- **Stappen 15, 16, 23, 24, 26, 34, 35, 38, 39, 40, 42, 47, 50:**  
**Let op!** Elk van de drie kassen heeft zijn eigen compatibele panelenpakket zoals op de inhoudslijst te zien is en in de relevante montagestappen.



- Wanneer u het informatie-icoon ziet, ga dan naar de relevante montage stap voor aanvullende opmerkingen en assistentie.



- Dit icoontje geeft aan dat de installateur binnen het product moet zijn.



- Dit icoontje geeft aan dat de installateur buiten het product moet zijn.

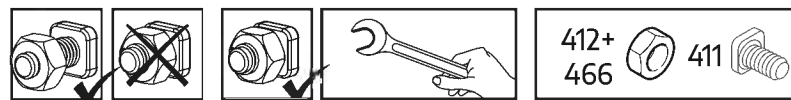


- Alle panelen met de gestempelde woorden "THIS SIDE OUT" moeten naar buiten wijzen om volledige UV-bescherming te creëren. Verwijder de plastic sticker nadat de panelen op hun plaats vast zijn gezet.

## BELANGRIJKE AANBEVELINGEN

- Sluit de kas stevig aan op een vlakke positie na het voltooiën van de montage.
- Verankering van dit product aan de grond is van essentieel belang voor de stabiliteit en stevigheid. Deze fase dient te worden voltooid, om uw garantie geldig te laten blijven.
- Gebruik een zachte ondergrond voor de onderdelen om krassen en beschadigingen te voorkomen.
- Maak het product schoon na assemblage.
- Schroeven **411** en bouten **412 & 466** worden door het gehele montageproces gebruikt.
- Schroeven **411** moeten van de buitenkant gemonteerd worden en bouten **412 & 466** aan de binnenkant van de broeikas.

- Draai de schroeven en bouten (**411, 412 & 466**) niet meer dan 2-3- draaien. Indien niet anders aangegeven, draai ze niet vast tot voltooiing van de panelen assemblage.
- In sommige stappen kan het nodig zijn om enkele schroeven tijdelijk vast te draaien om het omvallen van een profiel te voorkomen.





## BELANGRIJKE STAPPEN VAN DE OPBOUW

**Wanneer u dit informatiepictogram tijdens de opbouw tegenkomt, raadpleeg dan de betreffende stap van de opbouw voor belangrijke bijkomende opmerkingen.**

**Stap 5:** Deel **994, 995** zijn achter in de kas. Het vastmaken daarvan bepaalt de voorkant van de kas.

**Stappen 8, 11:** Het ovalen gat in de dwarsbalken **256** moet altijd worden gemonteerd aan de basis van de kas.

**Stap 9:** **Deur montage:** Bepaalt de deurrichting. Deel **987** is de zijde waarop de deurscharnieren plaatsvinden. De deur kan aan de linker- of rechterhand geïnstalleerd worden. Deze instructies tonen een rechterhand deur montage aan.

**Stap 29:** **Raam montage:** Bepaal de locatie van het raam voor de montage. Het raam kan in een van de aangewezen opties geïnstalleerd worden.

**Stap 45:** Als het raam niet goed sluit, kunt u de schroeven iets losser maken en het profiel bijstellen en draai de schroeven aan.

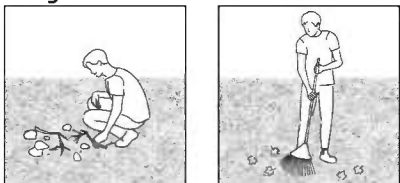


# PREPARAZIONE DEL SITO E FONDAZIONE

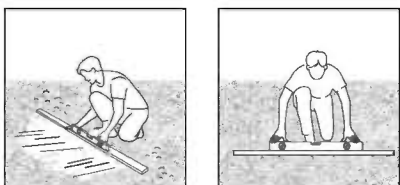
## A - PREPARARE IL SITO

Questo prodotto deve essere costruito su una superficie **solida e piana** per funzionare correttamente.

### 1 - Sgombrare il sito



### 2 - Livellare il terreno



### INFORMAZIONE

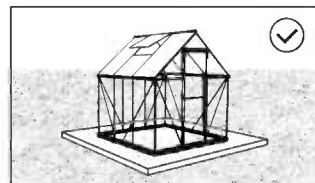
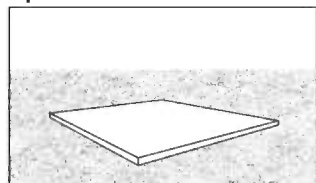
Si consiglia di verificare se ci sono restrizioni o autorizzazioni per la costruzione di questo prodotto nella vostra zona. Inoltre, si consiglia di controllare se è necessario presentare dei moduli o se è necessario un permesso prima di costruire il prodotto.

## B - SCEGLIERE IL TIPO DI FONDAZIONE

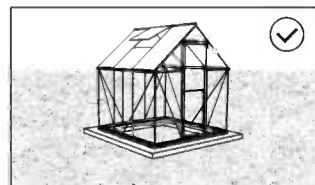
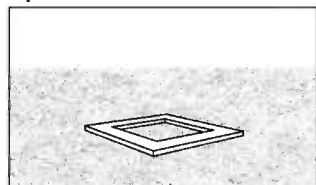
Come base consigliamo tre tipi di materiali:

Calcestruzzo | Legno pressato/Pavimenti in legno | Calcestruzzo per pavimentazioni

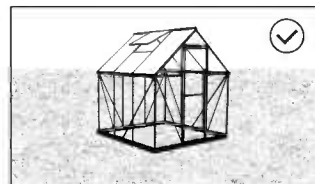
### Opzione 1: Fondamenta solide



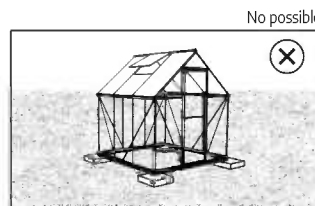
### Opzione 2: Struttura solida



### Opzione 3: Terreno compatto / erba

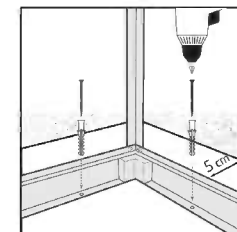


\* La dimensione della serra visualizzata è solo a scopo illustrativo e potrebbe non rispecchiare le dimensioni della vostra serra.

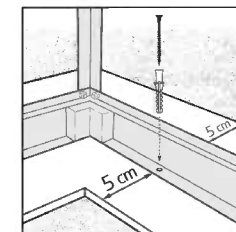


## C - ANCORAGGIO ALLE FONDAMENTA

### Su una base solida



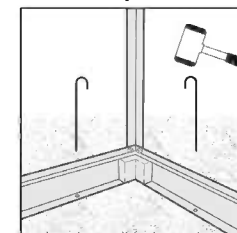
### Su un telaio solido



Fissare il prodotto alla fondazione di vostra scelta, utilizzando viti e tasselli adeguati o ancoraggi in muratura (non forniti).

Assicuratevi di avere almeno 5 cm tra la base del prodotto e i bordi del tuo fondotinta - **su tutti i lati**.

### Su terreno/erba



Fissare il prodotto alla superficie del terreno con appositi tasselli lunghi (non forniti).

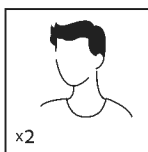
## CONSIGLIO DI SICUREZZA

- È di grande importanza montare le parti secondo le direttive. Non omettere alcuna fase.
- Raccomandiamo caldamente l'uso dei guanti di lavoro durante i lavori di montaggio.
- Indossare sempre scarpe ed occhiali di sicurezza nel maneggiare i profili di alluminio estruso.
- Usando una scala a pioli o utensili elettrici da lavoro, assicurarsi di seguire le disposizioni di sicurezza fornite dal produttore.
- Non toccare cavi elettrici con i profili d'alluminio.
- Non tentare di montare la prodotto in condizioni atmosferiche ventose o umide.
- Eliminare in modo sicuro tutti i sacchetti di plastica – conservarli fuori della portata dei bambini.
- Tenere i bambini a distanza dall'area di montaggio.
- Non appoggiarsi o spingere la prodotto durante la sua costruzione.
- Non posizionare la prodotto in un'area troppo esposta al vento.
- Non tentare di montare la prodotto in condizioni di stanchezza, dopo aver fatto uso di stupefacenti o alcolici o se si è soggetti ad avere capogiri.
- Oggetti roventi quali griglie o bruciatori per saldature usati di recente ecc., non devono essere introdotti nella prodotto.
- Verificare che non vi siano tubi o cavi elettrici sotterranei prima di conficcare i paletti.
- Prodotto progettato per uso prevalente come serra.
- **Nota:** Si consiglia vivamente di ancorare il prodotto direttamente ad una base solida per aumentare la stabilità e la resistenza al vento del prodotto in aree con condizioni meteorologiche avverse. Assicuratevi che non ci siano ostacoli tra l'area di montaggio e la posizione finale del prodotto. Il kit di ancoraggio Palram - Canopia può essere acquistato separatamente.

## ISTRUZIONI PER LA PULIZIA

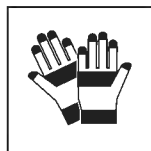
- Per pulire il Prodotto, utilizzare un detergente delicato e risciacquare con acqua pulita fredda.
- Non utilizzare acetone, detergenti abrasivi o altri detergenti speciali per la pulizia dei pannelli.
- Pulisci il prodotto una volta che il montaggio è completo.

## STRUMENTI E ATTREZZATURE

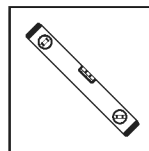


Servono due persone

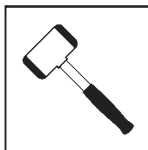
x2



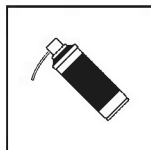
Guanti da lavoro



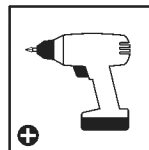
Righello di livello



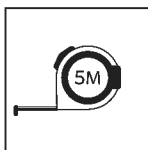
Martello di gomma



Lubrificante spray



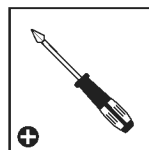
Trapano a batteria - Testa Philips



Nastro di misura



Chiave  
10 mm | 13/32"



Cacciavite a croce

## PRIMA DELL'ASSEMBLEA

1. Scegliete con cura il vostro luogo di montaggio prima di assemblare.
2. Il terreno delle superficie deve essere perfettamente piatto e livellato e deve avere una
3. solida base come cemento, asfalto, terra, ecc.
4. Scegli una posizione soleggiata lontano dagli alberi sovrastanti.
5. Non posizionare la prodotto in un'area troppo esposta al vento.
6. Nota: Questo prodotto deve essere ancorato a una superficie livellata e solida fondamenta per assicurarne la stabilità. Assicurarsi che viti e ancoraggi siano compatibili con il tipo di fondamenta. Assicurarsi che non ci siano ostruzioni tra l'area di montaggio e la posizione finale.
7. Completare la preparazione del posto prima di disimballare le parti e iniziare ad assemblare.
8. Ordinare i componenti e verificare con l'elenco contenuto
9. Le parti devono essere poste a portata di mano. Conservare tutte le piccole parti (viti, ecc.) in una bacinella per evitare di perderle.
10. Si prega di consultare le vostre autorità locali in caso siano richiesti permessi prima di costruire il prodotto.

## DURANTE IL MONTAGGIO

- Puoi utilizzare lo spray lubrificante al Silicone per aiutare i pannelli a scorrere nei profili.
- Non spruzzare sui pannelli in policarbonato.
- Usa un martello di gomma, se necessario.
- **Passaggi 15, 16, 23, 24, 26, 34, 35, 38, 39, 40, 42, 47, 50:**  
**Nota bene!** Ognuna delle 3 serre è composta con il suo kit di pannelli compatibili come indicato nell'elenco dei componenti e nei relativi passaggi di assemblamento.



- Quando si incontra l'icona delle informazioni, fare riferimento al passo di montaggio rilevante per ulteriori commenti e assistenza.



- Questa icona indica che l'installatore deve essere all'interno del prodotto



- Questa icona indica che l'installatore deve essere all'esterno del prodotto

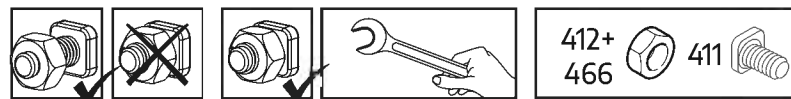


- Tutti i pannelli con le parole stampate "THIS SIDE OUT" devono essere rivolti verso l'esterno per creare una protezione UV completa. Rimuovere l'adesivo di plastica mentre i pannelli sono bloccati in posizione.

## RACCOMANDAZIONI IMPORTANTI

- Collega saldamente la Prodotto ad una posizione immediatamente dopo il completamento del montaggio.
- Il fissaggio di questo prodotto a terra è essenziale per ottenere stabilità e rigidità. Affinché la garanzia sia valida è necessario completare questo passaggio
- Durante il montaggio utilizzare una superficie morbida sotto le parti per evitare graffi e danni.
- Stringi tutte le viti al termine del montaggio.
- Le viti **411** ed i dadi **412 & 466** sono usati in tutto il processo di montaggio.
- Le viti **411** devono essere inserite dall'esterno ed i dadi **412 & 466** dall'interno della serra.

- Non serrare le viti ed i dadi (**411, 412 & 466**) più di 2-3 giri.
- Non serrare fino a montaggio completato dei pannelli, se non stabilito diversamente.
- Considera che, in alcune fasi, può essere necessario bloccare alcune viti per impedire ad un profilo di cadere.





## FASI DI MONTAGGIO IMPORTANTI

**Quando si incontra questa icona informativa durante il montaggio, fare riferimento alla relativa fase di montaggio per ulteriori importanti commenti..**

**Fase 5:** Le parti **994, 995** sono nella parte posteriore della serra. Piazzandole scegli il lato anteriore della serra.

**Fase 8, 11:** Il foro ovale della traversa **A256** deve sempre essere montato alla base della serra.

**Fase 9:** **Montaggio della porta:** Scegli la direzione della porta. La Parte # **987** è il lato nel quale si trovano le cerniere. La porta può essere installata sia come porta di sinistra che di destra. Queste istruzioni mostrano la porta montata sul lato destro.

**Fase 29:** **Per montare la finestra:** Decidi la posizione della finestra prima del montaggio. La finestra può essere installata secondo una delle opzioni indicate.

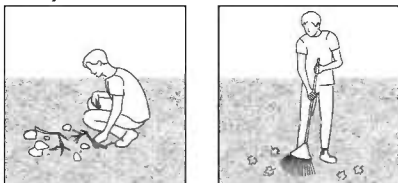
**Fase 45:** Nel caso in cui la finestra non si chiuda correttamente, svita le viti, regola il profilo e avvita la vite.

# PRÍPRAVA A ZALOŽENIE MIESTA

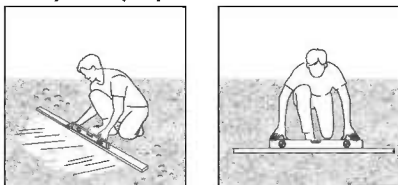
## A - PRIPRAVTE SI MIESTO

Produkt musí byť postavený na **pevnom a vyrovnanom povrchu**, aby fungoval správne.

### 1 - Vyčistite miesto



### 2 - Vyrovnejte povrch



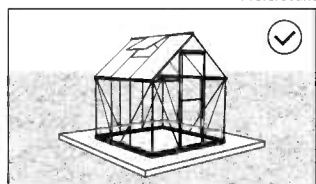
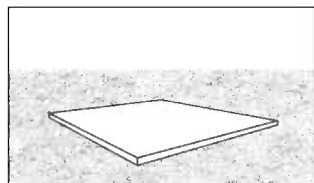
### DÔLEŽITÉ

Odporúčame skontrolovať obmedzenia alebo zmluvy týkajúce sa výroby tohto produktu vo vašej oblasti. Okrem toho odporúčame pred výrobou produktu skontrolovať, či potrebujete odoslať nejaké formuláre alebo či je potrebné nejaké povolenie.

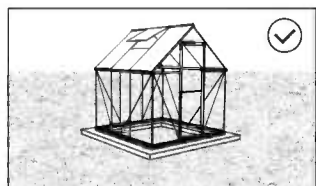
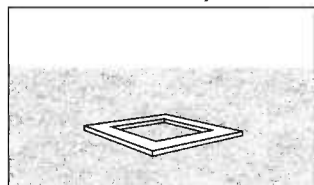
## B - VYBERTE SI TYP PODLOŽENIA

Pre základňu odporúčame použiť tri typy materiálov:  
Betón | Tlakovo upravené drevo/drevená paluba | Dlažobné kocky

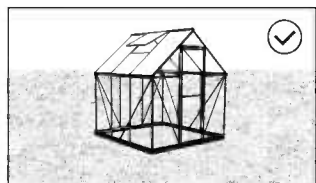
### Možnosť 1: Pevná základňa



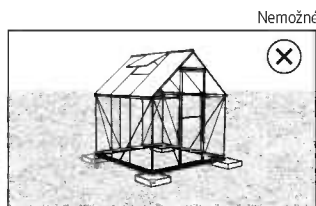
### Možnosť 2: Masívny rám



### Možnosť 3: Pevná zem / tráva

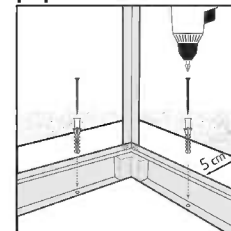


\*Veľkosť zobrazeného skleníka slúži iba na ilustráciu a nemusí odrážať veľkosť vášho skleníka.

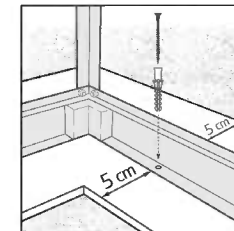


## C - UPEVNENIE PODLOŽENIA

### Na pevnom podklade pripevnite



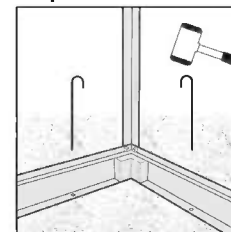
### Na pevnom ráme sa uistite



Produkt k podloženiu podľa vášho výberu pomocou vhodných skrutiek a hmoždiniek alebo murovacích kotiev (nedodané).

Uistite sa, že máte najmenej 5 cm | 2" medzi základňou výrobku a okrajmi podkladu - **na všetkých stranách**.

### Na pôdu/trávu



Pripevnite produkt k povrchu zeme pomocou vhodných dlhých kolíkov (nie sú súčasťou dodávky).

## BEZPEČNOSTNÁ RADA

- Je nanajvýš dôležité zmontovať všetky časti v súlade s pokynmi. Nepreskočte žiadny z krokov.
- Počas montáže vám silne odporúčame používať pracovné rukavice.
- Pri práci s extrudovaným hliníkom vždy noste topánky a bezpečnostné okuliare.
- Pri používaní dvojitého rebríka alebo elektrického náradia sa ubezpečte, že nasledujete bezpečnostné pokyny výrobcu.
- Hliníkovými profilmi sa nedotýkajte nadzemne vedených elektrických káblov.
- Nesnažte sa výrobok zmontovať vo veterných podmienkach alebo pri vysokej vlhkosti.
- Bezpečne zlikvidujte plastové obaly a udržujte ich mimo dosahu malých detí.
- Zabezpečte, aby sa deti nedostali na miesto montáže.
- Počas jeho montáže sa o výrobok neopierajte a ani naň netlačte.
- Neumiestňujte výrobok na miesto, ktoré je vystavené nadmernému vetru.
- Nesnažte sa tento výrobok zmontovať v prípade, že ste unavení, užili ste drogy alebo alkohol, alebo ak ste náchylný k záchvatom závrate.
- Horúce predmety, ako napríklad nedávno použité grily, opaľovacie lampy atď., nesmiete v výrobu ku skladovať. Pred vkladáním kolíkov sa ubezpečte, že v zemi sa nenachádzajú

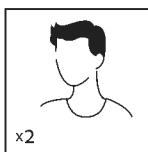
žiadne ukryté trubky alebo káble.

- Tento výrobok navrhnutý tak, aby sa používal predovšetkým ako skleník.
- **Prosím všimnite si!** Dôrazne odporúčame výrobok ukotviť priamo na pevný základ, aby sa zvýšila stabilita výrobku a odolnosť proti vetru v oblastiach s nepriaznivými poveternostnými podmienkami. Uistite sa, že medzi montážnou časťou a konečnou polohou výrobku nie sú žiadne prekážky. Palram - Canopia sada na ukotvenie je k dispozícii na zakúpenie osobitne.

## POKYNY NA ČISTENIE

- Na vyčistenie výrobku použite jemný roztok saponátu s vodou a opláchnite ho čistou studenou vodou.
- Na čistenie panelov nepoužívajte acetón, abrazívne čističe alebo iné špeciálne čistiace prostriedky.
- Po ukončení montáže vyčistite výrobok.

## NÁSTROJE A ZARIADENIE

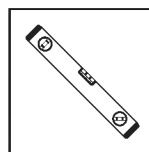


- Potrebne dve osoby

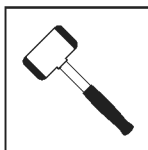
x2



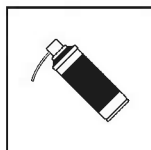
- Pracovné rukavice



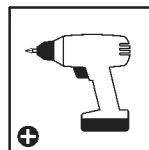
- Vodováha



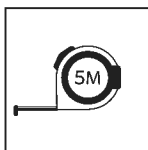
- Gumovú kladivo



- Sprej na mazivo



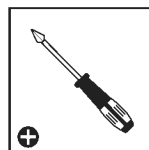
- Akumulátorová vŕtačka - krížová hlava



- Zvinovací meter



- Klúč 10 mm | 13/32"



- Skrutkovač s krížovou hlavou

## PRED MONTÁŽOU

1. Pred začiatkom montáže si starostlivo vyberte svoje stránky.
2. Výrobok musí byť umiestnený a upevnený na rovnom povrchu.
3. Zvoľte slnečnú poloha vzdialenú od stromov.
4. Neumiestňujte výrobok na miesto, ktoré je vystavené nadmernému vetru.
5. Povrch zeme musí byť dokonale rovný a musí mať pevnú základňu, napríklad betón, asfalt, plošinu, atď. Dôrazne odporúčame tento výrobok upevniť priamo na betónový základ.
6. Použitie predvrtané diery v kovovej základni.
7. Kompletná príprava miesta pred rozbalením dielov a začiatkom montáže.
8. Roztriedte diely a skontrolujte ich so zoznamom obsahujúcich dielov.
9. Súčasti by mali byť položené na dosah ruky. Uchovávajte všetky malé časti (skrutky, atď) v miske aby sa nestratil.
10. Prosím, poraďte sa so svojim miestnym orgánom prípadné povolenie je potrebné vystavať zápojom.

## POČAS MONTÁŽE

- Môžete použiť silikónový lubrikačný sprej pri zasúvaní panelov do profilov.
- Nestriekajte na polykarbonátové panely.
- V prípade potreby použite gumovú kladivo.
- **Kroky 15, 16, 23, 24, 26, 34, 35, 38, 39, 40, 42, 47, 50:**  
**Pozor, prosím!** Každý z 3 skleníkov prichádza so svojou súpravou kompatibilných panelov, ako je uvedené v zozname obsahu a v príslušných montážnych krokoch.



- Pri montáži sa stretnete s informačným symbolom, pozrite sa do príslušného montážneho kroku pre ďalšie pripomienky a pomoc.



- Táto ikona označuje, že montér sa má nachádzať vo vnútri výrobku.



- Táto ikona označuje, že montér sa má nachádzať mimo výrobku.

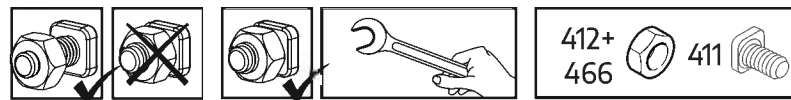


- Všetky panely s označením "THIS SIDE OUT" musia byť obrátené smerom von, aby sa vytvorila úplná ochrana proti UV žiareniu. Odstráňte plastovú nálepku, pretože panely sú zablokované na mieste.

## DÔLEŽITÉ ODPORÚČANIA

- Pevne upevnite výrobok vo vodorovnej polohe hneď po dokončení montáže.
- Ukotvenie tohto výrobku na zem, je potrebné pre jeho stabilitu a tuhosť. Vyžaduje sa na dokončenie tejto fázy, aby platila záruka.
- Počas montáže použite pod časťami mäkký povrch, aby ste sa vyhli poškrabaniu a poškodeniu.
- Na konci montáže, prosím, dotiahnite všetky skrutky.
- Skrutky **411** a matice **412 & 466** sa používajú počas celého procesu montáže.
- Skrutky **411** sa montujú z vonkajšej strany a matice **412 & 466** z vnútornej strany skleníka.

- Nedoťahujte skrutky a matice (**411 a 412 & 466**) na viac než len 2 - 3 otočky. Nedoťahujte ich, kým nedokončíte montáž panelov (pokiaľ nie je v krokoch montáže uvedené inak).
- Avšak v niektorých krokoch je dočasné utiahnutie nevyhnutné aby sa zabránilo pádu profilu.





## DÔLEŽITÉ MONTÁŽNE KROKY

**Keď sa počas montáže stretnete s touto informačnou ikonou, ďalšie dôležité poznámky nájdete v príslušnom montážnom kroku.**

**Krok 5:** Časť **994, 995** sú v zadnej časti skleníka. Pripojenie určuje prednú stranu skleníka.

**Krokovv 8, 11:** Oválny otvor v priečkach **256** by mal byť vždy upevnený na spodnej časti skleníka.

**Krok 9:** **Montáž Dverí:** Určuje smer dverí. Diel **987** je strana, na ktorej sa budú nachádzať pánty dverí. Dvere možno montovať ako ľavácke alebo pravácke. Tieto inštrukcie ukazujú montáž praváckych dverí.

**Krok 29:** **Montáž Okien:** Zvoľte umiestnenie okna pred montážou. Okno môže byť nainštalované v jednej z uvedených možností.

**Krok 45:** V prípade, že sa okno nezatvára správne, prosím, uvoľnite skrutky, prispôbte profil a utiahnite skrutky.

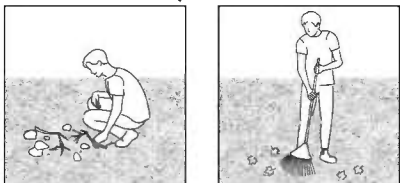


# PRIPRAVA LOKACIJE & TEMELJA

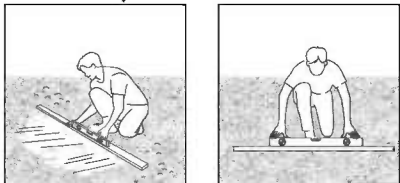
## A - PRIPRAVITE LOKACIJO

Izdelek morate postaviti na **trdni in ravni površini**, da bo pravilno deloval.

### 1 - Očistite lokacijo



### 2 - Poravnajte tla



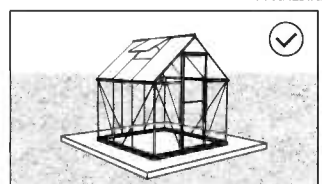
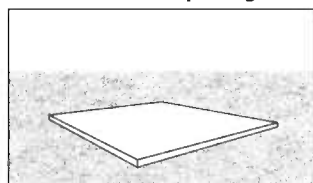
#### POMEMBNO

Priporočamo, da preverite morebitne omejitve ali dogovore glede postavitve tega izdelka na vašem območju. Prav tako svetujemo, da preverite morebitno obveznost predložitve kakršnih koli obrazcev ali pridobitve dovoljenja, preden postavite izdelek.

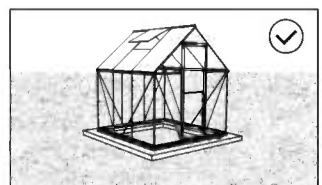
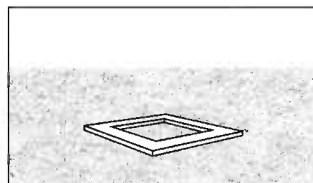
## B - IZBERITE SVOJO VRSTO TEMELJA

Za podlago priporočamo uporabo treh vrst materialov:  
Beton | Tlačno obdelan les / leseni krov | Granitne kocke

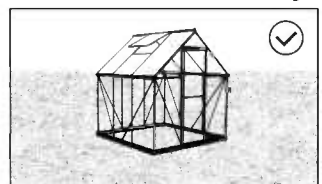
### možnost 1: trdna podlaga



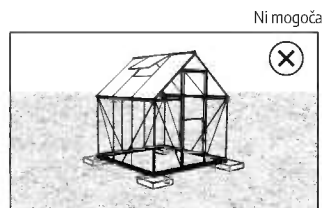
### možnost 2: trdni okvir



### možnost 3: trdna tla / trava

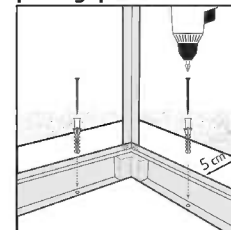


\* Velikost prikazanega rastlinjaka je le informativne narave in ne nujno odraža velikosti vašega rastlinjaka.

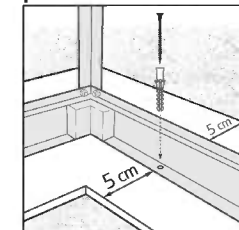


## C - SIDRANJE TEMELJA

### Izdelek na trdni podlagi pritrdite



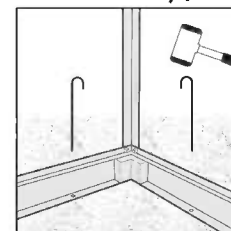
### Na trdnem okvirju poskrbite



Na temelj po vaši izbiri z uporabo primernih vijakov & zatičev ali zidarskih sider (niso dobavljeni).

Poskrbite, da bo med podnožjem izdelka in robovi temeljne plošče na vseh straneh vsaj za 5 cm | 2 - palca prostora.

### Izdelek na zemlji / travi pritrdite



V tla z uporabo primernih dolgih kavljev (niso dobavljeni).

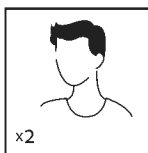
## VARNOSTNI NAPOTEK

- Nadvse pomembno je, da vse dele sestavite v skladu z navodili. Ne preskočite nobenega koraka.
- Med montažo toplo priporočamo uporabo delovnih rokavic.
- Ko delate z ekstrudiranim aluminijem, bodite ves čas obuti in nosite zaščitna očala.
- Če boste uporabili lestev ali električna orodja, upoštevajte varnostna navodila proizvajalca.
- Ne dotikajte se nadzemnih električnih kablov z aluminijastimi profili.
- Ne sestavljajte izdelka v vetrovnem ali mokrem vremenu.
- Varno odstranite vse plastične vrečke in jih hranite izven dosega otrok.
- Ne dovolite otrokom priti na mesto montaže.
- Med montažo se ne naslanjajte na izdelek in ga ne potiskajte.
- Ne postavite izdelka na zelo vetrovno mesto.
- Ne sestavljajte tega izdelka, če ste utrujeni, ste jemali droge ali pili alkohol, ali če se vam rado vrtili.
- V izdelku ni dovoljeno hraniti vročih stvari kot so žar, spajkalnik idr.
- Pred zabijanjem klinov zagotovite, da v zemlji niso skrite cevi ali kabli.
- Ta izdelek je bil dizajniran predvsem za uporabo kot rastlinjak.
- **Prosimo, upoštevajte:** Priporočamo, da izdelek pritrdite neposredno na trdno podlago, da povečate stabilnost izdelka in odpornost proti vetru na območjih s slabimi vremenskimi razmerami. Prepričajte se, da ni ovir med območjem sestavljanja in končnim položajem izdelka. Komplet za sidranje Palram - Canopia Anchoring kit je na voljo za nakup ločeno.

## NAVODILA ZA ČIŠČENJE

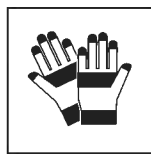
- Za čiščenje izdelka uporabite blago raztopino detergenta in sperite s hladno čisto vodo.
- Za čiščenje plošč ne uporabljajte acetona, abrazivnih čistil ali drugih posebnih detergentov.
- Očistite izdelek, ko je sklop sestavljen.

## ORODJA & OPREMA

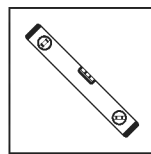


Potrebna sta dva človeka

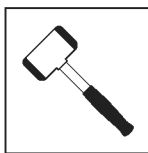
x2



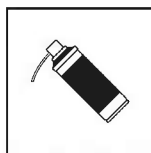
Delovne rokavice



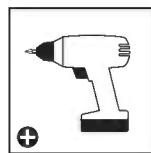
Libela



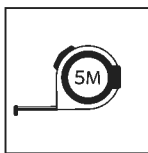
Gumijasto kladivo



Sprej za mazanje



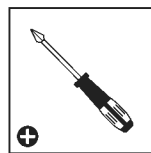
Akumulatorski vrtalnik - Philips glava



Merilni trak



Ključ 10 mm | 13/32"



Izvijač s Phillips glavo

## PRED SESTAVLJANJEM

1. Preden začnete sestavljanje, previdno izberite mesto postavitve.
2. Površina tal mora biti povsem ravna in izravnana in imeti trdno podlago, kot je npr. beton, asfalt, krov itd.
3. Izberite sončno mesto, v bližini ne sme biti visokih dreves.
4. Ne postavite izdelek na zelo vetrovno mesto.
5. Opomba: Ta izdelek mora biti pritrjen na izravnano površino in trden temelj, da se zagotovi njegova stabilnost. Prepričajte se, da so vijaki in sidra združljivi z vrsto temelja. Prepričajte se, da med območjem montaže in končnim položajem ni ovir.
6. Pripravo površine zaključite pred razpakiranjem delov in začetkom montaže.
7. Razvrstite dele in preverite seznam delov.
8. Dele razprostrite v bližini. Vse majhne dele (vijake itd.) shranjujte v posodo, da se ne izgubijo.
9. Prosimo, obrnite se obrnite na lokalne organe, če so potrebna dovoljenja pred postavitvijo izdelka.

## MED SESTAVLJANJEM

- Za pomoč pri vstavljanju plošč v profil lahko uporabite silikonsko mazalno razpršilo.
- Ne pršite po polikarbonatnih ploščah.
- Po potrebi uporabite gumijasto kladivo.
- **Koraki 15, 16, 23, 24, 26, 34, 35, 38, 39, 40, 42, 47, 50:**  
**Prosimo, bodite pozorni!** Vsi trije rastlinjaki imajo svoj pribor s ploščami, kot je prikazano na seznamu vsebine in v pomembnih korakih sestavljanja.



- Med sestavljanjem boste naleteli na ikono z informacijo. Prosimo, glejte zadevni korak sestavljanja glede dodatnih komentarjev in pomoči.



- Ta ikona pomeni, da mora biti sestavljevec znotraj proizvoda.



- Ta ikona pomeni, da mora biti sestavljevec izven proizvoda.

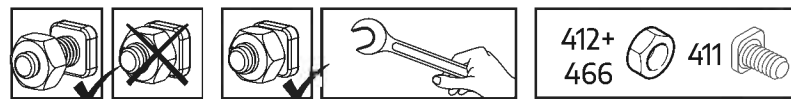


- Vse plošče z nalepko "THIS SIDE OUT" morajo biti obrnjene navzven, da ustvarijo popolno UV zaščito. Odstranite plastično nalepko, ko so plošče pritrjene na svoje mesto.

## POMEMBNA PRIPOROČILA

- Izdelka trdno pritrdite v vodoravnem položaju takoj po končanem sestavljanju.
- Pritrjevanje tega izdelka v tla je ključno za njegovo stabilnost in trdnost. To stopnjo morate pravilno zaključiti, da garancija ostane veljavna.
- Počas montaže použite pod častami mäkký povrch, aby ste sa vyhli poškríabaniu a poškodeniu.
- Ko je sestavljanje končano, zategnite vse vijake.
- Vijaki **411** in matice **412 & 466** se uporabljajo med celotnim postopkom sestavljanja.
- Vijake **411** je treba vstaviti od zunaj, matice **412 & 466** pa od znotraj rastlinj.

- Vijakov in matic (**411, 412 & 466**) ne zategujte za več kot 2-3 obratov. Ne zategnite jih, dokler sestavljanje plošč ni dokončano, če ni navedeno drugače.
- Vseeno pa je pri nekaterih korakih potrebno začasno zategovanje nekaterih vijakov, da preprečite prevrnitev profila..





## POMEMBNI KORAKI MONTAŽE

**Če med montiranjem naletite na to ikono za informacije, glejte ustrezní korak montaže za pomembne dodatne opombe.**

### **5. korak:**

Dela **994 in 995** sta na hrbtni strani rastlinjaka. Njuna pritrditev bo določila sprednjo stran rastlinjaka.

### **8, 11. koraky:**

Ovalno luknjo v prečnih drogovih **256** je treba vedno povezati s podnožjem rastlinjaka.

### **9. korak:**

Določa smer odpiranja vrat. Del **987** je stranica, na kateri bodo tečaji vrat. Vrata lahko namestite tako, da se odpirajo v levo ali desno. V teh navodilih je prikazano sestavljanje z odpiranjem vrat v desno.

### **29. korak:**

**Sestavljanje okna:** Glede lokacije okna se odločite pred sestavljanjem. Okno lahko namestite na eno od prikazanih možnosti.

### **45. korak:**

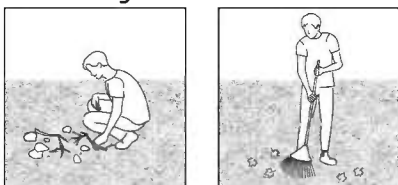
Če se okno ne zapira pravilno, popustite vijake, prilagodite profil in zategnite vijake.

# MAATÜKI ETTEVALMISTAMINE JA VUNDAMENT

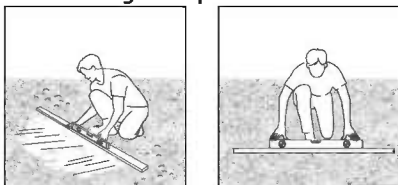
## A - VALMISTAGE ETTE MAATÜKK

Toode peab olema ehitatud kindlale ja korralikuks toimimiseks tasandatud pinnale.

### 1 - Puhastage maatükk



### 2 - Tasandage maapinda



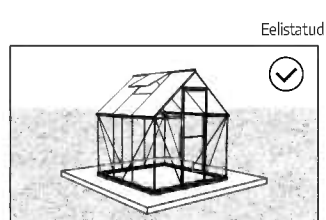
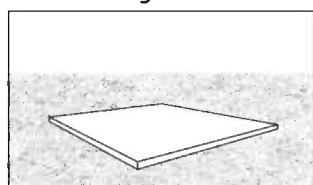
#### OLULINE

Soovitame kontrollida, kas teie piirkonnas on selle toote ehitamiseks kehtestatud piiranguid või eritingimusi. Lisaks soovitame enne toote ehitamist kontrollida, kas teil on vaja taotlusi esitada või kas teil on vaja luba.

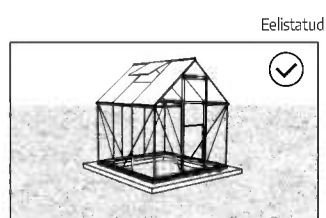
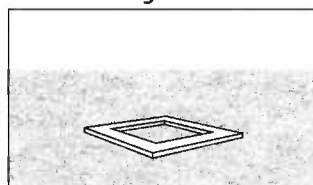
## B - VALIGE OMA VUNDAMENDI TÜÜP

Aluse jaoks soovitame kasutada kolme tüüpi materjale: Betoon | Survetöödeldud puit / puidutekk | Sillutuskiivid

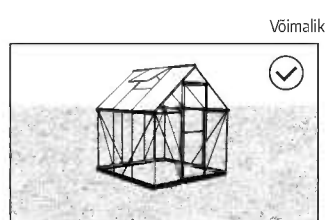
### Variant 1: Tugev alus



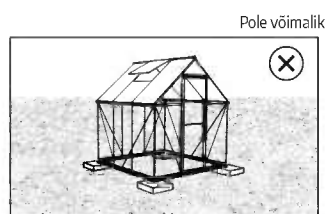
### Variant 2: Tugev raam



### 3. võimalus: Tahke maa/rohi

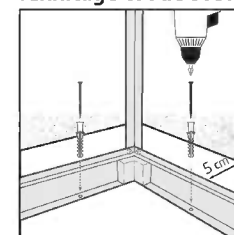


\* Kuvatud kasvahoone suurus on ainult illustratiivne ja ei pruugi kajastada teie kasvahoone suurust.

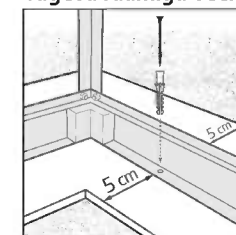


## C - VUNDAMENDI ANKUR

### Kinnitage toode sobivate



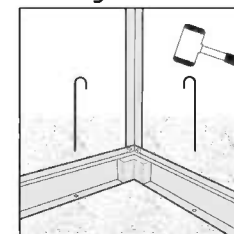
### Tugeva raamiga veenduge



Kruvide ja korkide või müüritise ankrute abil valitud aluse külge (ei kuulu komplekti).

Veenduge, et teil on vähemalt 5 cm | 2" toote aluse ja vundamendi servade vahel - **kõigil külgedel**.

### Kinnitage toode mulla/rohu



peale sobivate pikkade pulkadega (ei kuulu komplekti).

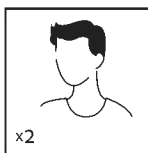
## OHUTUSNÕUDED

- On äärmiselt oluline kõik osad kokku panna vastavalt juhistele. Ärge jätke ühtegi sammu vahele.
- Komplekteerimisel soovitame tungivalt kasutada kindaid.
- Pressitud alumiiniumiga töötamisel kandke alati kingi ja prille.
- Redeli või elektriliste tööriistade kasutamisel järgige kindlasti tootja juhiseid ohutusjuhised.
- Ärge proovige toodet tuulistes või niisketes oludes kokku panna.
- Visake kõik kilekotid minema. Turvalisuse huvides visake kilekotid kohe minema, mitte sobib lastele mängimiseks - võib põhjustada lämbumisohtu.
- Hoidke lapsi kogunemisalast eemal.
- Ärge toetuge kokkupaneku ajal kasvuhoonele ega lükake seda.
- Ärge asetage toodet tuulisesse kohta.
- Ärge proovige toodet kokku panna, kui olete väsinud, võtate ravimeid olete tarvitanud alkoholi või olete uimane.
- Kuumaid esemeid, nagu hiljuti kasutatud grill, tõrvik jms, ei tohi kasvuhoones hoida.
- Enne vaiade sisestamist veenduge, et maapinnal ei oleks peidetud torusid ega kaableid.
- See toode on mõeldud kasutamiseks peamiselt kasvuhoonena.
- **Võtke arvesse:** toote stabiilsuse ja tuulekindluse suurendamiseks rasketes ilmastikutingimustes soovitame tungivalt kinnitada see tugeva aluse külge. Veenduge, et montaažiala ja toote lõppasendi vahel ei oleks mingeid takistusi. Palram - Canopia kinnituskomplekti saab osta eraldi.

## PUHASTUSJUHISED

- Toote puhastamiseks kasutage pehmet pesuvahendilahust ja küürige toodet puhta külma veega.
- Ärge kasutage paneelide puhastamiseks atsetooni, abrasiivseid puhastusaineid ega muid erilisi detergente.
- Puhastage toodet siis, kui selle kokkupanek on lõppenud.

## TÖÖRIISTAD JA SEADMED

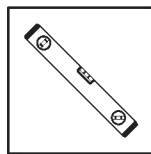


Vaja on kahte inimest

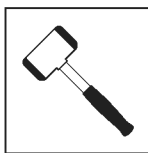
x2



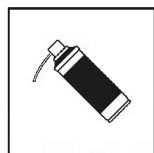
Töökindad



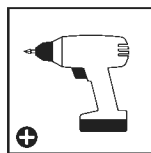
Vesilood



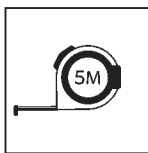
Kummist vasarat



Määrdeaine pihusti



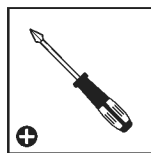
Akutrell - Rist kruvikeeraja otsaga



Mõõdulint



Mutrivõti  
10 mm | 13/32"



Rist kruvikeeraja

## ENNE KOKKUPANEKUT

1. Valige kokkupaneku eelselt hoolikalt selleks sobiv koht.
2. Aluspind peab olema täiesti tasane ja kindel ning tugeva põhjaga, nagu asfalt, betoon, tekk jms.
3. Vali päikseline asukoht, kus ei oleks varjuheitvaid puid.
4. Ärge paigutage toodet liigse tuulega kokkupuutuvale alale.
5. See toode tuleb paigutada ja kinnitada tasasele pinnale, et tagada selle stabiilsus.
6. Soovitame tungivalt kinnitada see toode kindlale alusele. kasutage eelnevalt puuritud avasid terasest aluses.
7. Lõpetage piirkonna ettevalmistamine enne osade lahtivõtmist ja kokkupanemisega alustamist.
8. Sorteerige osad ära ja kontrollige, et kõik osade nimekirjas leiduvad osad on olemas.
9. Soovitame asetada detailid käeulatusse. hoia väikeseid osi (kruvisid jms) kausis, et vaja ära ei kaoks.
10. Palun konsulteerige oma kohalike võimudega, kui toote kokkupanekuks on tarvis lubasid.

## KOKKUPANEKU AJAL

- Paneelide profiilide vahele libistamiseks võid kasutada silikoonist määrdepihustit.
- Ära pihusta polükarbonaadist paneelidele.
- Vajadusel kasuta kummist vasarat.
- **Sammud 15, 16, 23, 24, 26, 34, 35, 38, 39, 40, 42, 47, 50:**  
**Tähelepanu!** Iga kasvuhuone 3-st tarnitakse vastava paneelide komplektiga nagu on toodud detailide loetelus ja näidatud vastavates koostesammudes.



- Kui märkate informatsiooniikooni, vaadake täiendavaid märkuseid ja juhiseid vastava paigaldussammu alt.



- See ikoon viitab sellele, et paigaldaja peaks paiknema toote sees.



- See ikoon viitab sellele, et paigaldaja peaks paiknema väljaspool toodet.

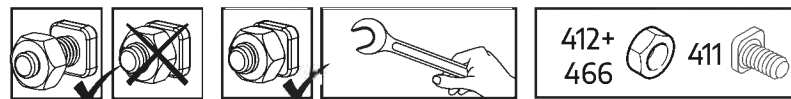


- Kõik paneelid, millel on väljend "THIS SIDE OUT", peavad olema suunaga väljapoole, et luua täielik UV-kaitse. Eemaldage plastkleebis, kui paneelid on paika lukustatud.

## OLULISED SOOVITUSED

- Kinnita toodet kindlalt tasasele pinnale kohe peale selle kokkupanemist toote pinnasesse ankurdamine on stabiilsuse ja jäikuse tagamiseks vältimatu.
- Selle etapi teostamine on garantii kehtimiseks kohustuslik.
- Kokkupaneku ajal kasutage osade all pehmet pinda, et vältida osade kriimustamist ja kahjustamist.
- Pinguldage kruvid alles siis kui toodet on komplekteeritud
- Kruvisid **411** ja mutreid **412 & 466** kasutatakse läbivalt kogu kokkupanemisprotsessi ajal.
- Kruvid **411** tuleb monteerida kasvuhuone väljastpoolt ja mutrid **412 & 466** seestpoolt.

- Kui ei ole teisiti määratletud, ärge kinnitage kruvisid ja mutreid (**411, 412 ja 466**) rohkem kui ainult 2-3 pööret. Ärge pingutage neid enne paneelide komplekti valmimist. Need kaks ikooni näitavad, kas kruvide pingutamine on vajalik või mitte.
- Mõne sammu puhul võib profiili kukkumise vältimiseks osutada vajalikuks mõnede kruvide ajutine kinnikruvimine..





## OLULISED KOKKUPANEMISSAMMUD

**Kui näete kokkupanemisel seda teabeikooni, palun vaadake vastavat kokkupanemisetappi oluliste lisakommentaaride saamiseks.**

**Samm 5:** Osad 994 ja 995 asuvad kasvahoone taga. Nende kinnitamine määrab kindlaks kasvahoone esikülje.

**Sammud 8, 11:** Risttugede 256 ovaalsed avad peavad olema kinnitatud kasvahoone põhja külge.

**Samm 9:** **Ukse paigaldamine:** Määrab kindlaks ukse suuna. Osa 987 on külg, kus ukse hinged asuma hakkavad. Ukse võib paigaldada kas vasaku- või parempoolse uksena. Käesolevates juhistes on toodu ukse paigaldamine parempoolsena.

**Samm 29:** **Akna paigaldamine:** Otsusta akna asukoht enne paigaldamist. Akna saab paigaldada ühte viidatud kohtadest.

**Samm 45:** Kui aken ei sulgu korralikult, lõdvenda kruvisid, kohanda profiili ja keera kruvi uuesti kinni.

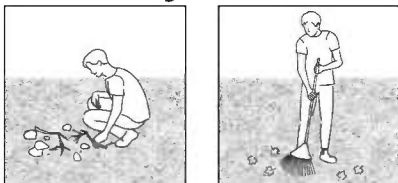


# TEREP ELŐKÉSZÍTÉSE ÉS ALAPOZÁS

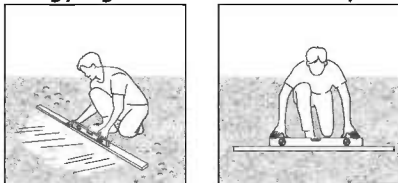
## A - TEREP ELŐKÉSZÍTÉSE

A felépítményt szilárd és vízszintes felületre kell építeni, hogy funkcióját megfelelően lássa el.

### 1 - Tisztítsa meg a területet



### 2 - Egyengetse vízszintesre a talajt



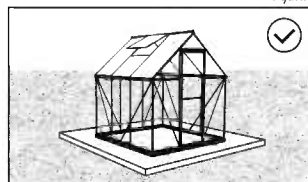
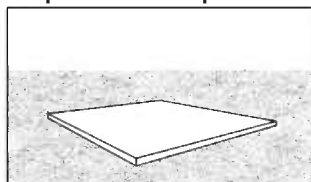
### FONTOS

Javasoljuk, hogy ellenőrizze, hogy milyen korlátozások vagy előírások vannak érvényben lakóhelyén ezen felépítményre vonatkozóan. Ezenkívül azt tanácsoljuk, hogy ellenőrizze, nincs-e szükség valamilyen formanyomtatvány, vagy engedély benyújtására a felépítés előtt.

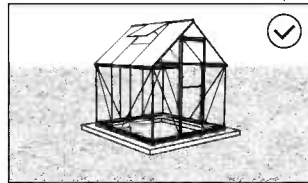
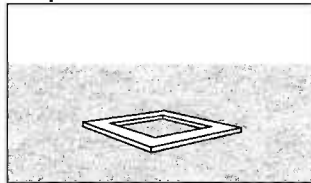
## B - VÁLASSZA ALAP TÍPUSÁT

Alapként három anyag típus használatát javasoljuk:  
Beton | nyomással kezelt fa/fa padlózat | Útburkoló elemek

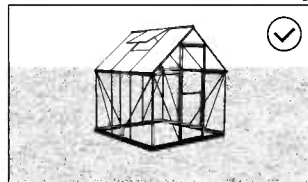
### 1. opció: szilárd alap



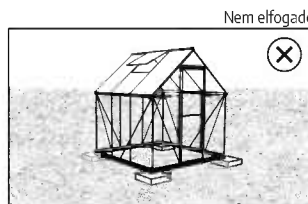
### 2. opció: szilárd keret



### 3. opció: szilárd talaj / fű

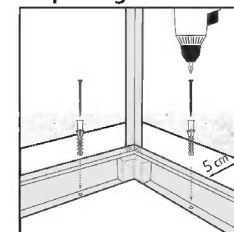


\* A megjelenített üvegház mérete csak szemléltetési célokat szolgál, és nem feltétlenül tükrözi az üvegház tényleges méretét.

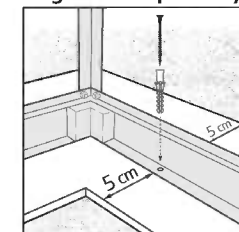


## C - RÖGZÍTÉS AZ ALAPHOZ

### Alapra rögzítse



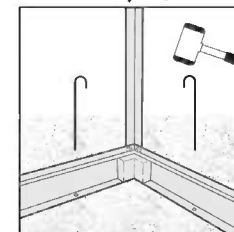
### Rögzíti a felépítményt



A terméket az Ön által választott erős alapra rögzítse, megfelelő csavarokkal és tiplikkel, vagy falazó horgonyokkal (nem tartozék).

Veenduge, et teil on vähemalt 5 cm | 2" toote aluse ja vundamendi servade vahel - **kõigil külgedel.**

### Földes talajon / fűvön



Rögzítse a terméket a talajnak megfelelő hosszú csapokkal (nem tartozék).

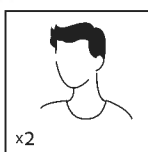
## BIZTONSÁGI TANÁCSOK

- Rendkívül fontos, hogy az összeszerelést az utasításoknak megfelelően végezze. Egyetlen lépést se hagyjon ki.
- Az összeszereléshez munkakesztyű használata ajánlott.
- Amikor préselt alumíniummal dolgozik, mindig viseljen cipőt és védőszemüveget.
- Amennyiben létrát vagy elektromos szerszámot használ, kövesse azok gyártójának a biztonsági utasításait is.
- Ügyeljen arra, hogy a préselt alumínium szelvények ne érjenek a felső vezetési elektromos kábelekbe.
- Az összeszerelést ne végezze szeles vagy nedves időben.
- Szabaduljon meg a műanyag zacskóktól. Tartsa azokat kisgyermekektől távol.
- A gyermekeket tartsa az összeszerelési területtől távol.
- Az összeszerelés során ne dőljön a terméket és ne is nyomja azt meg.
- A terméket ne állítsa fel erős szélnek kitett helyre.
- **Ne** álljon neki a melegház összeszerelésének, ha fáradt, ha kábítószerek vagy alkohol hatása alatt van, vagy ha gyakran szédülést érez.
- **Ne** tároljon olyan forró tárgyat, mint pl. egy röviddel azelőtt használt kerti grilt, gázüzemű forrasztópisztolyt, stb
- A tartócsövek leszúrása előtt bizonyosodjon meg arról, hogy nincsenek-e a talajban rejtett csövek vagy vezetékek.
- A termék elsődlegesen melegházként való használatra készült.
- **Kérjük, vegye figyelembe:** Erősen javasoljuk, hogy a terméket közvetlenül szilárd alapzatra rögzítse, növelve ezzel a termék stabilitását és szélállóságát súlyos időjárási körülmények között. Győződjön meg róla, hogy az összeszerelési terület, ill. termék végső helye között nincsenek-e akadályok. A Palram - Canopia rögzítő készletet külön megvásárolhatja.

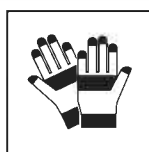
## TISZTÍTÁSI ÚTMUTATÓ

- Amikor a termék tisztításra szorul, használjon enyhe tisztítószeres oldatot, majd öblítse le hideg, tiszta vízzel.
- A panelek tisztításához ne használjon acetont, súrolószereket, vagy egyéb speciális tisztítószereket.
- A terméket csak a felszerelést követően tisztítsa meg.

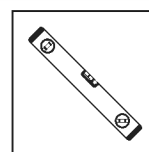
## SZERSZÁMOK ÉS KÉSZÜLÉKEK



- Az összeszereléshez két emberre van szükség



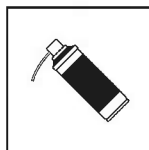
- Védőkesztyű



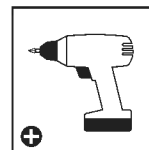
- vízmérték



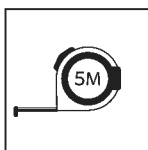
- Gumikalapácsot



- Kenőanyag spray



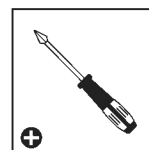
- Akkumulátoros fúró, Philips szárral (bittel)



- Mérőszalag



- Csavarkulcs  
10 mm | 13/32"



- Philips fejű csavarhúzó

## ELŐKÉSZÜLET AZ ÖSSZESZERELÉSHEZ

1. Mielőtt megkezdene az összeszerelést, gondosan válassza meg annak helyét.
2. A termék sima, egyenes felületen helyezze el
3. Válasszon egy napsütötte területet a túlnyúló fáktól.
4. A termék ne állítsa fel erős szélnek kitett helyre.
5. A termék stabilitásának biztosítása érdekében azt egy vízszintes felülethez és egy szilárd alaphoz kell rögzíteni. Ügyeljen arra, hogy a csavarok, rögzítőelemek megfeleljenek az alap típusának. Fontos, hogy az összeszerelési terület és a végleges hely között ne legyenek akadályok.
6. A hely előkészítését végezze el még az alkatrészek kicsomagolása és az összeszerelés megkezdése előtt.
7. Ellenőrizze, hogy megvan-e minden alkatrész, mely az alkatrészek tartalomjegyzékében található.
8. Az alkatrészeket lehetőleg a közelben helyezze el. Tartsa a kis alkatrészeket (csavarokat stb.) egy tálban, hogy ne vesszenek el.
9. Forduljon a helyi önkormányzatokhoz, esetleges építési engedélyek beszerzése érdekében.

## A SZERELÉS SORÁN

- Az oldaltábláknak a szelvényekve csúsztatásakor használhat szilikon sprayt.
- A polikarbonát táblákat ne fújja be.
- Ha szükséges, használjon gumikalapácsot.
- **15, 16, 23, 24, 26, 34, 35, 38, 39, 40, 42, 47, 50 lépés:**  
**Jegyezze meg!** Mind a 3 melegház a hozzáillő táblakészlettel érkezik, melyeket az alkatrészlistában és az ahhoz tartozó összeállítási lépésekben is megtalál.



- Ha az információs ikont látja, nézzen utána a hozzá tartozó összeállítási lépésnek, valamint a további megjegyzéseknek és segítségnek.



- Ez az ikon jelzi, hogy az összeszerelőnek a "termék" belsejében kell lennie.



- Ez az ikon jelzi, hogy az összeszerelőnek a "terméken" kívül kell lennie.

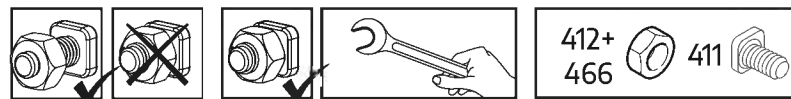


- A teljes UV-védelem biztosításához minden, a "THIS SIDE OUT" ("ezzel az oldallal kifelé") felirattal megjelölt panelnek kifelé kell néznie. Amint a paneleket a helyükre rögzítette, húzza le róluk a műanyag matricákat.

## FONTOS AJÁNLÁSOK

- Az összeállítás után azonnal rögzítse a termék egyenletes helyzetbe. A termék rögzítése a talajhoz elengedhetetlen annak stabilitásához és merevségéhez.
- Ezt a jótállás érvényesítése érdekében is el kell végezni.
- Az összeszerelés során használjon valamilyen puha borítást a talajon, hogy elkerülje az alkatrészek megkarcolódását, vagy egyéb károkat.
- Húzza meg az összes csavart az összeszerelés befejezése után.
- Az összeszerelés során a csavarokra **411** és a csavaranyákra **412 & 466** lesz szükség.
- A csavarokat **411** a melegház külsejéről, a csavaranyákat **412 & 466** pedig a belsejéből kell szerelni.

- A csavarokat és a csavaranyákat (**411 és 412 & 466**) ne szorítsa meg 2-3 fordulatnál jobban. Ne szorítsa meg őket egészen addig, míg az oldaltáblákat teljesen fel nem szereli, kivéve, ha ez máshogy van megadva.
- Egyes lépéseknél néhány csavart átmenetileg meg kell szorítani, hogy a szelvény ne tudjon leesni.





## FONTOS ÖSSZESZERELÉSI LÉPÉSEK

**Amikor összeszerelés során ezzel az információs ikonnal találkozik, úgy kérjük, olvassa el a vonatkozó összeszerelési lépést a további fontos megjegyzésekkel kapcsolatban.**

### 5. lépés:

A 994 és a 995 számú alkatrészek a melegház hátulján találhatóak. A felszerelésük határozza meg a melegház elülső oldalának az elhelyezkedését.

### 8, 11. lépés:

A kereszttrúd 256 ovális nyílását mindig a melegház alapjához kell szerelni.

### 9. lépés:

**Az ajtó összeszerelése:** Meghatározza az ajtó irányát. A 987 számú alkatrész azon az oldalon van, ahol az ajtó zsanérjai lesznek. Az ajtó balkezes és jobbkezes ajtóként is felszerelhető. Jelen útmutató a jobbkezes beszerelést mutatja.

### 29. lépés:

**Az ablak beszerelése:** A beszerelés előtt döntse el, hova szeretné, hogy kerüljön az ablak. Az ablak a jelzett helyek bármelyikére beszerelhető.

### 45. lépés:

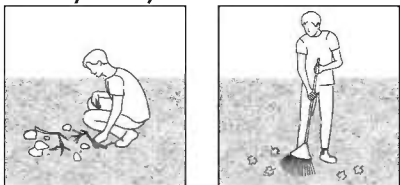
Amennyiben az ablak nem csukódik megfelelően, lazítsa ki a csavarokat, állítson a szelvényen, majd szorítsa meg a csavart.

# PRZYGOTOWANIE MIEJSCA & FUNDAMENTY

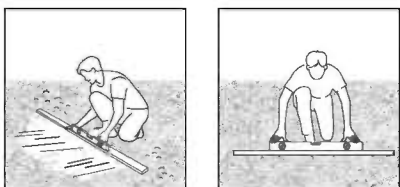
## A - PRZYGOTUJ MIEJSCE

Produkt należy **wznieść na solidnej**, wyrównanej powierzchni, aby efekt był prawidłowy.

### 1 - Oczyszczyć miejsce



### 2 - Wyrównaj podłoże



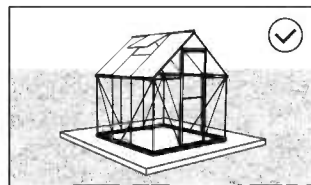
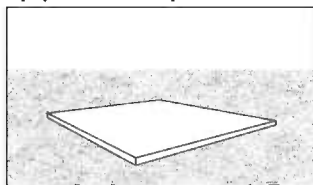
### WAŻNE

Zalecamy zapoznać się z ograniczeniami bądź przepisami dla wznoszenia tego typu produktów w swojej okolicy. Dodatkowo radzimy sprawdzić, czy nie należy złożyć określonych formularzy oraz czy nie są wymagane pewne pozwolenia przed wzniesieniem produktu.

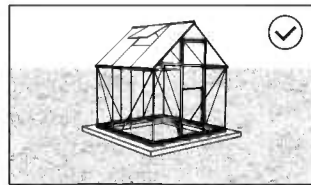
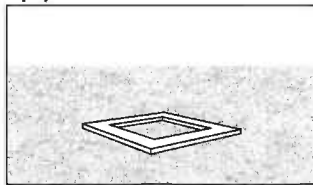
## B - WYBIERZ TYP FUNDAMENTÓW

Do budowy podstawy polecamy trzy typy materiałów :  
Beton | Drewno impregnowane ciśnieniowo/podkład drewniany | Kostka brukowa

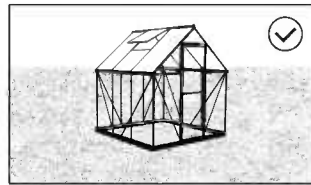
### Opcja 1: Solidna podstawa



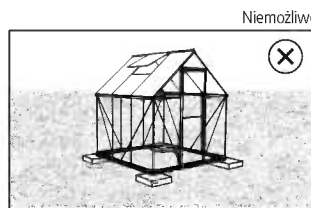
### Opcja 2: Solidna rama



### Opcja 3: Twarde podłoże / trawa

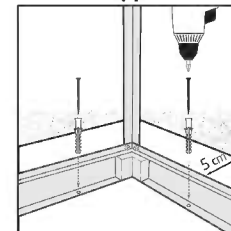


\* Rozmiar przedstawionej szklarni ma jedynie charakter poglądowy i może nie odzwierciedlać rozmiaru Twojej szklarni.

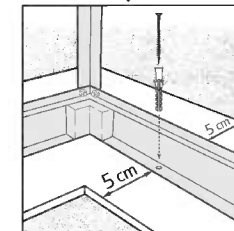


## C - ZAKOTWICZENIE DO FUNDAMENTÓW

### Na solidnej podstawie



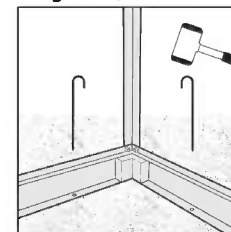
### Na solidnej ramie



Zamocuj produkt do fundamentów wybranego typu przy użyciu odpowiednich śrub i wtyków bądź kotwi murarskich (brak w zestawie).

Upewnij się, że masz co najmniej 5 cm | 2 cale pomiędzy ramą produktu a krawędziami fundamentów - **ze wszystkich stron.**

### Na glebie / trawie



Przymocuj produkt do podłoża przy użyciu odpowiednich długich palików (brak w zestawie).

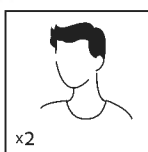
## RADY DOT. BEZPIECZEŃSTWA

- Dokonuj montażu zgodnie z niniejszą instrukcją.
- Używaj rękawic ochronnych.
- Podczas pracy z profilami aluminiowymi używaj obuwia i okularów ochronnych.
- Stosuj się do zasad bezpieczeństwa producenta dotyczących narzędzi i innego sprzętu.
- Uważaj, aby profile aluminiowe nie stykały się z kablami ani przewodami elektrycznymi.
- Nie próbuj montować produktu podczas wiatru lub deszczu.
- Materiały, z których wykonano opakowanie, należy zutylizować zgodnie z obowiązującymi przepisami.
- Przechowuj torebki plastikowe w miejscu niedostępnym dla dzieci – ryzyko uduszenia.
- Dzieci powinny znajdować się w bezpiecznej odległości od miejsca pracy.
- Podczas montażu nie naciskaj na produkt ani się o niego nie opieraj.
- Nie umieszczaj produktu w miejscu, w którym będzie narażony na działanie silnego wiatru.
- Nigdy nie próbuj montować produktu w przypadku zmęczenia ani pod wpływem narkotyków, alkoholu czy leków.
- Nie należy przechowywać gorących przedmiotów, na przykład niedawno używanych grillów, lamp lutowniczych itp. w produkt.
- Ten produkt został zaprojektowany do wykorzystania głównie jako szklarnia.
- **Uwaga:** Zalecamy przytwierdzić produkt bezpośrednio do trwałego fundamentu, aby zwiększyć stabilność produktu i odporność na wiatr w obszarach o trudnych warunkach pogodowych. Upewnij się, że pomiędzy miejscem montażu a produktem nie ma żadnych przeszkód. Zestaw mocujący Palram - Canopia można zakupić osobno.

## INSTRUKCJE CZYSZCZENIA

- Do czyszczenia produkt należy użyć delikatnego środka czyszczącego i spłukiwać zimną wodą.
- Do mycia paneli nie używaj acetonu, ściernych środków czyszczących ani innych substancji chemicznych.
- Wyczyść produkt po zakończonym montażu.

## NARZĘDZIA I SPRZĘT

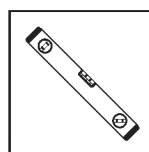


Wymagane  
Dwie Osoby

x2



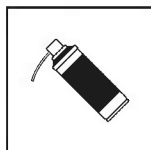
Rękawice Robocze



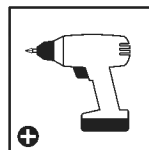
Poziomica



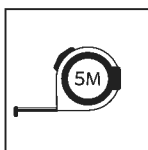
Gumowego  
młotka



Smar w Sprayu



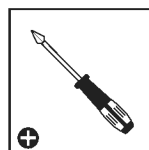
Wkrętarka Akumulatorowa  
- Końcówka Krzyżakowa



Miarka



Klucz Płaski  
10 mm | 13/32"



Śrubokręt Krzyżakowy

## PRZED MONTAŻEM

1. Wybierz swoją witrynę dokładnie przed rozpoczęciem montażu.
2. Podłoga musi być idealnie płaska i wyrównana a także wykonana z solidnego materiału, taki jak beton, asfalt, kamień, itp.
3. Wybierz słoneczne miejsce z dala od drzew, które by je zacieniały.
4. Nie ustawiaj produkt w miejscu wystawionym na działanie silnego wiatru.
5. W celu zakotwiczenia produkt użyj wyznaczonego zestawu do zakotwiczenia producenta.
6. Zakotwiczenia produkt można także dokonać poprzez wwiercenie profili podstawy i zamocowanie ich do ziemi używając śrub doziemnych lub gwoździ (nie są one zawarte w zestawie).
7. Należy przygotować teren pod budowę zanim rozpakujemy części produkt izacniemy montaż.
8. Posortuj części i sprawdź zgodnie z listą części zawartości.
9. Części powinny być położone blisko, w zasięgu ręki. Małe części (np. śróbki) należy przechowywać w odpowiednim naczyniu tak, aby ich nie zgubić.
10. Należy skonsultować się z lokalnymi władzami, jeśli wymagane są jakiegokolwiek pozwolenia przed rozpoczęciem budowy produkt.

## PODCZAS MONTAŻU

- Upewnij się, że podstawa jest kwadratowa poprzez pomiar przekątnych oraz, że jest równa, używając poziomicy.
- Możesz użyć silikonowego lubrykantu w sprayu aby wspomóc wsunięcie paneli do profili.
- Nie stosuj sprayu na panelach poliwęglanowych.
- W razie potrzeby użyj gumowego młotka.
- **Kroki 15, 16, 23, 24, 26, 34, 35, 38, 39, 40, 42, 47, 50:**  
**Proszę pamiętać!** Każda z 3 szklarni posiada zestaw kompatybilnych paneli, jak pokazano w spisie zawartości i w odpowiednich krokach montażu.



- Ikona informacyjna wskazuje na konieczność zapoznania się z dodatkowymi informacjami dotyczącymi danego etapu montażu.



- Ta ikonka informuje, iż osoba montująca powinna znajdować się w środku domku.



- Ta ikonka informuje, iż osoba montująca powinna znajdować się na zewnątrz domku.

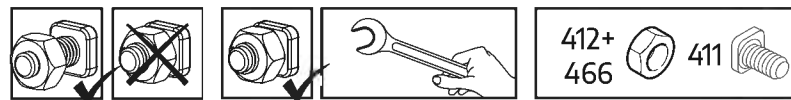


- Wszystkie panele oznaczone "THIS SIDE OUT" muszą być zwrócone na zewnątrz aby stworzyć pełną ochronę UV. Usuń plastikową naklejkę po umieszczeniu paneli na miejscach.

## WAŻNE ZALECENIA

- Prosimy zauważyć, że zakotwiczenie produktu do ziemi jest kluczowe dla jego stabilności i sztywności.
- Aby Państwa gwarancja zachowała ważność niezbędne jest wykonanie tego etapu.
- Počas montáže použite pod časťami mäkký povrch, aby ste sa vyhli poškrabaniu a poškodeniu.
- Dokręć wszystkie śruby po zakończeniu montażu.
- Śruby **411** i nakrętki **412 & 466** używane są w trakcie trwania całego procesu montażu.
- Śruba **411** powinna być włożona od zewnątrz, a nakrętka **412 & 466** od wewnątrz szklarni.

- Nie dokręcaj śruby **411** i nakrętki **412 & 466** o więcej niż 2-3 obroty. Jeżeli nie podano inaczej, nie należy ich dokręcać, dopóki wszystkie panele nie zostaną zamontowane. Te 2 ikony wskazują czy dokręcenie śruby jest wymagane czy nie.
- Podczas wykonywania niektórych etapów montażu konieczne może okazać się czasowe mocne dokręcenie kilku śrub w celu uniknięcia zapadnięcia się rusztowania.





## WAŻNE KROKI MONTAŻU

**Kiedy napotkasz taką ikonę informacyjną w trakcie montażu, prosimy zapoznać się z odpowiednim krokiem montażu opatrzonym ważnym komentarzem dodatkowym.**

**Krok 5:** Elementy **994** i **995** znajdują się z tyłu cieplarni. Ich montaż określa przód cieplarni.

**Kroki 8, 11:** Owalny otwór na poprzeczkach **256** zawsze powinien być zamontowany w podstawie cieplarni.

**Krok 9:** **Montaż drzwi:** Określa kierunek otwierania się drzwi. Element nr **987** to bok, na którym będą umieszczone zawiasy drzwi. Drzwi mogą być zamontowane, by otwierać się albo z lewej, albo z prawej strony. Niniejsza instrukcja przedstawia montaż drzwi otwieranych z prawej strony.

**Krok 29:** **Montaż okna:** Przed montażem należy zdecydować, gdzie umieścić okno. Okno może być zainstalowane w jednym ze wskazanych możliwych miejsc.

**Krok 45:** Jeśli okno nie zamyka się prawidłowo, proszę poluzować śrubki, wyregulować profil, po czym dokręcić śrubki.

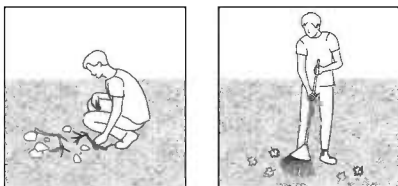


# ПОДГОТОВКА ПЛОЩАДКИ И ФУНДАМЕНТ

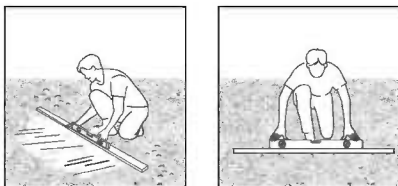
## А - ПОДГОТОВЬТЕ ПЛОЩАДКУ

Изделие необходимо сооружать на **твёрдой и выровненной** поверхности для обеспечения его надлежащего функционирования.

### 1 - Очистите площадку



### 2 - Выровняйте грунт



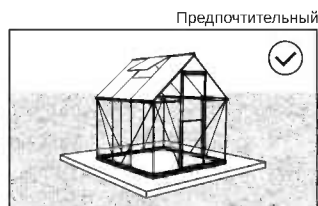
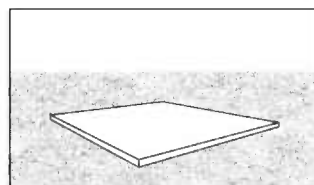
#### ВАЖНО

Мы рекомендуем проверить наличие ограничений или особых условий, относящихся к сооружению изделия на Вашем участке. Кроме того, перед началом сооружения изделия мы рекомендуем проверить необходимость предоставления каких-либо заполненных форм или получения разрешений.

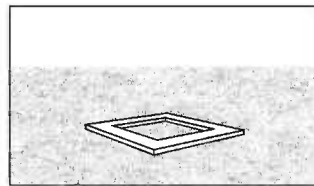
## В - ВЫБЕРИТЕ ТИП ФУНДАМЕНТА

Для основания (фундамента) мы рекомендуем использовать три типа материалов:  
Бетон | Пропитанную древесину/деревянный настил | Блоки дорожных плит

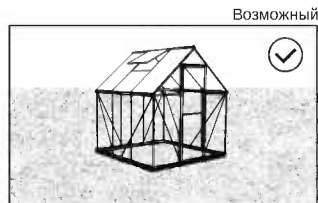
### Вариант 1: Сплошное основание



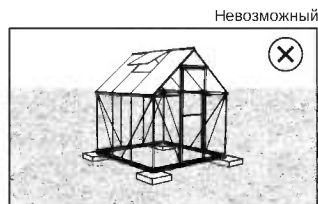
### Вариант 2: Цельная рама



### Вариант 3: Плотный грунт / почва

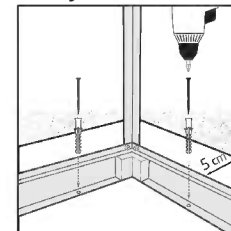


\* Указанный на рисунке размер теплицы приведен исключительно для наглядности и может не отражать реальные размеры вашей теплицы.

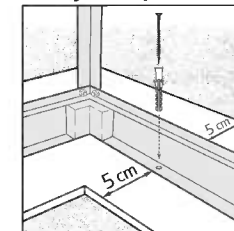


## С - КРЕПЛЕНИЕ К ФУНДАМЕНТУ

### В случае сплошного



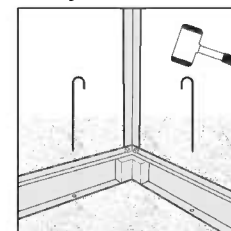
### В случае цельной



Основания прикрепите изделие к выбранному фундаменту с помощью подходящих винтов и заглушек или анкеров для крепления в каменной кладке (не входят в комплект поставки).

Убедитесь, что между основанием изделия и краями основания **со всех сторон** есть не менее 5 см | 2".

### В случае плотного грунта / почвы закрепите



изделие на поверхности грунта с помощью подходящих длинных колышков (не входят в комплект поставки).

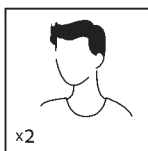
## РЕКОМЕНДАЦИЯ ПО ТЕХНИКЕ БЕЗОПАСНОСТИ

- Крайне важно монтировать все компоненты в соответствии с указаниями. Не пропускайте ни один из этапов сборки.
- При сборке настоятельно рекомендуется использовать перчатки.
- Всегда надевайте обувь и защитные очки при работе с экструдированным алюминием
- Если Вы пользуетесь лестницей или электроинструментами, обязательно следуйте инструкциям изготовителя по технике безопасности.
- Не допускайте соприкосновения наружных силовых кабелей с алюминиевыми профилями.
- Не пытайтесь монтировать товар в ветреную погоду или при влажных погодных условиях.
- Размещайте все пластиковые мешки в безопасном месте, храните их в недоступном для детей месте.
- Не пускайте детей на монтажную площадку.
- Не прислоняйтесь и не давите на парниковые конструкции во время сборки.
- Не размещайте Ваш товар в местах, подверженных воздействию сильного ветра.
- Не пытайтесь собирать товар, если вы устали, приняли лекарство или алкоголь, или если Вы подвержены приступам головокружения.
- Горячие предметы, такие как недавно использованные грили, паяльные лампы и т.д., не должны храниться в парнике. Прежде, чем вбивать колышки, убедитесь в том, что в земле нет скрытых труб или кабелей.
- Товар спроектирован, чтобы использоваться главным образом как парника.
- **Обратите внимание:** мы настоятельно рекомендуем закрепить продукт непосредственно на прочном основании, чтобы повысить устойчивость продукта и сопротивление ветру в районах с суровыми погодными условиями. Убедитесь, что между местом сборки и конечным положением изделия нет препятствий. Комплект для крепления Palram - Sanoria можно приобрести отдельно.

## ИНСТРУКЦИИ ПО УБОРКЕ

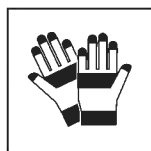
- Чтобы очистить продукт, используйте раствор мягкого моющего средства и смойте средство после очищения холодной водой.
- Не используйте ацетон, абразивные чистящие средства или другие специальные моющие средства для чистки панелей.
- Очистите продукт после завершения сборки.

## ИНСТРУМЕНТЫ И ОБОРУДОВАНИЕ

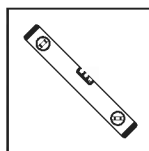


- Требуется два человека

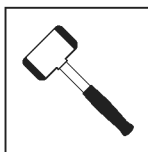
x2



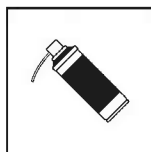
- Рабочие перчатки



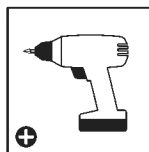
- Спиртовой уровень



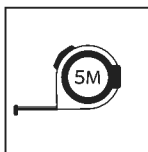
- Резиновый молоток



- Силиконовая смазка спрей



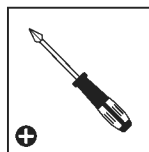
- Аккумуляторный шуруповёрт крестообразный шлиц



- Рулетка измерительная



- Гаечный ключ 10 mm | 13/32"



- Отвертка с крестообразным шлицем

## ПЕРЕД НАЧАЛОМ СБОРКИ

1. Перед началом сборки тщательно выберите место.
2. Примечание: данный продукт необходимо надежно закрепить на ровном и устойчивом основании. Проверьте, чтобы шурупы и дюбеля подходили к выбранного типа основания. Убедитесь, что между местом сборки и конечным положением продукта нет никаких препятствий.
3. Выберите солнечное место в стороне от нависающих деревьев.
4. Не размещайте свой продукт в местах, подверженных сильным ветрам.
5. Мы настоятельно рекомендуем прикрепить этот товар непосредственно к монолитному бетонному фундаменту. При этом следует использовать предварительно просверленные отверстия в металлическом основании.
6. Пожалуйста, ознакомьтесь со всеми инструкциями перед началом сборки. Выполните все действия по сборке в точном порядке.
7. Отсортируйте детали и проверьте их список.
8. Детали должны быть расположены под рукой. Храните все мелкие детали (винты и т. д.) в глубокой таре, чтобы они не потерялись.
9. Проконсультируйтесь с местными органами власти, если требуется разрешение до начала сборки продукта.

## ПРИМЕЧАНИЯ ПО СБОРКЕ

- Вы можете использовать силиконовую смазку-спрей, чтобы было проще вставлять панели в профили.
- Не распыляйте спрей на поликарбонатные панели.
- При необходимости используйте резиновый молоток.
- **Шаги 15, 16, 23, 24, 26, 34, 35, 38, 39, 40, 42, 47, 50:**  
**Обратите внимание!** Каждая из 3-х теплиц поставляется со совместимым набором панелей, как показано в списке содержимого и в соответствующих этапах сборки.



- Если во время сборки вы увидите значок информации, ознакомьтесь с описанием соответствующего шага сборки. В нем будут приведены дополнительные комментарии, которые помогут вам.



- Этот значок означает, что выполняющему сборку лицу нужно находиться внутри изделия.



- Этот значок означает, что выполняющему сборку лицу нужно находиться снаружи изделия.

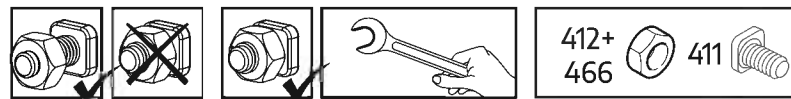


- Все панели должны быть установлены стороной с пометкой "THIS SIDE OUT" наружу для создания надежной защиты от ультрафиолетовых лучей. После того, как панели зафиксированы на месте, удалите этикетки с их поверхности.

## ВАЖНЫЕ РЕКОМЕНДАЦИИ

- Плотно закрепите товар в горизонтальном положении сразу же после завершения сборки. Крепление этого продукта к полу является обязательным для его устойчивости и прочности.
- Необходимо завершить эту стадию, чтобы ваша гарантия была действительной.
- Во время сборки используйте мягкую поверхность под деталями, чтобы избежать царапин и повреждений.
- При завершении сборки затяните все гайки.
- Винты **411** и гайки **412** и **466** используются во время всего процесса сборки.
- Винты **411** должны быть в сборке с наружной стороны парника, а гайки располагаться во внутренней части парника.

- Не закрепляйте винты и гайки (**411, 412 и 466**) более чем на 2-3 оборота.
- Не затягивайте их до завершения сборки панелей, если нет иных указаний.
- Однако, на некоторых этапах, временное полное затягивание нескольких винтов может быть необходимо для предотвращения падения профиля, это необходимо до тех пор, пока он не будет полностью соединен к конструкциям в следующих этапах.





## ВАЖНЫЕ ЭТАПЫ СБОРКИ

Если во время сборки вам встречается такая справочная иконка, необходимо обратиться к соответствующему этапу сборки для ознакомления с дополнительными важными замечаниями.

**Шаг 5:** Части **994** и **995** находятся в задней части теплицы. После их закрепления будет понятно, где находится лицевая сторона теплицы.

**Шаг 8, 11:** Овальное отверстие в ригелях **256** всегда должны быть направлено при сборке к основанию теплицы.

**Шаг 9:** **Сборка двери:** Определяет направление двери. Часть **987** - это сторона, где будут располагаться петли. Дверь может быть закреплена как с левой, так и правой стороны. Эти инструкции показывают сборку двери, закрепленную с правой стороны.

**Шаг 29:** **Сборка окна:** До сборки выберите место для окна. Окно можно установить согласно одному из указанных вариантов.

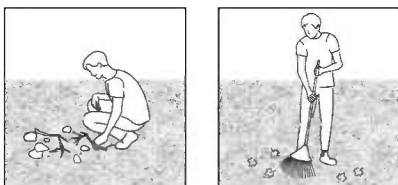
**Шаг 45:** Если окно не закрывается должным образом, пожалуйста, отпустите винты, отрегулируйте профиль и затяните винты.

# VIETAS SAGATAVOŠANA UN PAMATOJUMS

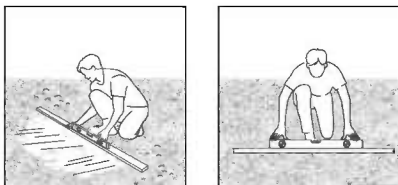
## A - SAGATAVOJIET VIETU

Lai izstrādājums kalpotu pareizi, tam jābūt uzbūvētam uz **cietas un izlīdzinātas** virsmas.

### 1 - Notīriet vietu



### 2 - Nolīdziniet zemi



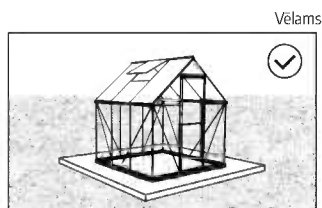
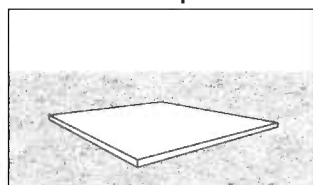
### SVARĪGI

Mēs iesakām pārbaudīt ierobežojumus vai līgumus attiecībā uz šī izstrādājuma būvniecību jūsu reģionā. Turklāt iesakām pārbaudīt, vai pirms tā būvēšanas jums nav nepieciešami formulāri vai atļaujas.

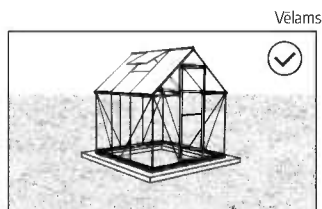
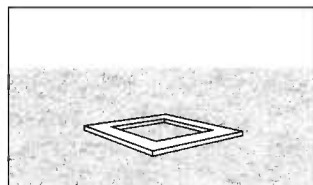
## B - IZVĒLIETIES PAMATA VEIDU

Pamatam iesakām izmantot trīs materiālu veidus:  
Betonu | Ar spiedienu apstrādātu koksni/koksnes klāju | Bruģakmeņu blokus

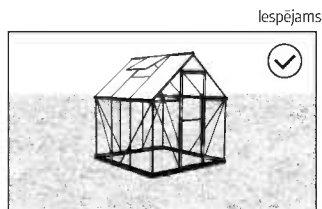
### 1. variants: cieta pamatne



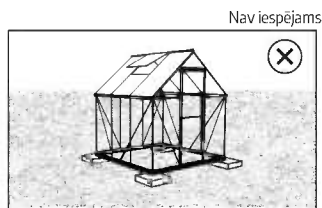
### 2. variants: ciets rāmis



### 3. variants: cieta zeme / zāle

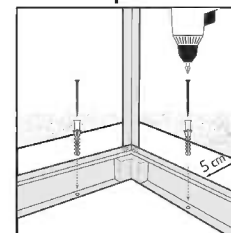


\* Parādītās siltumnīcas lielums ir paredzēts tikai ilustratīviem nolūkiem, un tas var neatspoguļot jūsu siltumnīcas lielumu.

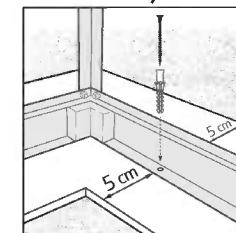


## C - PAMATA STIPRINĀŠANA

### Uz cieta pamatnes



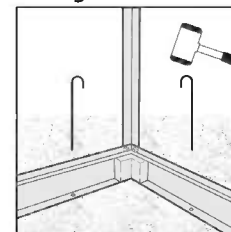
### Uz cieta rāmja



Piestipriniet izstrādājumu pie izvēlētā pamata, izmantojot piemērotas skrūves un aizbāžņus vai mūra enkurskrūves (nav iekļautas komplektā).

Pārliecinieties, ka attālums starp izstrādājuma pamatni un pamata malām ir vismaz 5 cm | 2 - **collas katrā pusē.**

### Uz augsnes / zāles



Piestipriniet produktu pie zemes virsmas, izmantojot piemērotas garas tapas (nav iekļauts komplektā).

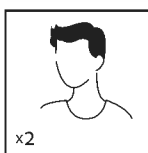
## DROŠĪBAS PADOMI

- Ir ļoti svarīgi uzstādīt visas detaļas pēc norādījumiem. Neizlaidiet nevienu soli.
- Mēs dziļi iesakām uzvilkt cimdus montāžas laikā.
- Vienmēr nēsājiet apavus un drošības brilles, kad rīkojieties ar presētu alumīniju.
- Ja izmantojiet saliekamās kāpnēs vai ar elektrību darbināmus instrumentus pārliedzieties, ka ievērojāt ražotāja dotos padomus par drošību.
- Neaizskariet virs galvas esošus elektrības vadus ar alumīnija profiliem.
- Nemēģiniet montēt produktu vējainos vai mitros apstākļos.
- Atbrīvojieties no visiem plastikāta iesaiņojumiem droši un glabājiet tos maziem bērniem nepieejamās vietās.
- Nelaidiet bērnus montāžas vietā.
- Neatbalstieties un nestumiet izstrādājumu montāžas laikā.
- Nenovietojiet siltumnīcu vietās, kas pakļautas pārmērīgi vējainiem laika apstākļiem.
- Nemēģiniet montēt produktu, ja esat noguris, esat lietojis medikamentus, zāles vai alkoholu vai ja jums ir reiboņi.
- Karsti priekšmeti, piemēram, nesen izmantoti grili, lodlampas u.tml. priekšmeti, nedrīkst tikt uzglabāti izstrādājumā.
- Pārliedzieties, ka zemē neatrodas apslēptas caurules vai elektrības vadi pirms ievietojiet tapas.
- Šo izstrādājumu ir paredzēts lietot galvenokārt kā siltumnīcu..
- **Lūdzu, nemiet vērā:** mēs iesakām precīzi noenkurot izstrādājumu tieši uz stingra pamata, lai palielinātu produkta stabilitāti un vēja izturību tādos apgabalos, kuros ir smagi laika apstākļi. Pārliedzieties, ka starp montāžas zonu un produkta galīgo stāvokli nav šķēršļu. Palram - Canopia enkurošanas komplektu var iegādāties atsevišķi.

## TĪRĪŠANAS NORĀDĪJUMI

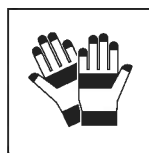
- Lai tīrītu produktu, izmantojiet vieglu mazgāšanas līdzekļa šķīdumu un noskalojiet ar tīru un aukstu ūdeni.
- Paneļu tīrīšanai neizmantojiet acetonu, abrazīvus tīrīšanas līdzekļus vai citus īpašus mazgāšanas līdzekļus.
- Notīriet produktu, kad montāža ir pabeigta.

## RĪKI UN APRĪKOJUMS

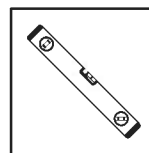


Vajadzīgi divi cilvēki

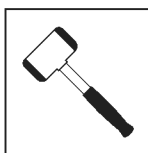
x2



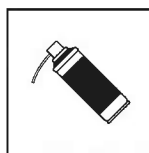
Darba cimdi



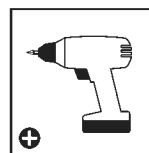
Līmeņrādis



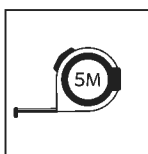
Gumijasto kladīvo



Smērvielu smidzinātājs



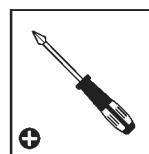
Bezvada urbis -  
Philips galva



Mērlenta



Uzgriežņu atslēga  
10 mm | 13/32"



Philips galvas  
skrūvgriezis

## PIRMS MONTĀŽAS

1. Pirms montāžas rūpīgi izvēlieties vietu.
2. Zemes virsmai jābūt pilnīgi plakana un nolīmeņotai, un tai jābūt ar cietu pamatni, piemēram, betonu, asfaltu, koka klāju utt.
3. Izberite sončno mesto, v bližini ne sme biti visokih dreves.
4. Rastlinjaka ne postavite na območje, ki je izpostavljeno močnemu vetru.
5. Piezīme: Šim produktam jābūt piestiprinātam pie izlīdzinātas virsmas un stingra pamata, lai nodrošinātu tā stabilitāti. Pārliecinieties, ka skrūves un enkurskrūves ir saderīgas ar pamata tipu. Pārliecinieties, ka starp montāžas zonu un galējo izvietojumu nav šķēršļu.
6. Pabeidziet vietnes sagatavošanu pirms detaļu izsaiņošanas un montāžas sākuma.
7. Razvrstīte dele in po seznamu preverīte, ali so vsi deli priloženi.
8. Dele razvrstīte tako, da bodo pri roki. Vse majhne dele (vijake itd.) shranite v posodo, da jih ne izgubite.
9. Lūdzu, pirms produkta būvniecības konsultējieties ar vietējām varas iestādēm, gadījumā ja ir nepieciešamas kādas atļaujas.

## MONTĀŽAS LAIKĀ

- Za pomoč pri vstavljanju plošč v profil lahko uporabite silikonsko mazalno razpršilo.
- Ne pršite po polikarbonatnih ploščah.
- Po potrebi uporabite gumijasto kladivo.
- **Darbības 15, 16, 23, 24, 26, 34, 35, 38, 39, 40, 42, 47, 50:**  
**Lūdzu, ņemiet vērā!** Kā norādīts satura elementu sarakstā un attiecīgās montāžas darbībās, katrai no 3 siltumnīcām līdzī nāk tām piemērots panelu komplekts.



- Ja uzduroties informācijas ikonai, lūdzu, skatīties attiecīgo montāžas soli papildus komentāriem un palīdzībai.



- Ta ikona pomeni, da mora biti sestavlja vec znotraj proizvoda.



- Ta ikona pomeni, da mora biti sestavlja vec izven proizvoda.

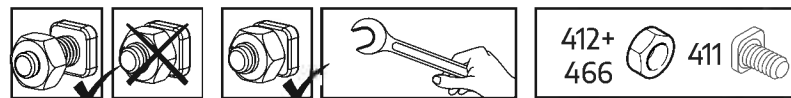


- Visiem paneliem, kas ir apzīmogoti ar uzrakstu "THIS SIDE OUT", ir jābūt vērstiem uz āru, lai radītu pilnīgu UV aizsardzību. Neņemiet plastmasas uzlīmi, kad paneli bloķēti savās vietās.

## SVARĪGI IETEIKUMI

- Rastlinjak trdno pritrđdite na ravno površino takoj po zaključenem sestavljanju.
- Sidranje tega proizvoda v tla je bistvenega pomena za njegovo stabilnost in trdnost. To fazo morate opraviti, če želite, da bo vaša garancija veljavna.
- Med sestavljanjem položite mehko podlago pod dele, da se izognete praskam in poškodbam.
- Po končani sestavi zategnite vse vijake.
- Vijaki **411** in matice **412** in **466** se uporabljajo skozi celoten postopek sestave.
- Vijake **411** je treba postaviti na zunanjo stran, matice **412** in **466** pa na notranjo stran rastlinjaka.

- Če ni določeno drugače, vijakov in matic (**411, 412 in 466**) ne privijte za več kot 2-3 obrata. Ne zategnite jih pred zaključkom sestave panelov. Ti dve ikoni označujeta, če je zategovanje vijakov potrebno ali ne.
- Vendar pa je pri nekaterih korakih morda potrebno začasno zategniti nekaj vijakov, da se prepreči zdrs profila..





## SVARĪGAS DARBĪBAS MONTĀŽAI

**Saskaroties ar šo informācijas ikonu montāžas laikā, lūdzu, skatiet attiecīgo montāžas darbību, lai iegūtu svarīgus papildu komentārus.**

- 5. solis:** A994, A995 detaļas ir siltumnīcas aizmugurē. To piestiprināšana nosaka siltumnīcas priekšpusi.
- 8, 11. soli:** Ovālais caurums šķērsstienī Nr. 256 jāpievieno siltumnīcas pamatnei.
- 9. solis:** **Durvju montāža:** Durvis var tikt uzstādītas, lai tās vērtos, gan uz labo, gan kreiso pusi. Šī instrukcija norāda montāžu durvīm, kas veras uz labo pusi.

- 29. solis:** **Logu salikšana:** pirms salikšanas nolemiet par loga atrašanās vietu. Logu var uzstādīt vienā no norādītajām opcijām.
- 45. solis:** Gadījumā, ja logs nav aizvērts pareizi, atbrīvojiet skrūves, pielāgojiet profilam un pievelciet skrūvi.

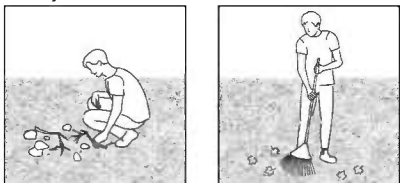


# PŘÍPRAVA A ZALOŽENÍ MÍSTA

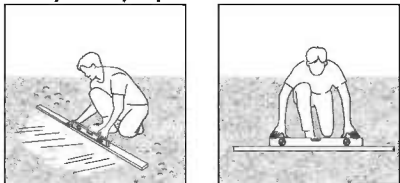
## A - PŘIPRAVTE SI MÍSTO

Produkt musí být postaven na **pevném a vyrovnaném** povrchu, aby fungoval správně.

### 1 - Vyčistěte místo



### 2 - Vyrovnejte povrch



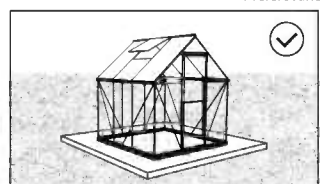
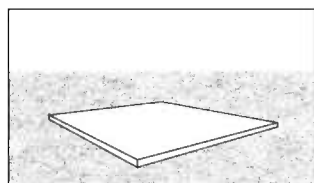
### DŮLEŽITÉ

Doporučujeme zkontrolovat omezení nebo smlouvy týkající se výroby tohoto produktu ve vaší oblasti. Kromě toho doporučujeme před výrobou produktu zkontrolovat, zda potřebujete odeslat nějaké formuláře nebo zda je třeba nějaké povolení.

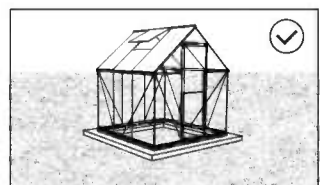
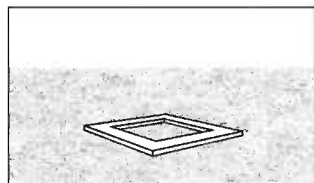
## B - VYBERTE SI TYP PODLOŽENÍ

Pro základnu doporučujeme použít tři typy materiálů:  
Beton | Tlakově upravené dřevo/dřevěná paluba | Dlažební kostky

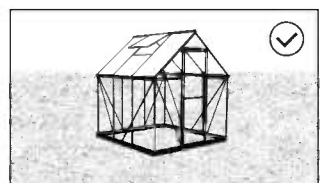
### Možnost 1: Pevná základna



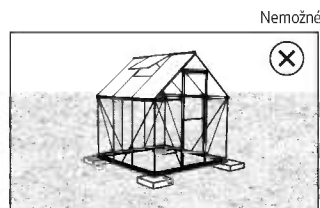
### Možnost 2: Masivní rám



### Možnost 3: Pevná zem / tráva

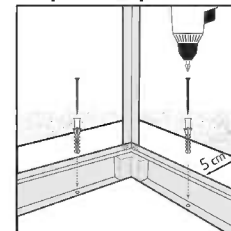


\* Velikost zobrazeného skleníku slouží pouze pro ilustraci a nemusí odrážet velikost vašeho skleníku.

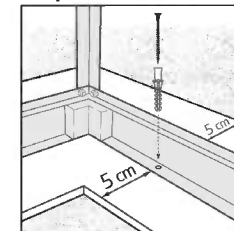


## C - UPEVNĚNÍ PODLOŽENÍ

### Na pevném podkladu



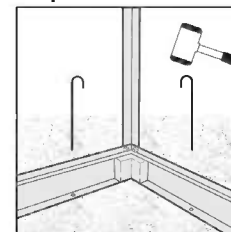
### Na pevném rámu



Připevněte produkt k podložení dle vašeho výběru pomocí vhodných šroubů a hmoždinek nebo zdicích kotev (nedodané).

Ujistěte se, že je alespoň 5 cm | 2" mezi základnou produktu a okrajem základny - **na všech stranách**.

### Na půdu/trávu



Připevněte produkt k povrchu země pomocí vhodných dlouhých kolíků (nejsou součástí dodávky).

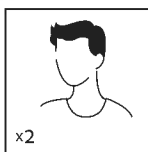
## BEZPEČNOSTNÍ RADA

- Je nanejvýš důležité sestavit všechny části podle návodu. Nevynechávejte žádný krok.
- Důrazně doporučujeme při sestavování používat pracovní rukavice.
- Při práci s extrudovaným hliníkem noste vždy obuv a ochranné brýle.
- Pokud používáte schůdky nebo elektrické nástroje, ujistěte se, že můžete dodržet bezpečnostní pokyny jejich výrobce.
- Nedotýkejte se nadzemních elektrických kabelů hliníkovými profily.
- Nepokoušejte se provádět montáž produkt za větrného nebo deštivého počasí.
- Bezpečně vyhodte plastové obaly - uchovávejte je mimo dosah dětí.
- Zabraňte dětem v přístupu do oblasti montáže.
- Během stavby se o produkt neopírejte a netlačte na něj.
- Produkt neumísťujte do míst vystavených nadměrnému větru
- Nepokoušejte se provádět montáž produkt, jestliže jste unavení, požili jste drogy, léčiva nebo alkohol, nebo pokud máte sklon k závratím.
- Ve produktu nesmí být skladovány horké předměty, jako např. nedávno používané grily, autogeny atd.
- Před vložením kolíků (nejsou součástí dodávky) zajistěte, aby v zemi nebyly žádné skryté trubky nebo kabely.
- Tento produkt byl navržen především pro používání jako skleník.
- **Upozornění:** Důrazně doporučujeme kotvit tento výrobek přímo na pevný základ, aby se zvýšila jeho stabilita a odolnost proti větru v oblastech s nepříznivými povětrnostními podmínkami. Ujistěte se, že mezi montážní oblastí a konečnou polohou výrobku nejsou žádné překážky. Sada Palram - Canopia Anchoring je k dostání samostatně.

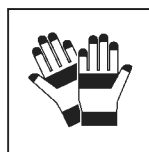
## NÁVOD K ČIŠTĚNÍ

- K čištění produkt používejte slabý roztok saponátu, který poté opláchněte studenou čistou vodou.
- K čištění panelů nepoužívejte aceton, drhnuocí čisticí prostředky, ani jiné speciální odmašťovací prostředky.
- Po dokončení montáže očistěte produkt.

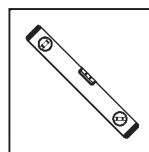
## NÁSTROJE A ZAŘÍZENÍ



Potřebné dvě osoby



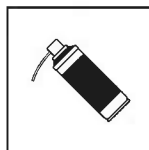
Pracovní rukavice



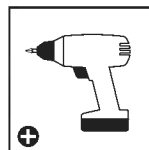
Vodováha



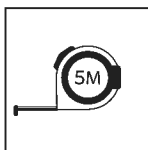
Gumovou paličku



Sprej na mazivo



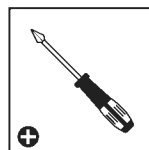
Akumulátorová vrtačka - křížová hlava



Svinovací metr



Klíč  
10 mm | 13/32"



Šroubovák s křížovou hlavou

## PŘED MONTÁŽÍ

1. Produkt musí být umístěn a upevněn na rovném povrchu.
2. Roztřídte součásti a zkontrolujte podle seznamu obsahu.
3. Zvolte slunečné umístění daleko od přesahujících stromů.
4. Produkt neumísťujte do míst vystavených nadměrnému větru.
5. Poznámka: Tento výrobek musí být upevněn na vyrovnaný povrch a pevný podklad, aby byla zajištěna jeho stabilita. Ujistěte se, že šrouby a upevnění jsou kompatibilní se základovým typem. Ujistěte se také, že mezi oblastí sestavy a konečnou polohou nejsou žádné překážky. Výrobek musí být umístěn a upevněn na rovnou plochu. Důrazně doporučujeme tento výrobek zajistit přímo na pevný podklad. Použijte předvrtané otvory v ocelové základně.
6. Dokončete přípravu místa před rozbalením dílů a začátkem montáže.
7. Před vybalením dílů a zahájením montáže dokončete přípravu místa kde se bude konat montáž.
8. Seřadte součásti a zkontrolujte je vůči seznamu součástí.
9. Součásti by měly být rozloženy na dosah ruky. Malé součásti (šroubky atd.) dejte do misky, aby se neztratili.
10. Kérjük, forduljon a helyi hatósághoz, ha engedélyköteles az termék felépítése.

## POZNÁMKY BĚHEM MONTÁŽE

- Můžete použít silikonový lubrikační sprej, aby vám panely sklouzly lépe do profilů.
- Nesprejujte na polykarbonátové panely.
- Použijte gumovou paličku, pokud je to nutné.
- **Kroky 15, 16, 23, 24, 26, 34, 35, 38, 39, 40, 42, 47, 50:**  
**Prosím, všimněte si!** Jak je uvedeno v seznamu obsahu a v příslušných montážních krocích, každý ze 3 skleníků je vybaven soupravou kompatibilních panelů.



- Když narazíte na informační ikonu, podívejte se prosím na příslušný montážní krok na doplňující komentáře a rady.



- Tato ikona ukazuje, že osoba sestavující kůlnu by měla být uvnitř objektu



- Tato ikona ukazuje, že člověk sestavující kůlnu by se měl nacházet vně objektu.

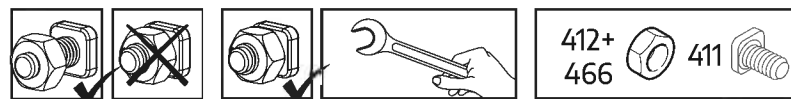


- Vezměte prosím na vědomí, že panely instalujete stranou s ochranou proti UV záření ven (označeno "THIS SIDE OUT") Odstraňte plastovou nálepku, když panely budou na místě.

## DŮLEŽITÁ DOPORUČENÍ

- Okamžitě po dokončení montáže pevně připevněte produkt do rovné polohy. Ukotvení tohoto produktu k zemi je nezbytné pro jeho stabilitu a pevnost.
- Aby byla vaše záruka platná, je nutné dokončit tento krok.
- Při montáži podložte součásti něčím s měkkým povrchem, abyste zamezili vzniku škrábanců a poškození.
- Na konci montáže dotáhněte všechny matice.
- Šrouby **411** a matice **412 & 466** se používají během celého procesu montáže.
- Šrouby **411** jsou určeny pro montáž z vnějšku a matice **412 & 466** zevnitř skleníku.

- Neutahujte šrouby a matice (**411 & 412,466**) více než o 2 až 3 otáčky. Nedotahujte je, dokud nedokončíte sestavování panelů, pokud není uvedeno jinak.
- Nicméně, v některých krocích je nutné dočasně přišroubovat pár šroubků, aby se zabránilo spadnutí profilu..





## DŮLEŽITÉ MONTÁŽNÍ KROKY

Když se během montáže setkáte s touto informační ikonou, další důležité poznámky najdete v příslušném montážním kroku.

**Krok 5:** Části **A994, A995** jsou v zadní části skleníku. Jejich připevnění rozhodne o přední části skleníku.

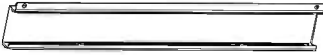

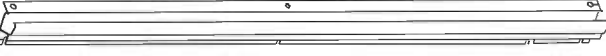

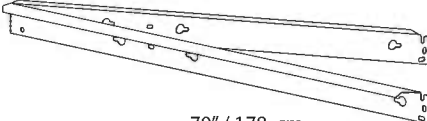
**Kroky 8, 11:** Oválná díra v břevnu **A256** musí být vždy zmontována do základny skleníku.






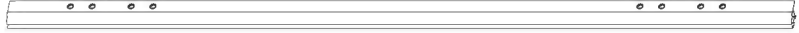
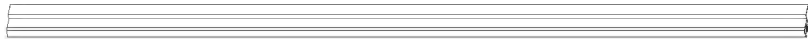



**Krok 9:** **Montáž dveří:** Rozhoduje o směru dveří. Součást # **987** je strana, na které budou umístěny dveřní panty. Dveře mohou být namontovány buď jako dveře pro leváky nebo pro praváky. Tyto instrukce ukazují montáž pro praváky.

**Krok 29:** **Montáž okna:** Před montáží rozhodněte o umístění okna. Okno může být namontováno do jedné z uvedených možností.

**Krok 45:** V případě, že se okno správně nezavřelo, prosím uvolněte šroubky, upravte profil a utáhněte šroubek.

# Contents

Item		Qty.
7596	23" / 58.6 cm	2
		
7597	46.7" / 118.6 cm	4
		
976	47" / 119 cm	2
		
977	47" / 119 cm	1
		
955	70" / 178 cm	1
		

Item			Qty.
994	67" / 170 cm		1
			
995	67" / 170 cm		1
			
987	65" / 165 cm		1
			
988	65" / 165 cm		1
			
985	64" / 163 cm		2
			

# Contents

Item	Qty.
256 50.5" / 129 cm	4

993 46" / 117 cm	4
------------------	---

996 46" / 117 cm	8
------------------	---

8447	2
------	---

7602	4
------	---

3017 21" / 53 cm	2
3016 64" / 163 cm	1

Item	Qty.
553	1

7010	2
------	---

559	2
560	2

7011	12
------	----

570	1
-----	---

567	2
-----	---

Item	Qty.
989 24" / 61.5 cm	1

991 24" / 61.5 cm	1
-------------------	---

992 23" / 58 cm	2
-----------------	---

984 22" / 55 cm	2
-----------------	---

981 22.3" / 56 cm	4
-------------------	---

959	1
-----	---

Item	Qty.
8549	2

999 22" / 56 cm	5
-----------------	---



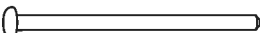
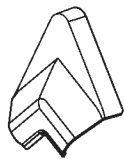
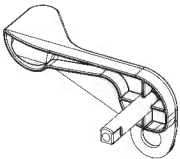


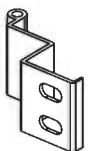
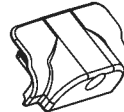
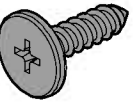
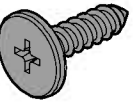
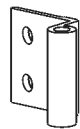
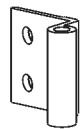
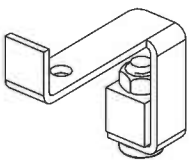
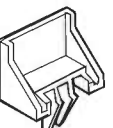
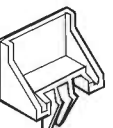


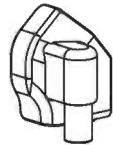
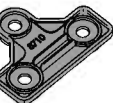
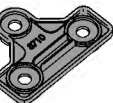


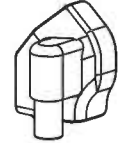
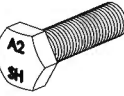
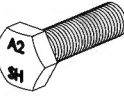
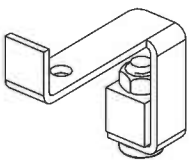
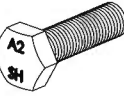


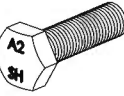
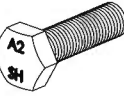



986 25" / 63 cm	1
-----------------	---

983 18.5" / 47 cm	1
-------------------	---

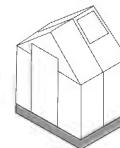
990 22" / 56 cm	1
-----------------	---

956	1
-----	---

# Contents

Item	Qty.	Item	Qty.	Item	Qty.	Item	Qty.	Item	Qty.
4008	8 (+1)	411	87 (+11)	463	2	343	2	7083	1
									
4043	2 (+3)	412	88 (+11)	462	2	329	2	7084	1
									
7442	36 (+2)	8797	1	464	4	4037	1	7085	1
									
328	15 (+1)	8798	1	465	8 (+1)	344L	2	7086	1
									
8710	2	8801	1	422	8 (+1)	344R	2	7088	1
									
410	1	8799	1	318 PVC	7 (+1)	7009 (PVC)	2 (+1)	423	1
									
410	1	8800	1	461	2				
									
410	1	466	2						
									

1



7597

x4

7596

x2

8447

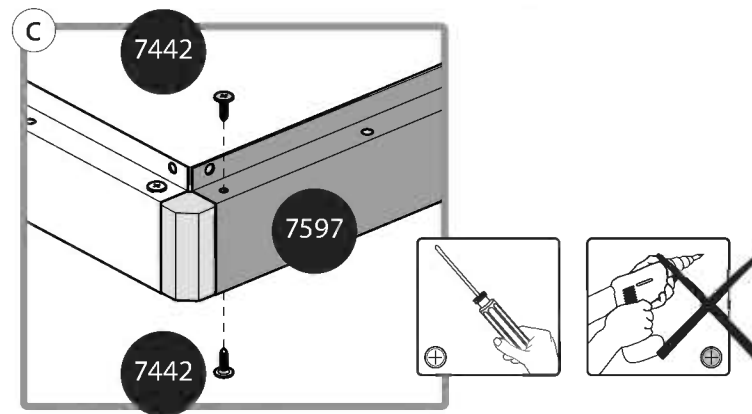
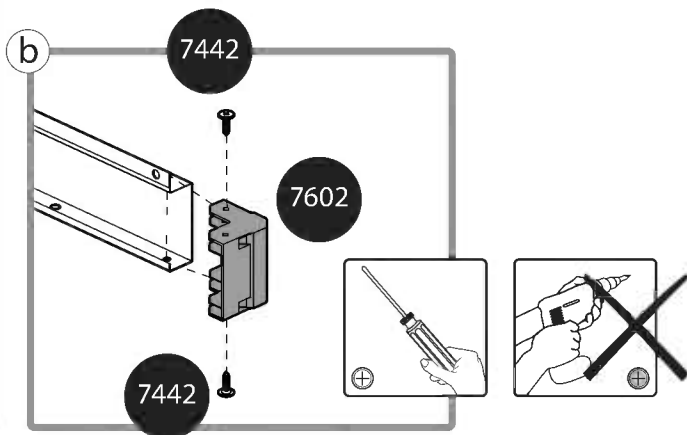
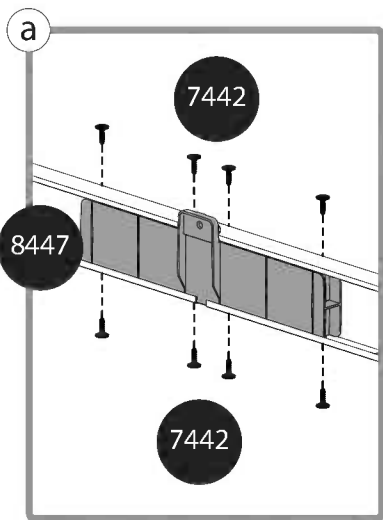
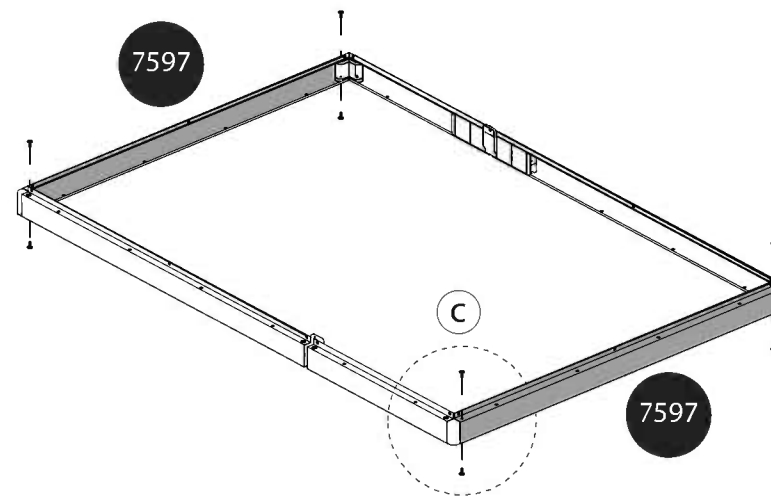
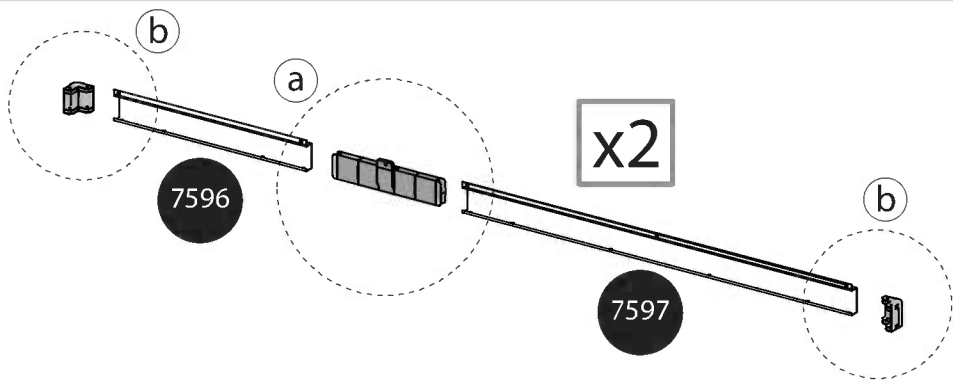
x2

7602

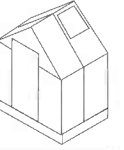
x4

7442

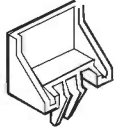
x32



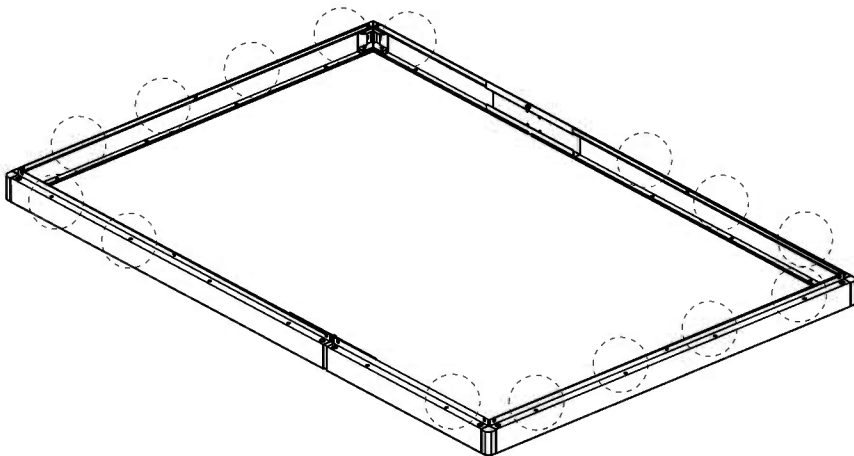
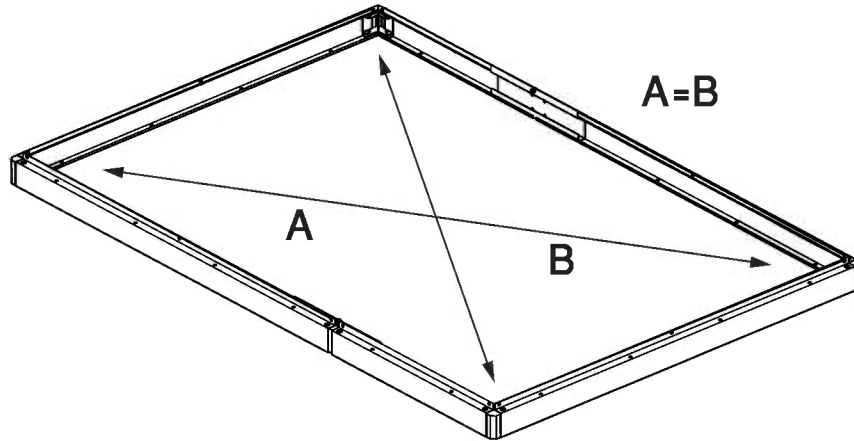
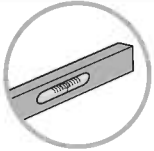




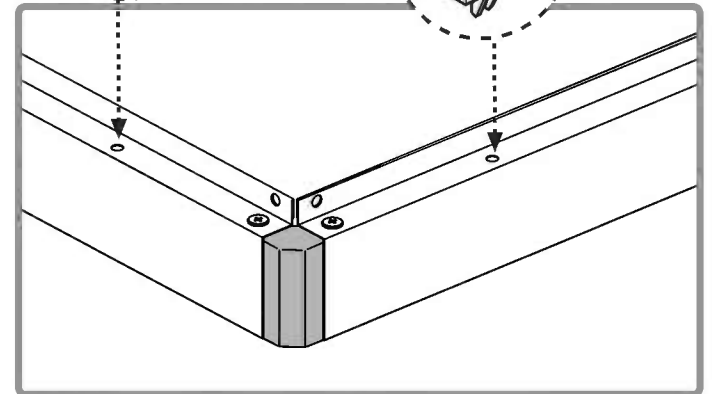
P328

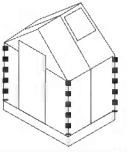






x15

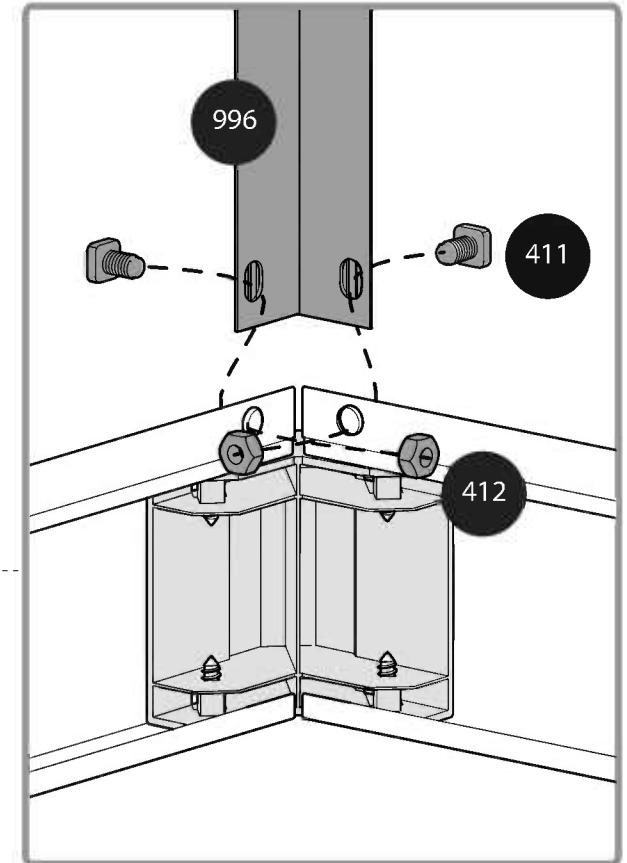
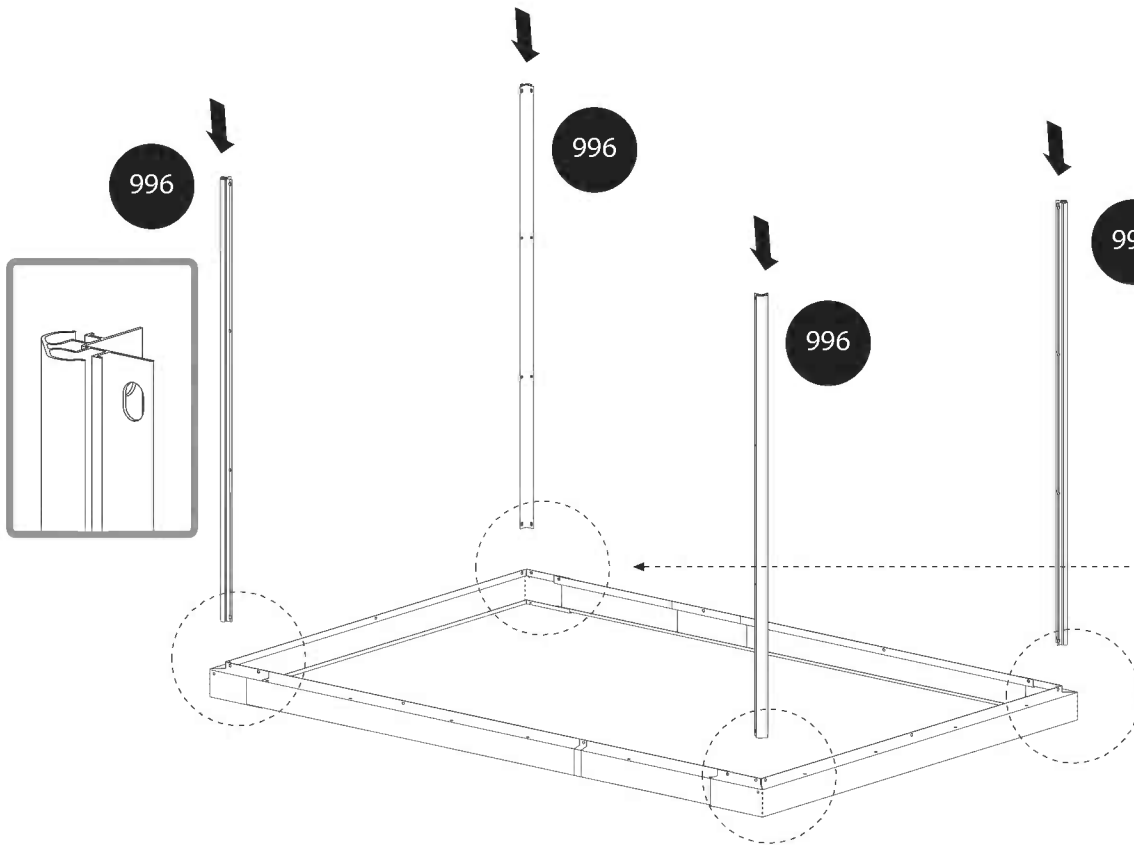


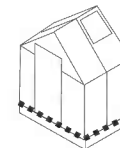
P328






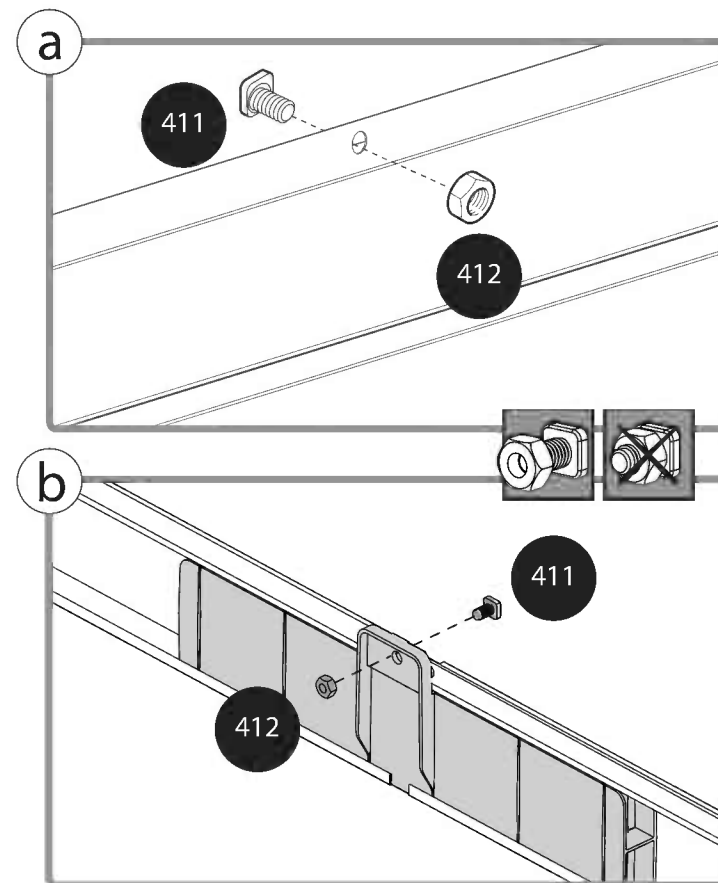
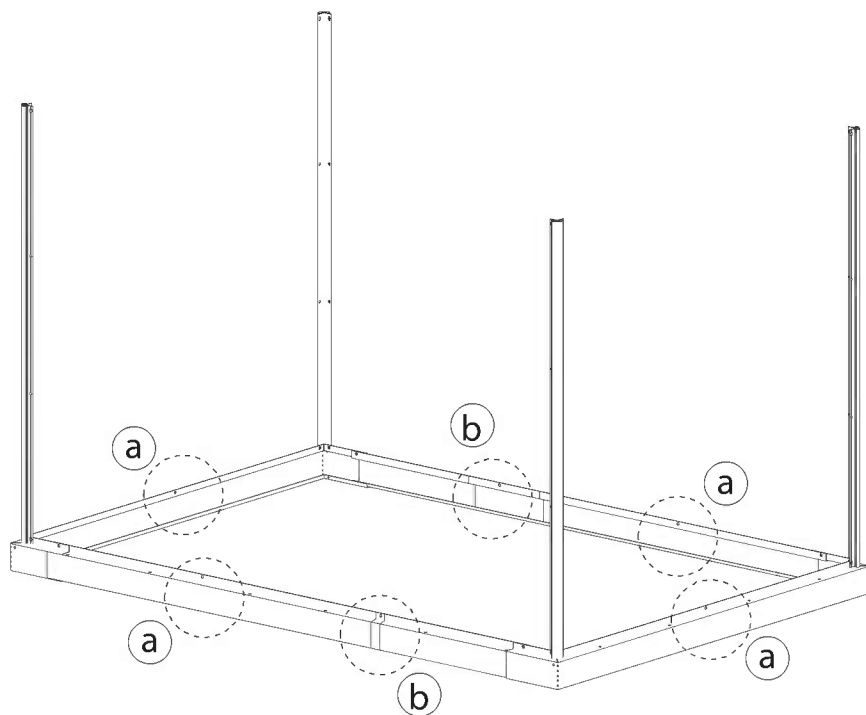
- 996   x4
- 412  x8
- 411  x8

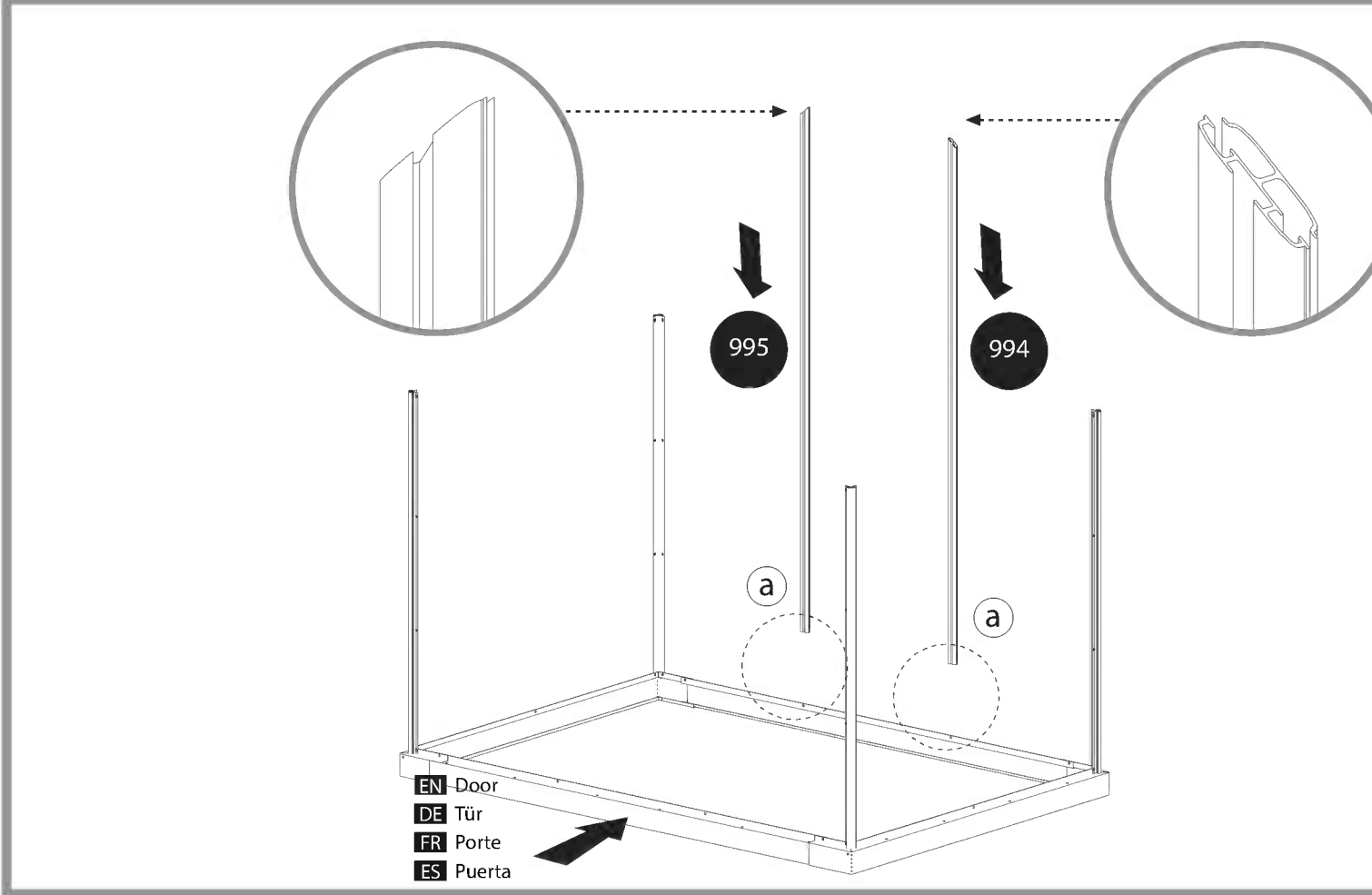
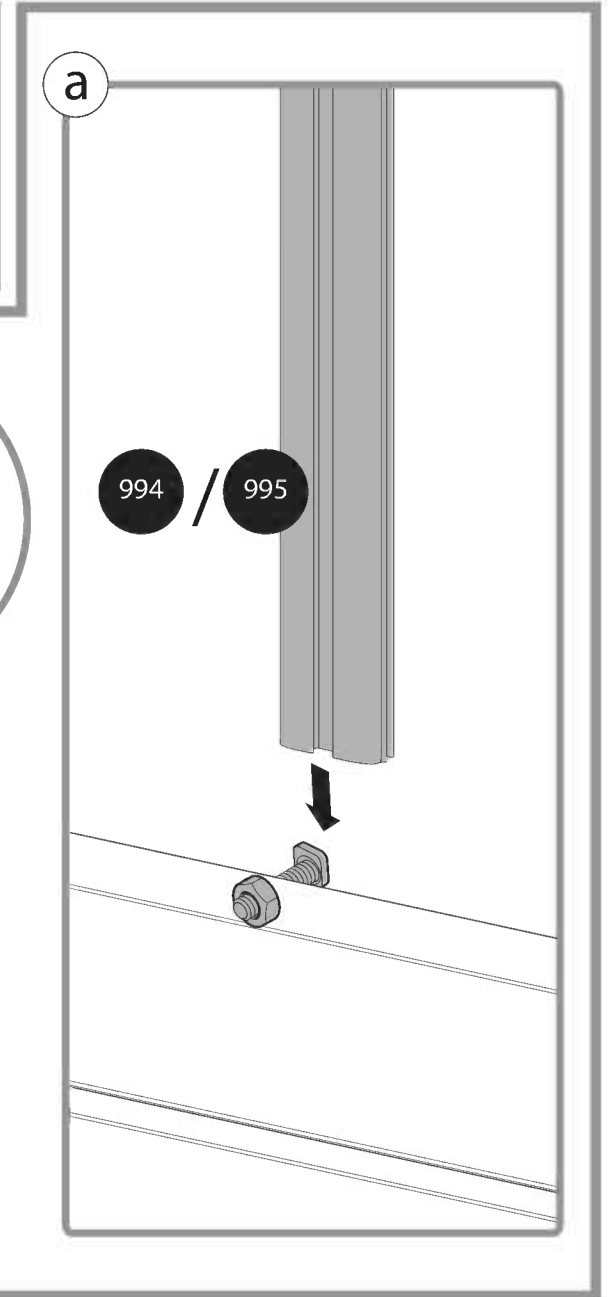
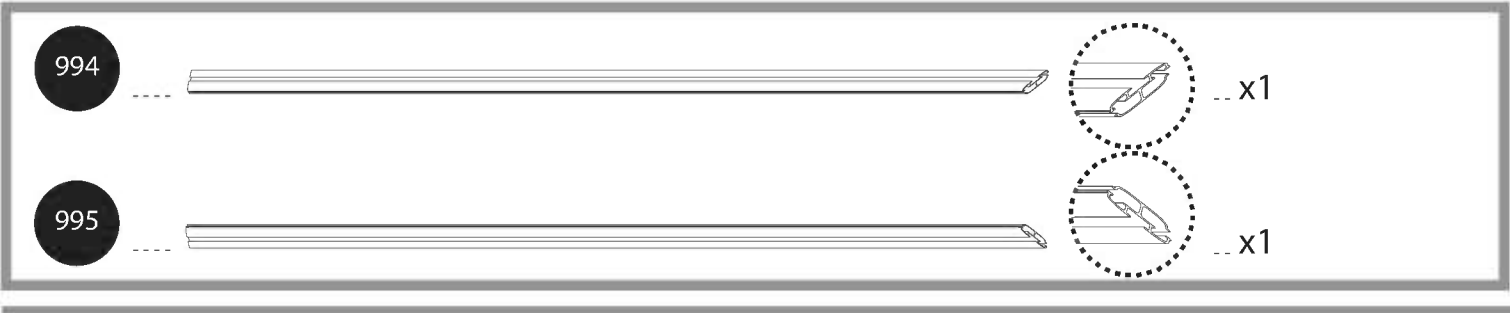
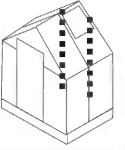




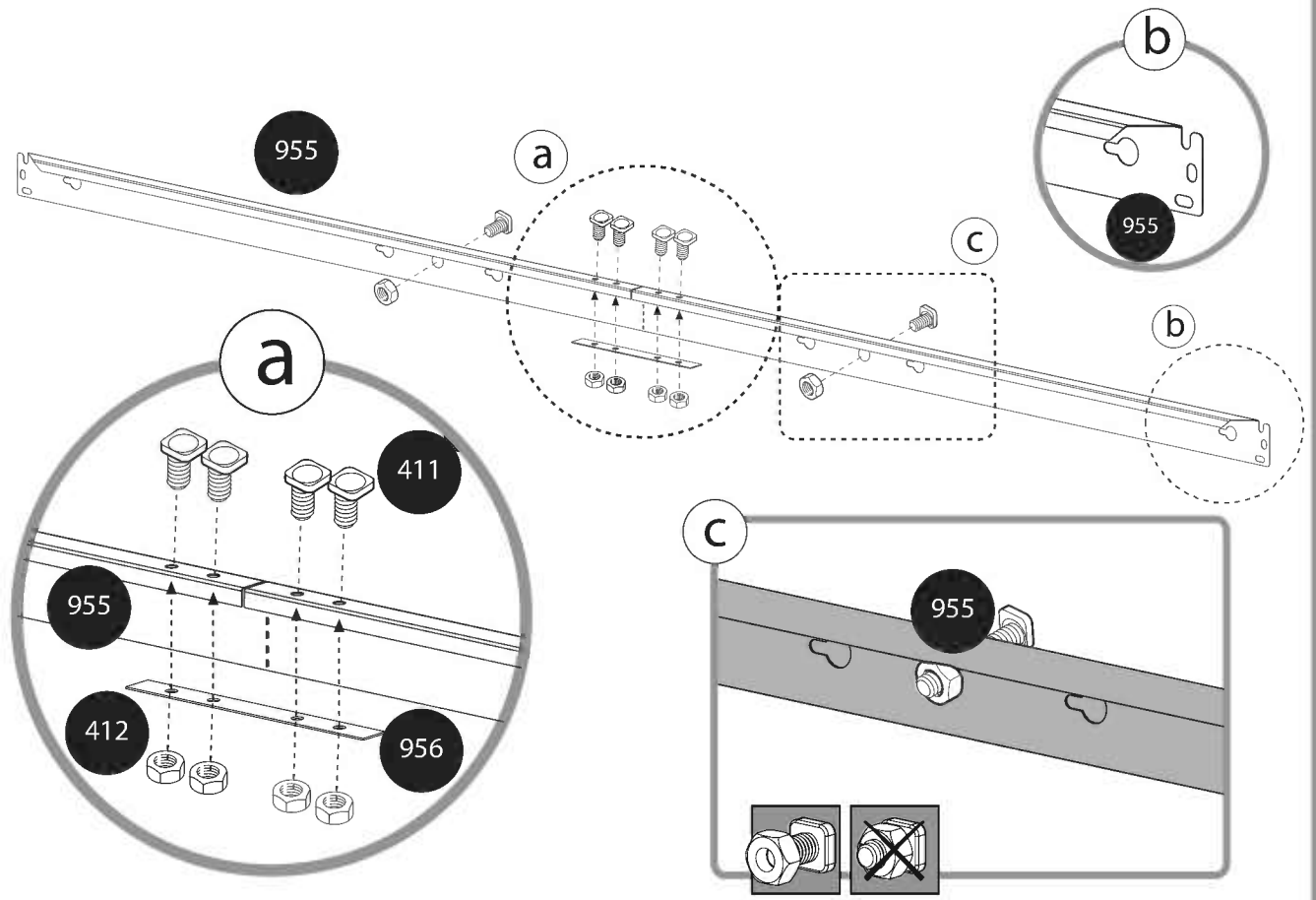
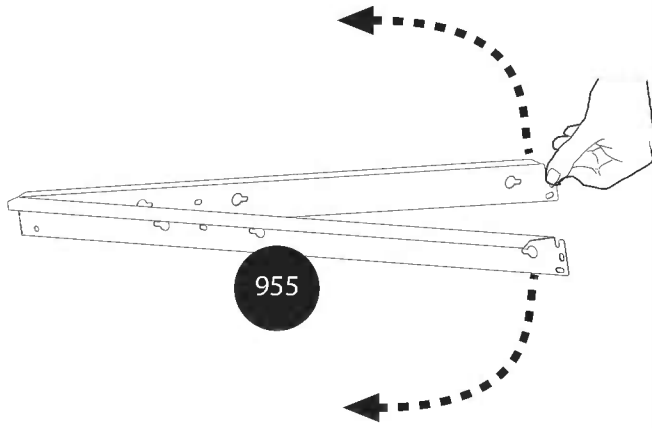
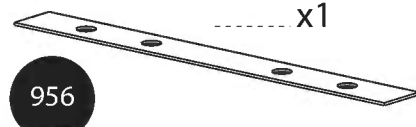
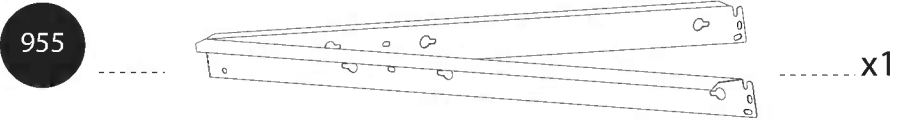
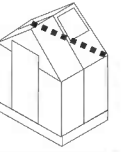
412 .....  ..... x6

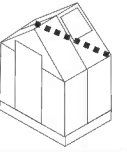
411 .....  ..... x6



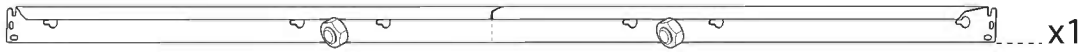


EN Door  
DE Tür  
FR Porte  
ES Puerta





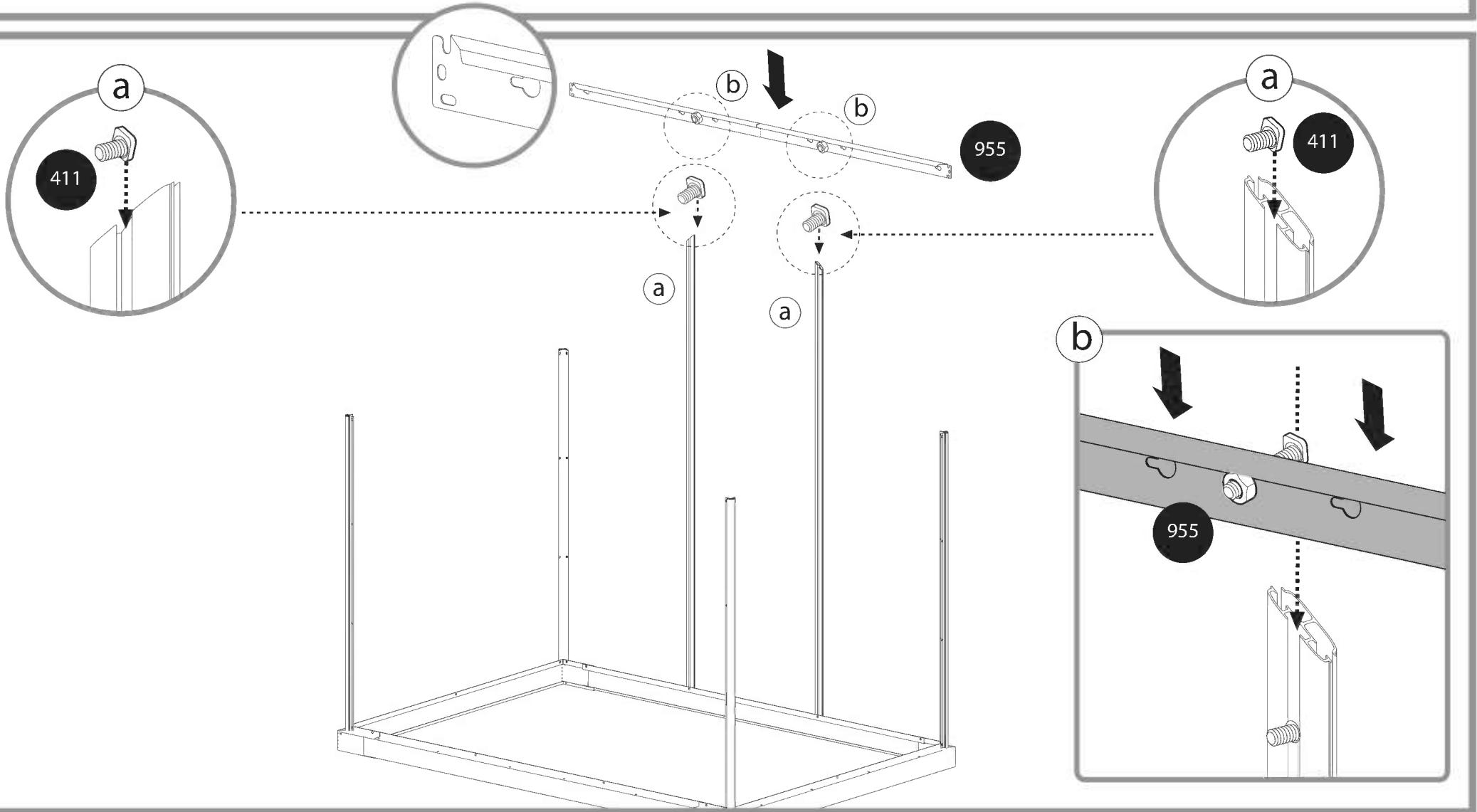
955

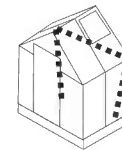


411

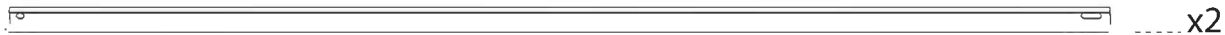


x2





256



412

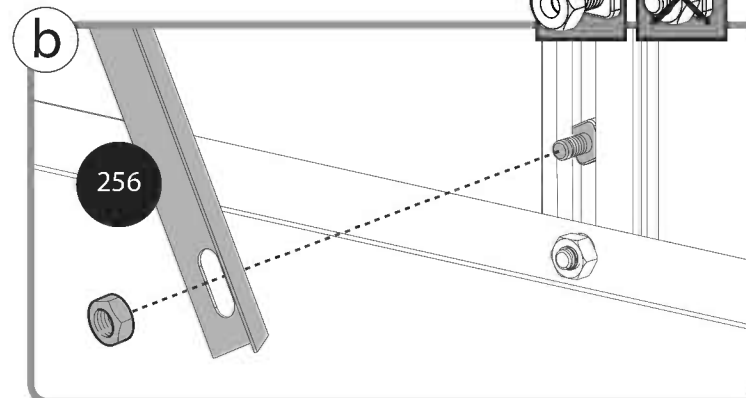
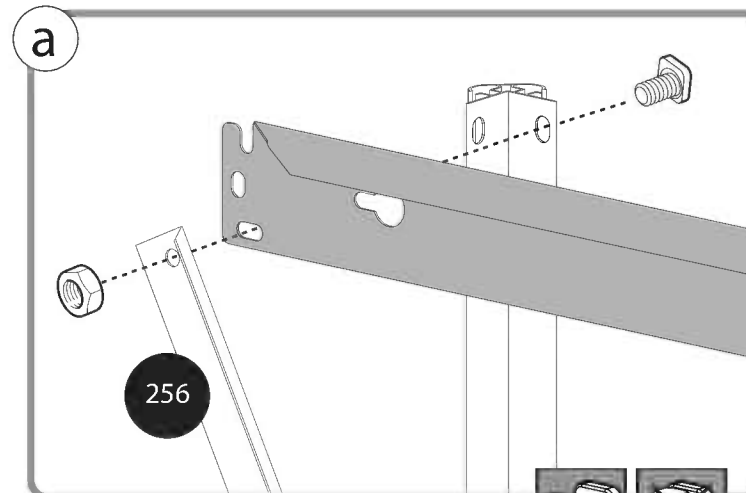
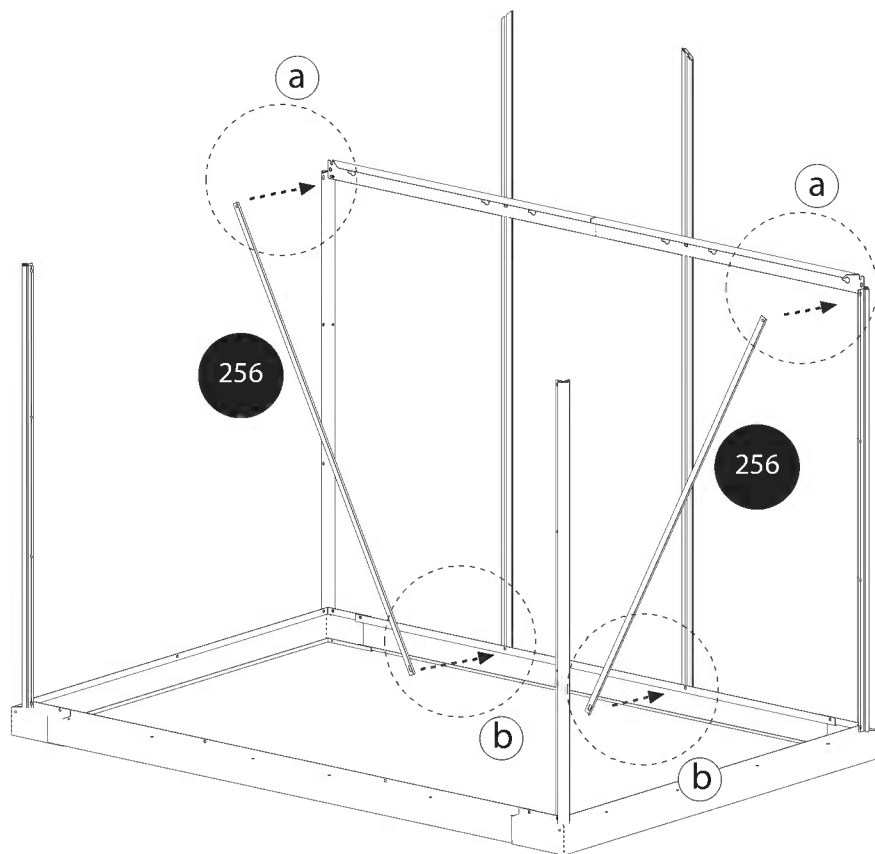


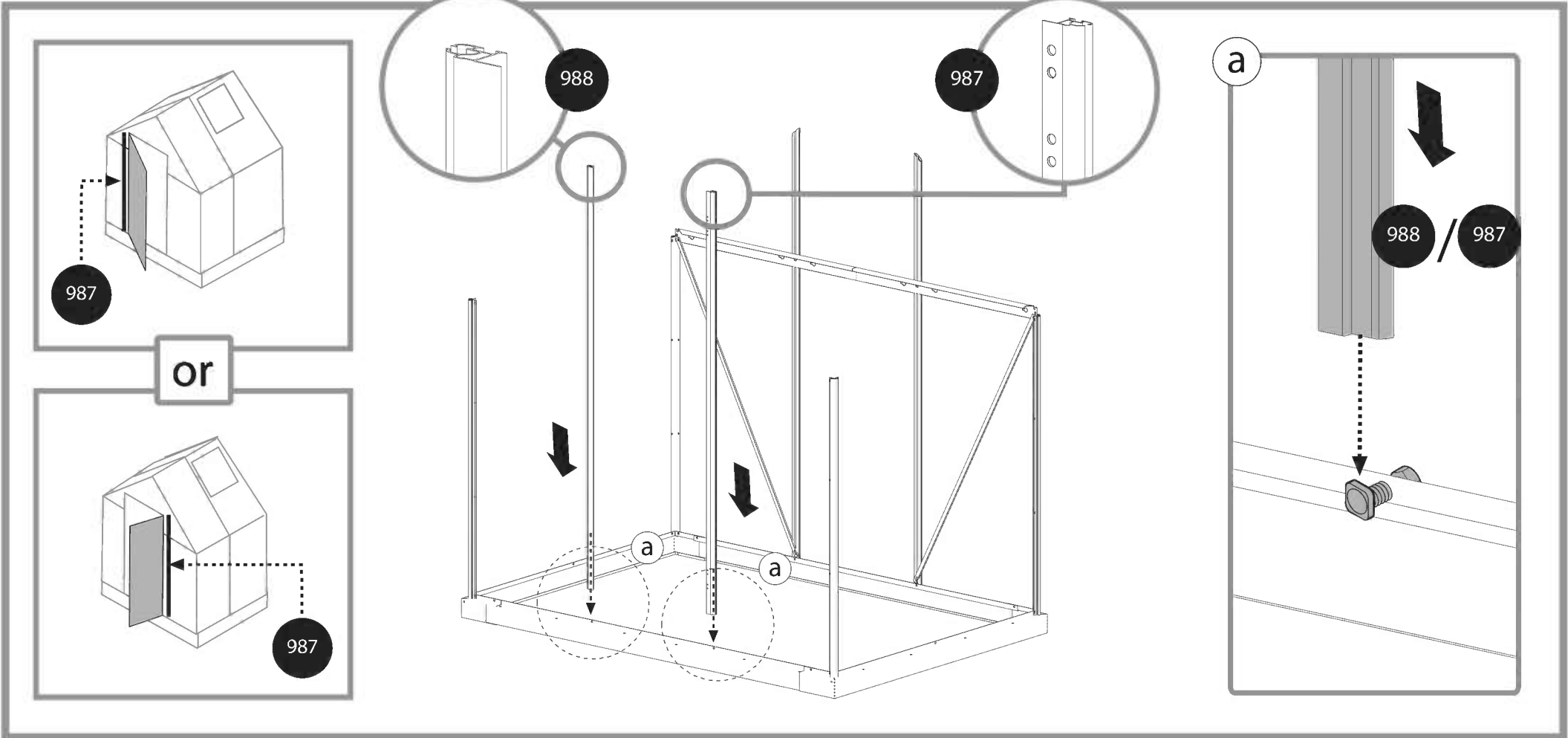
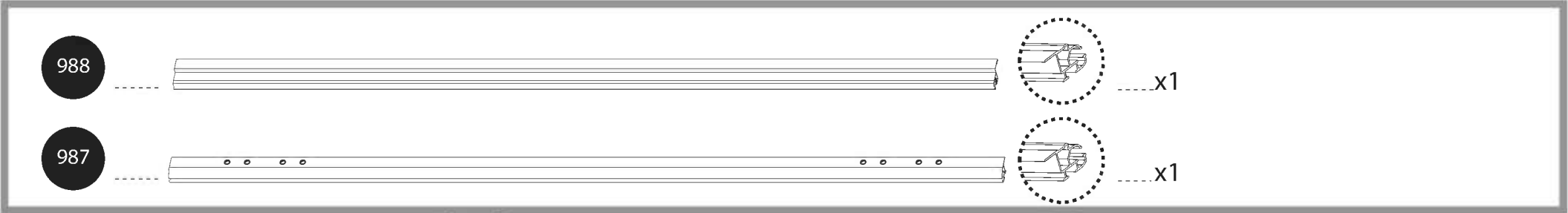
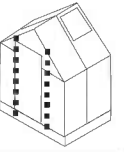
x4

411

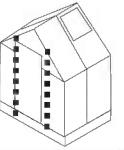


x2

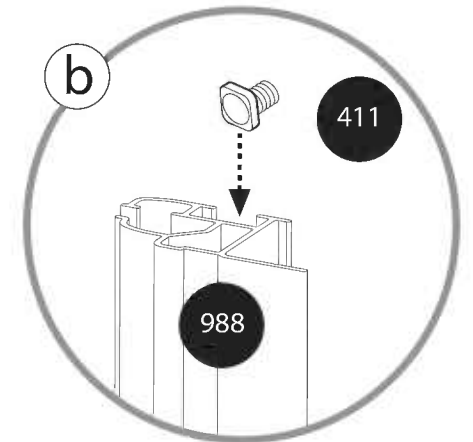
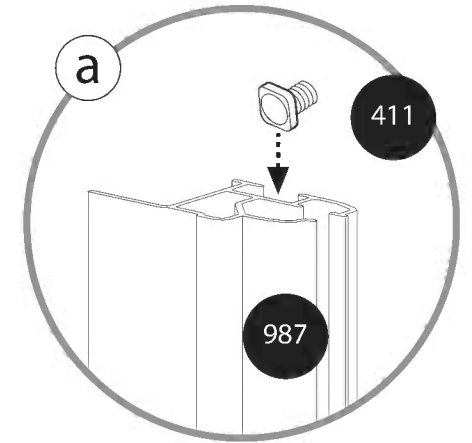
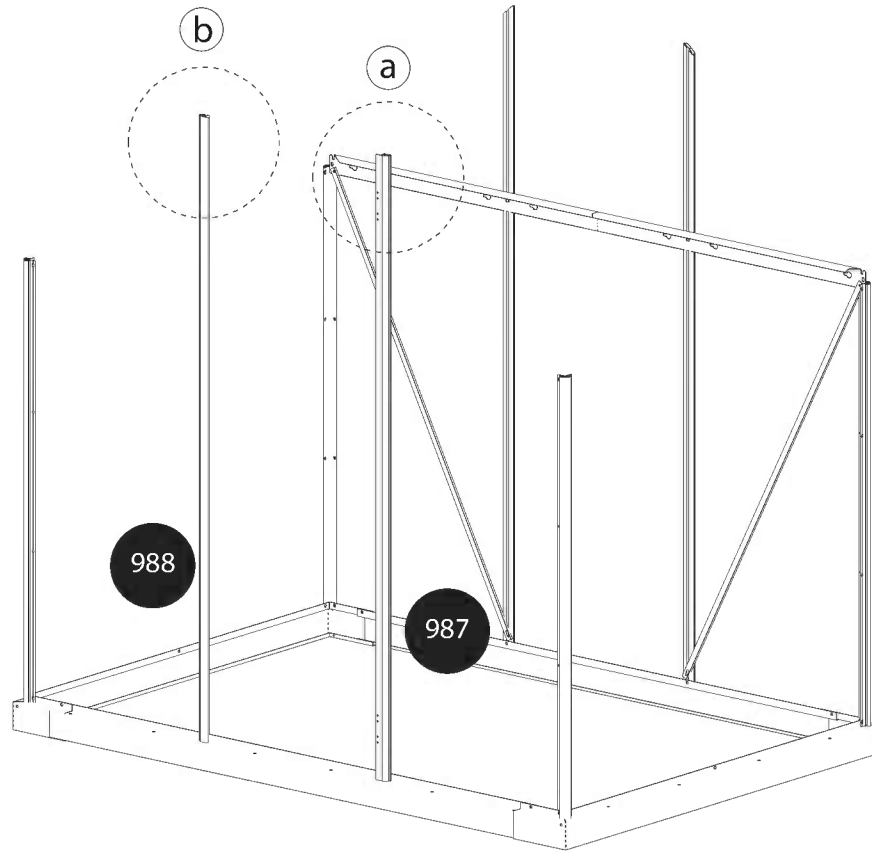


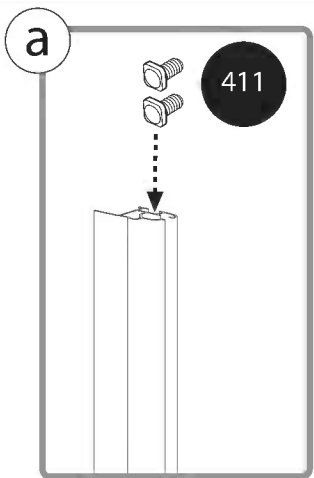
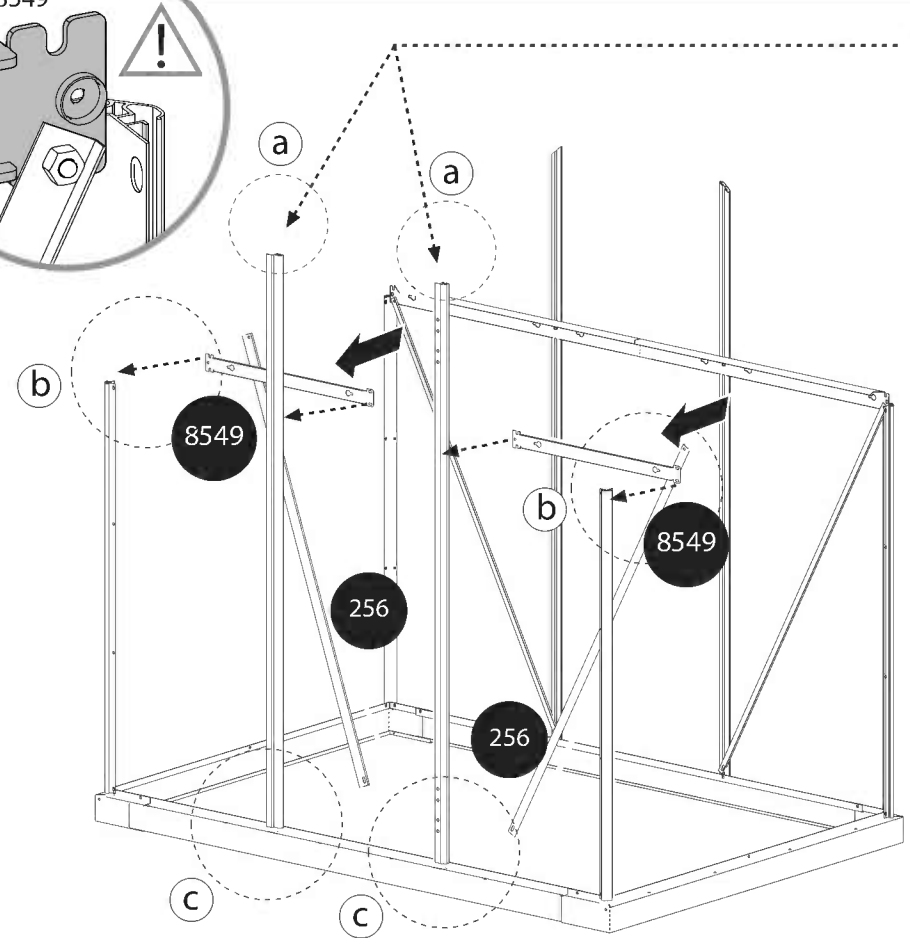
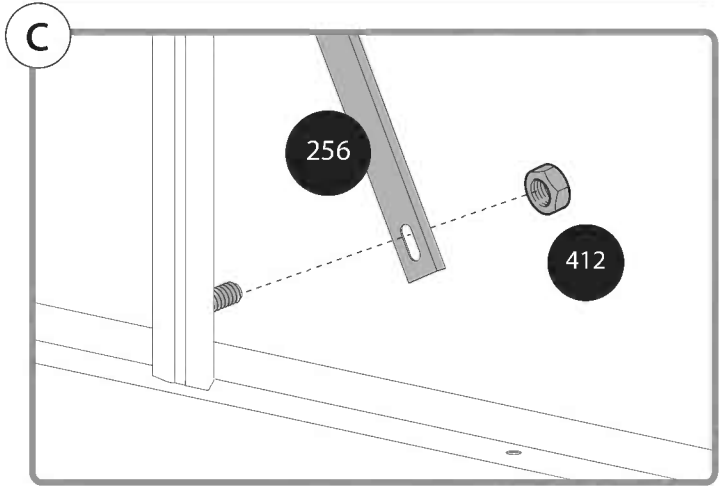
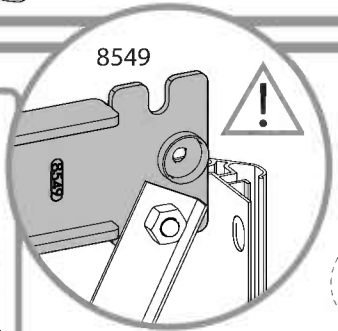
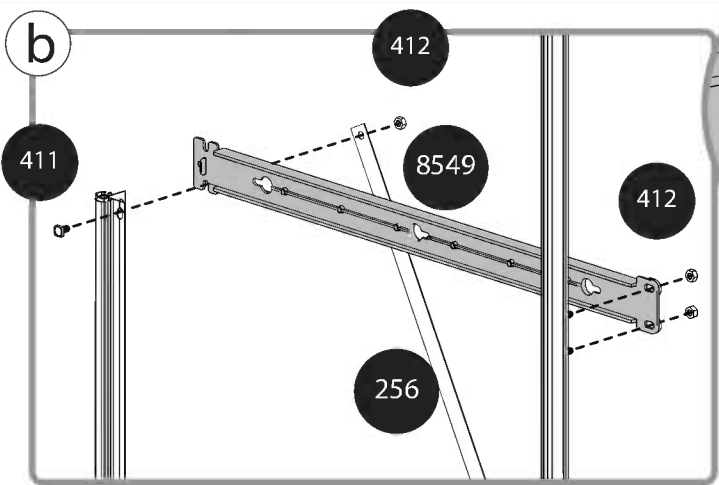
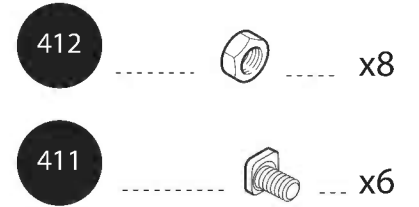
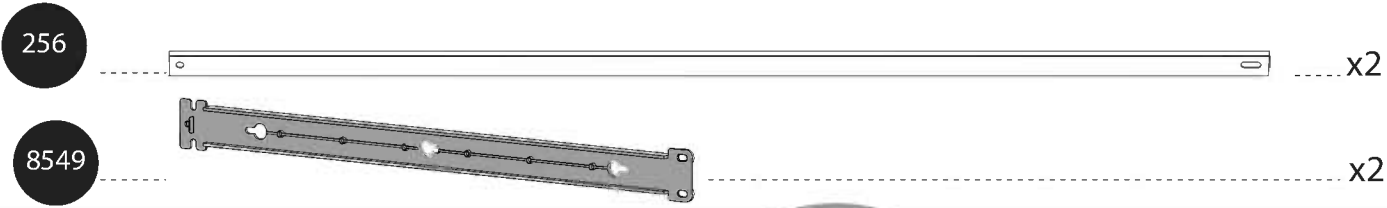
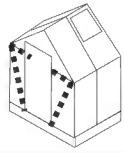


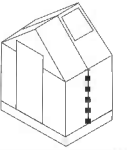




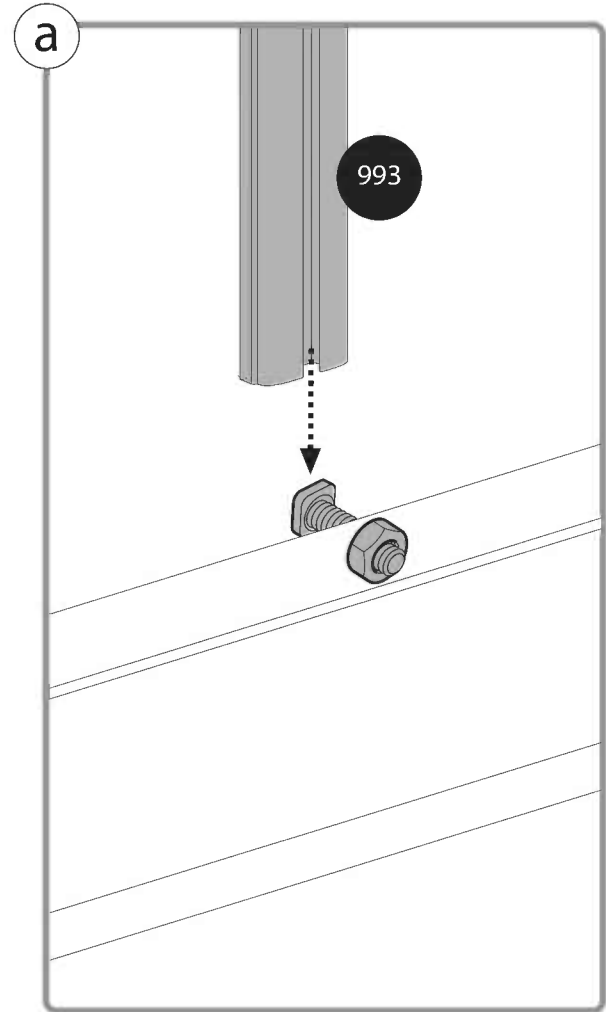
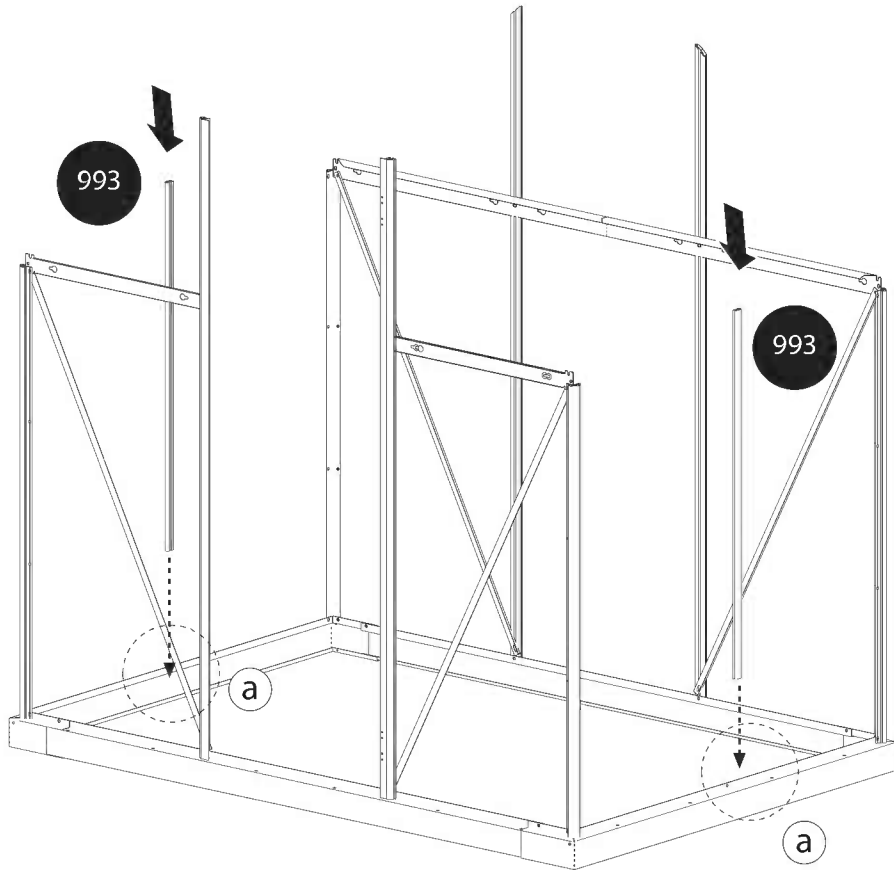
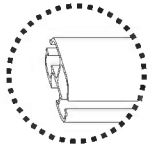
411  x2

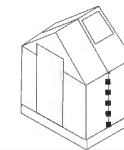






993





411

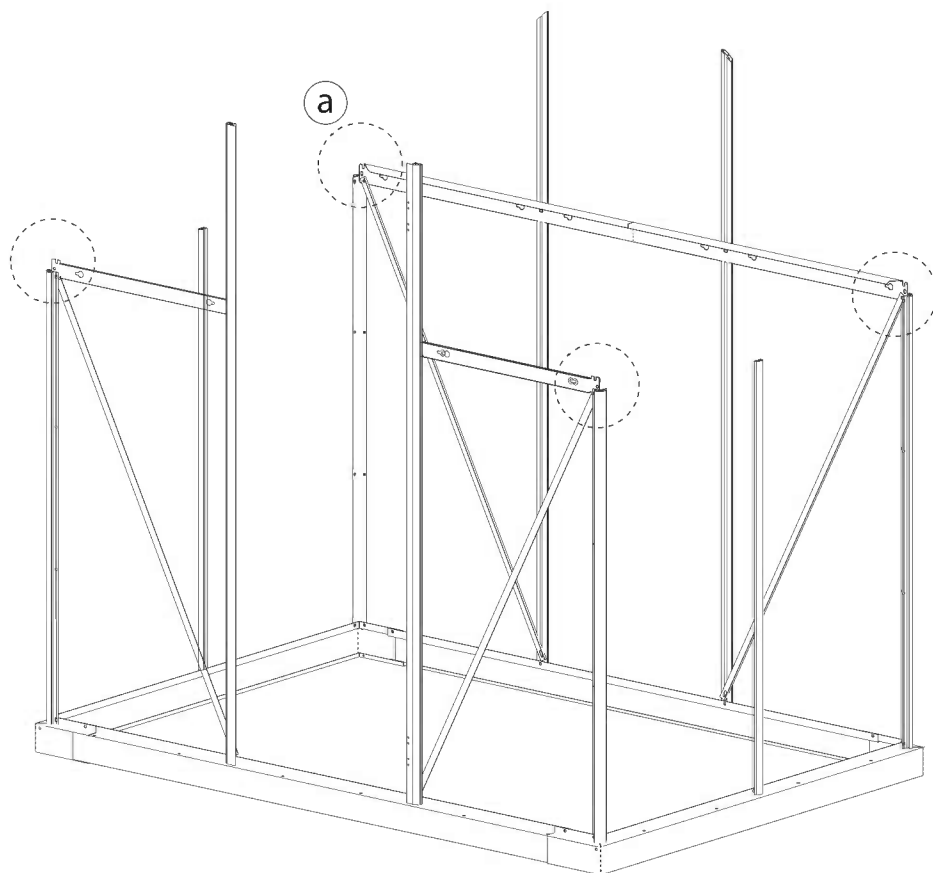


x4

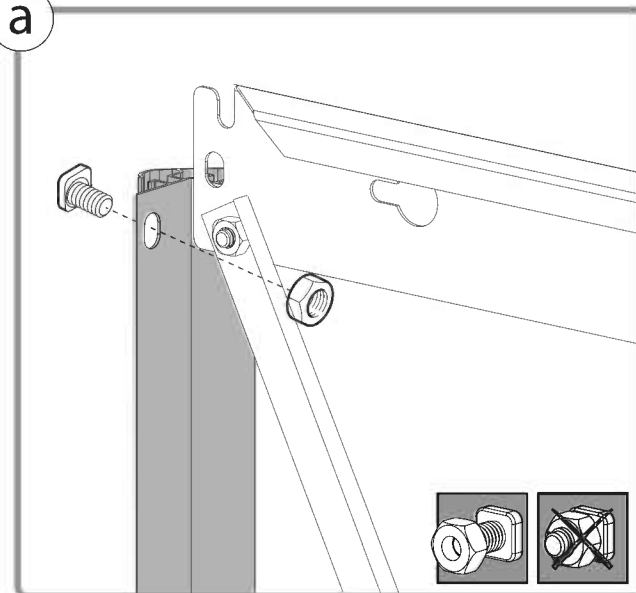
412

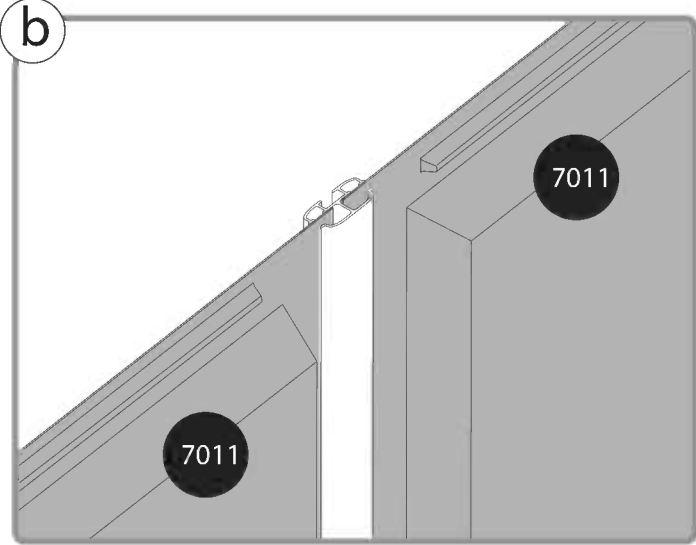
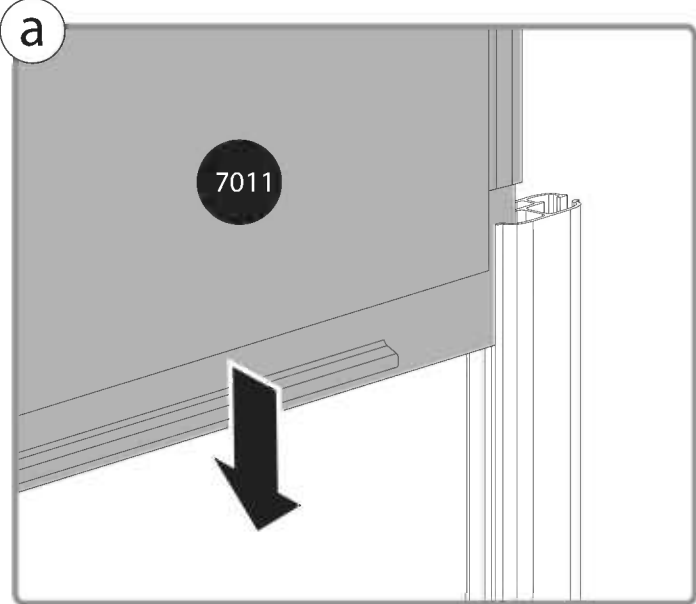
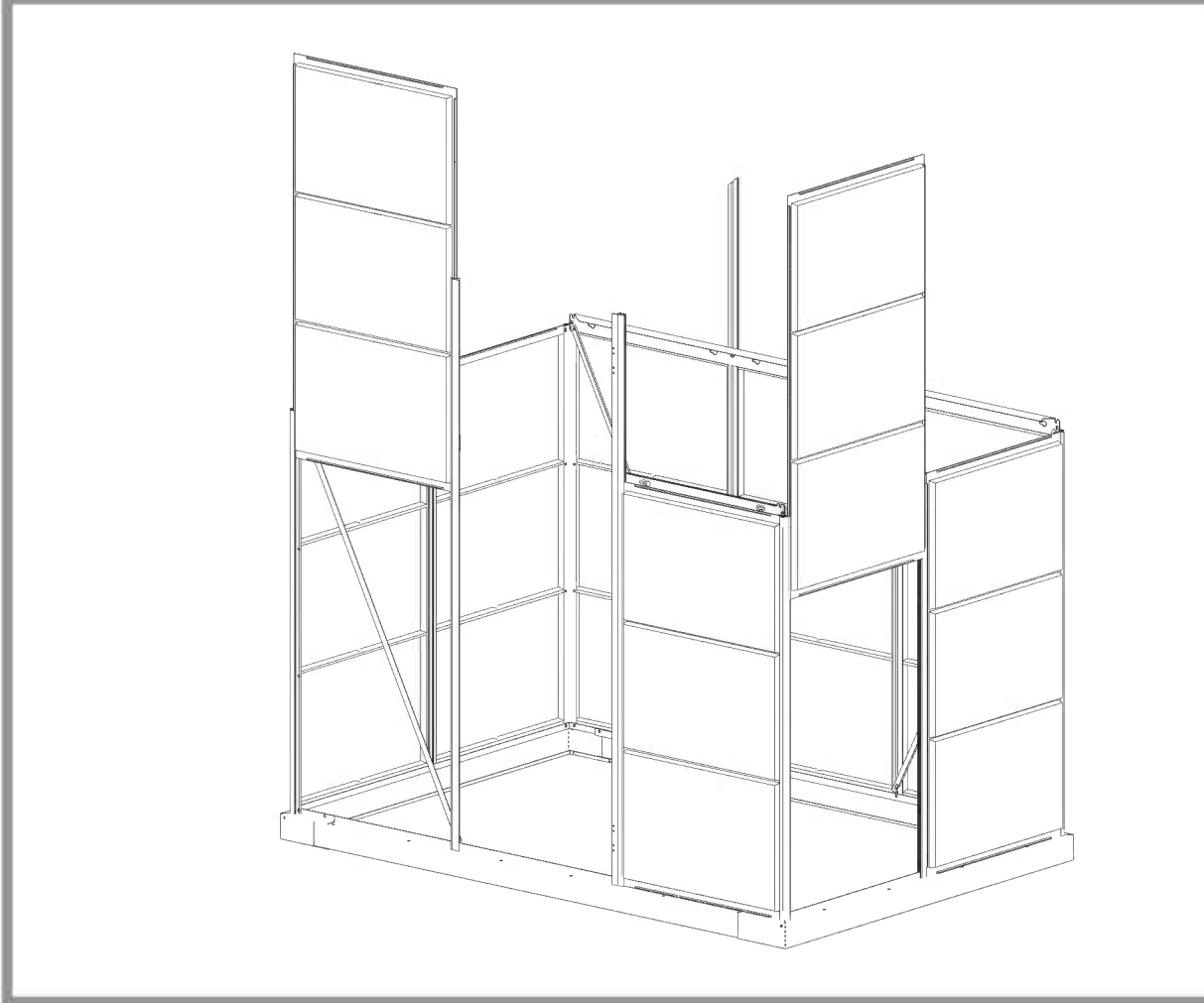
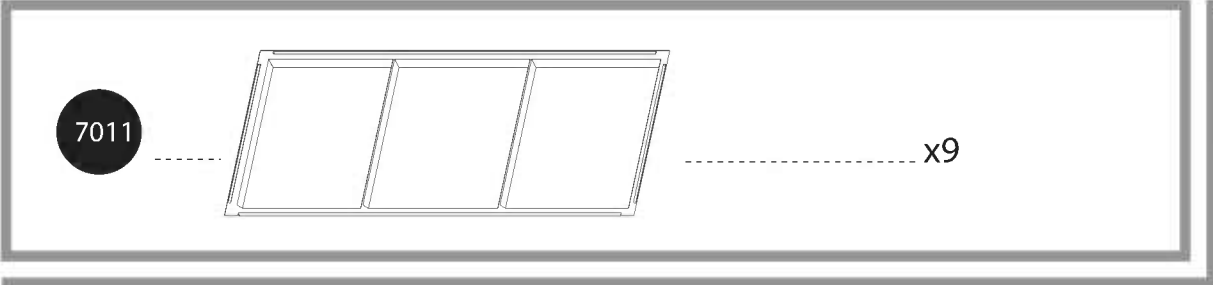
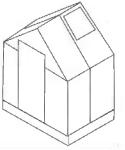


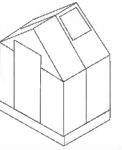
x4



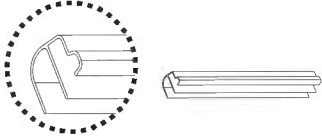
a



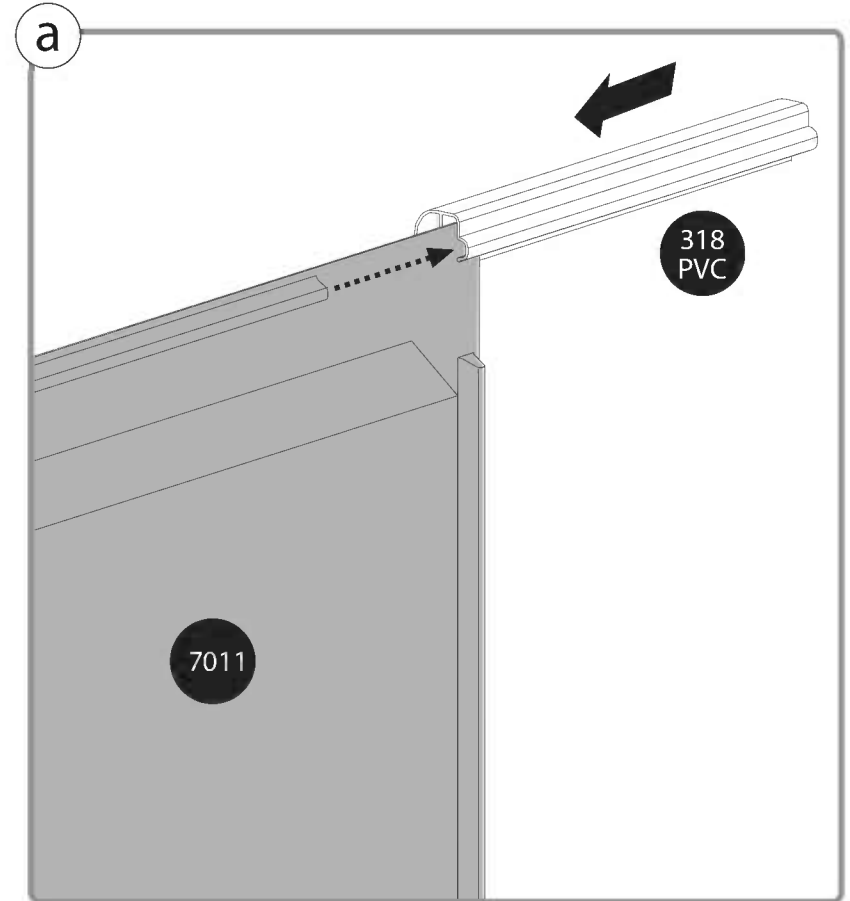
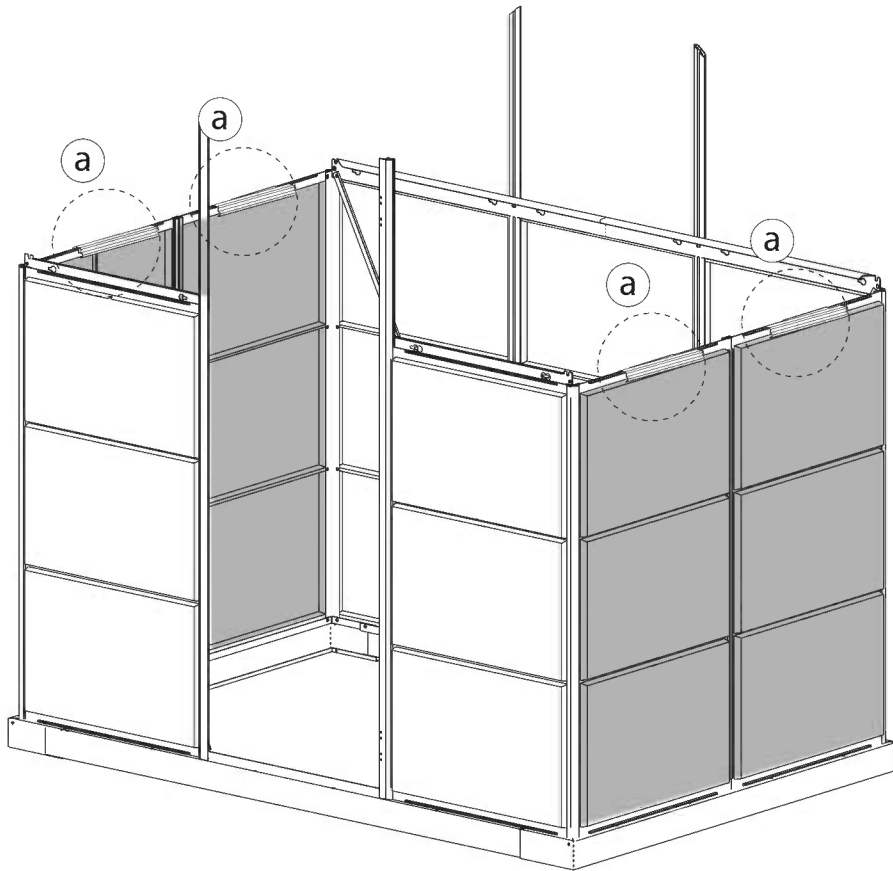


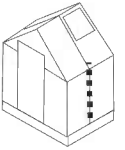




318  
PVC

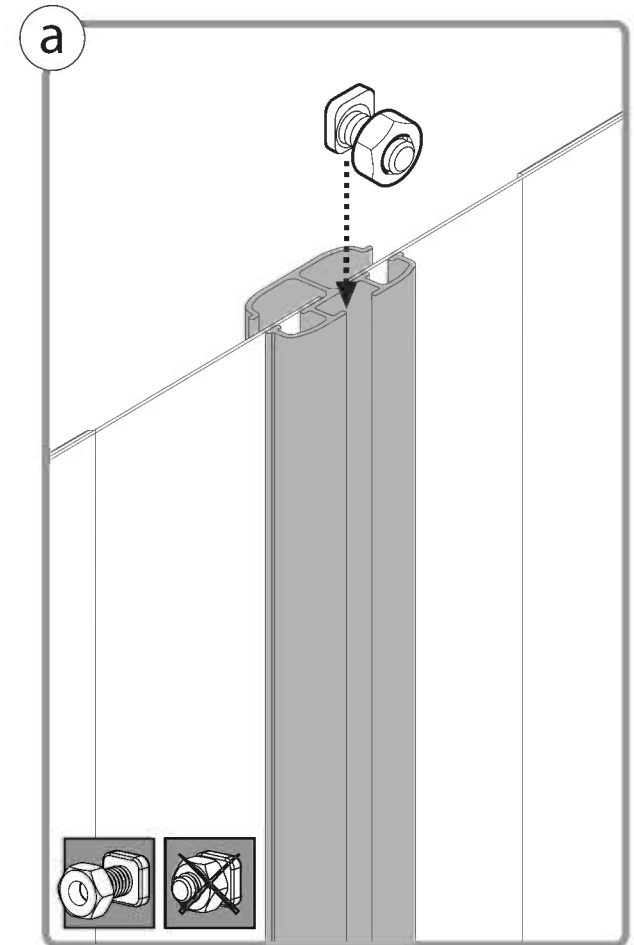
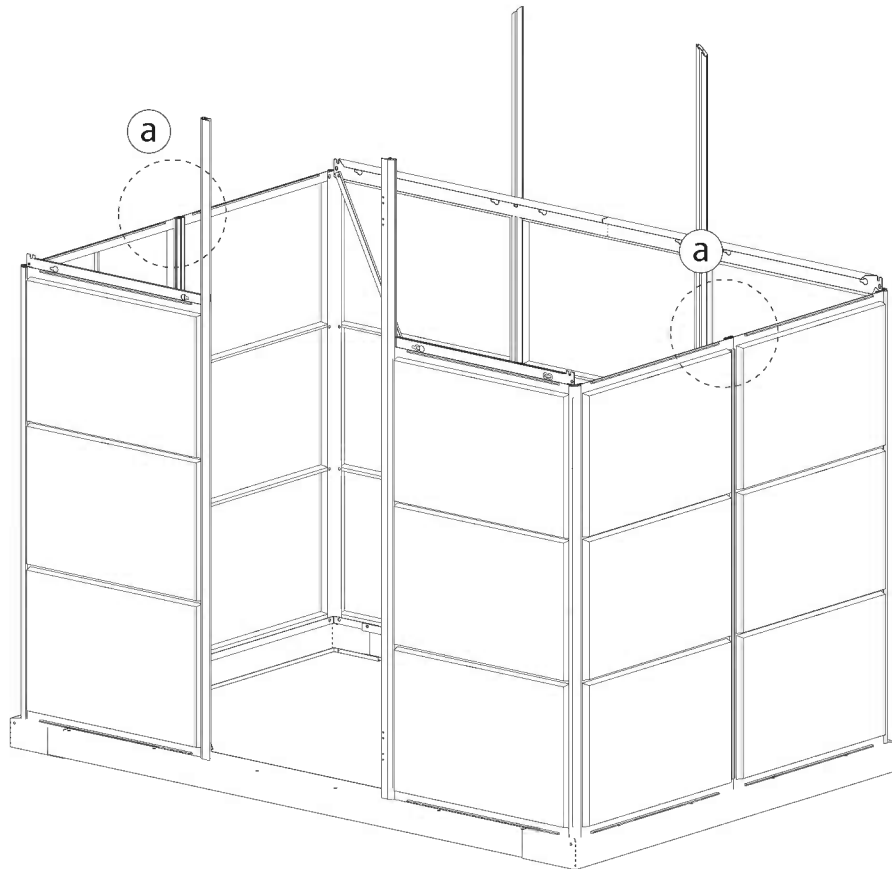


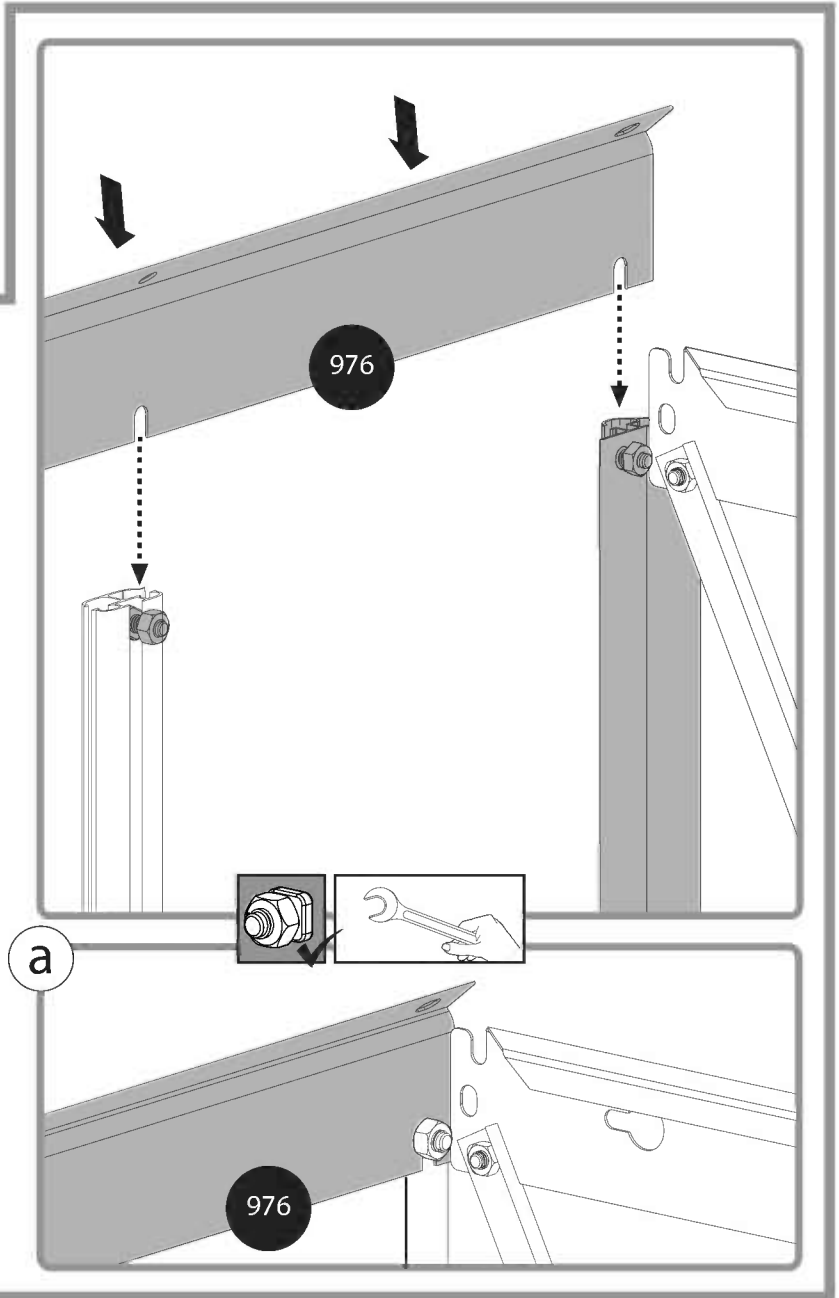
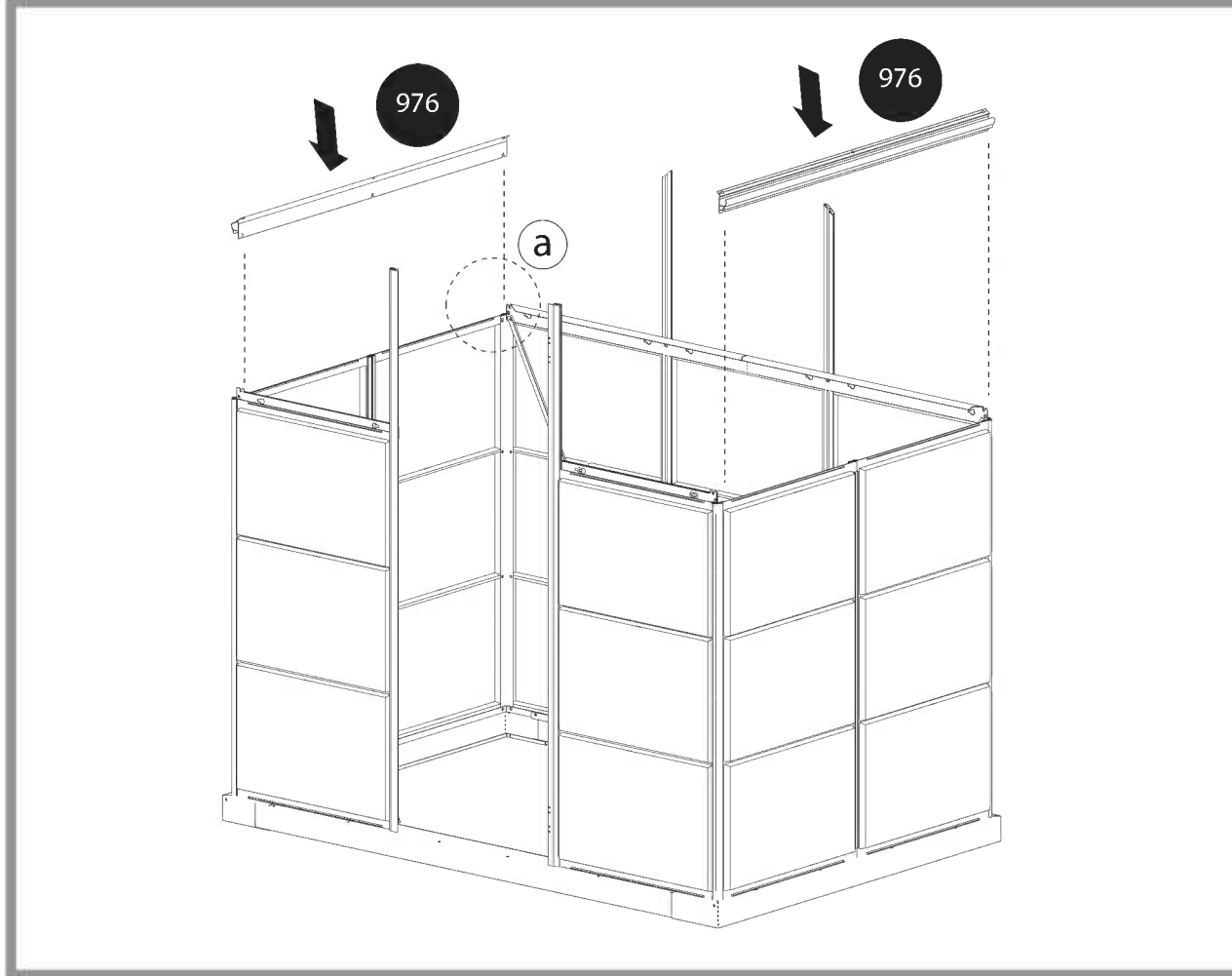
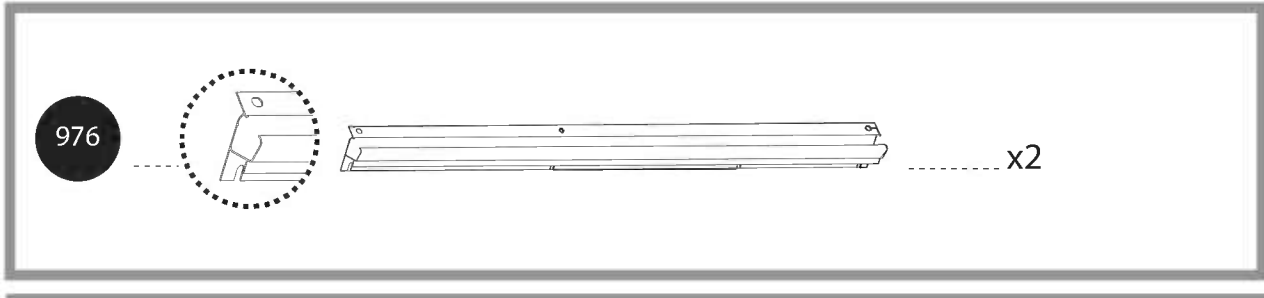
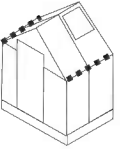
x4



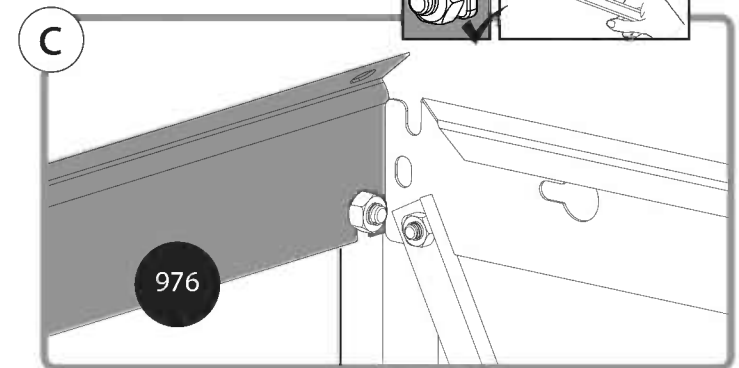
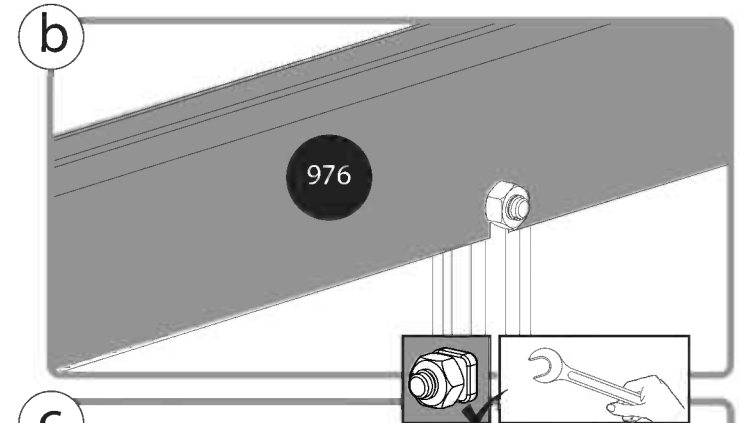
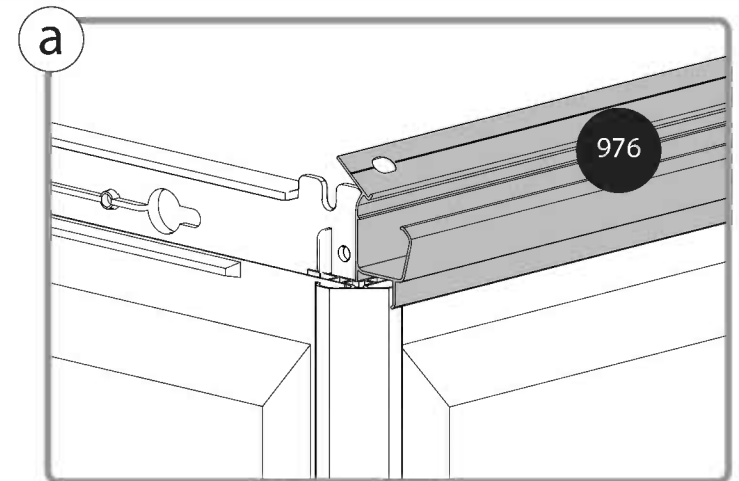
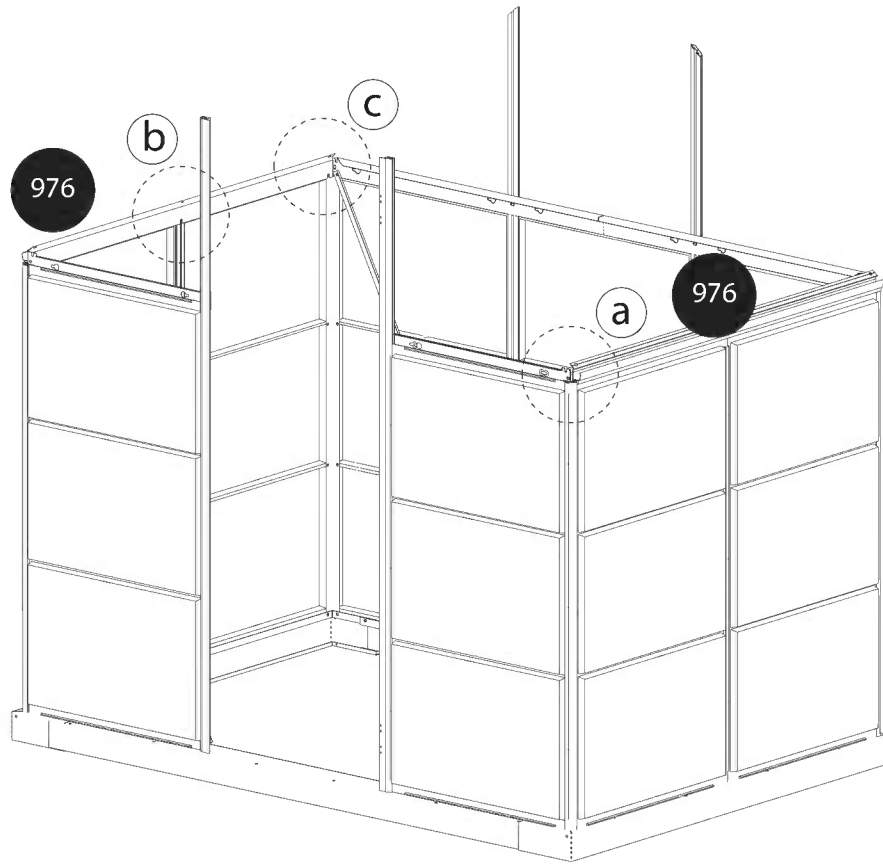
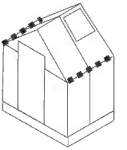


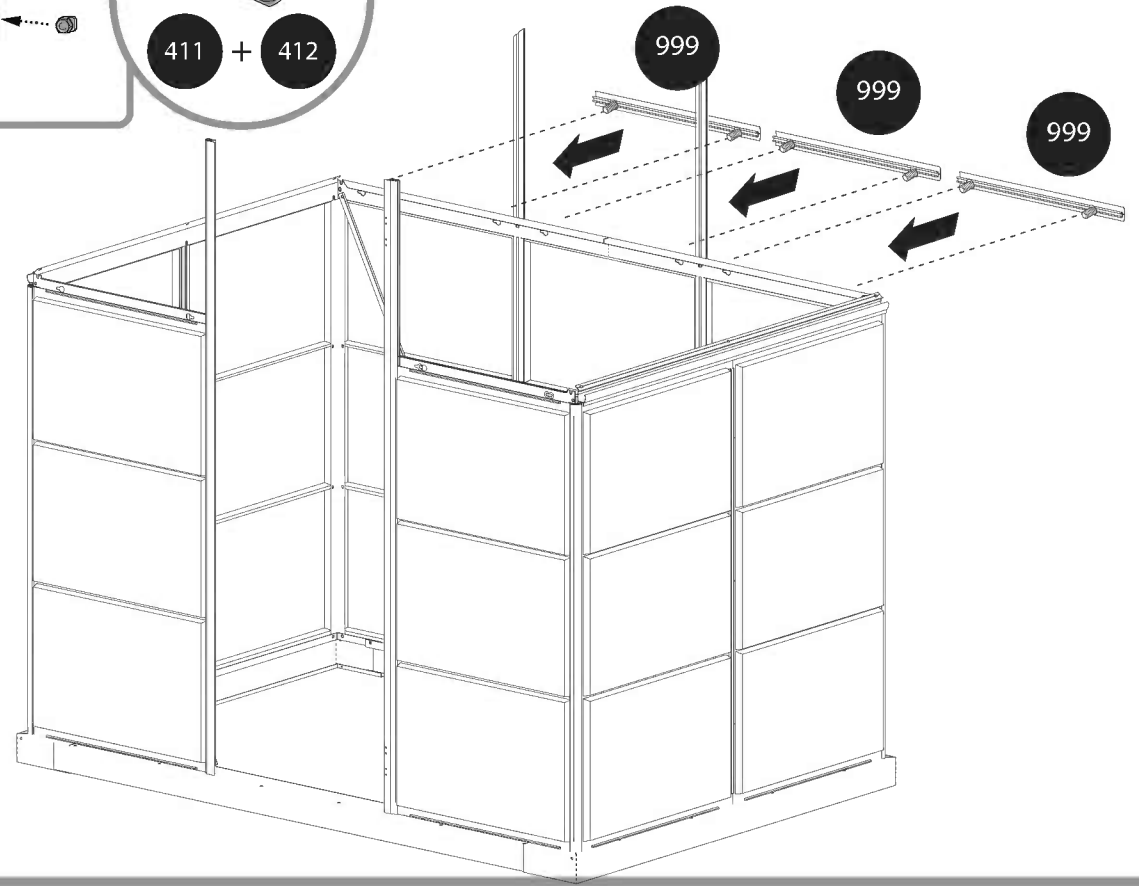
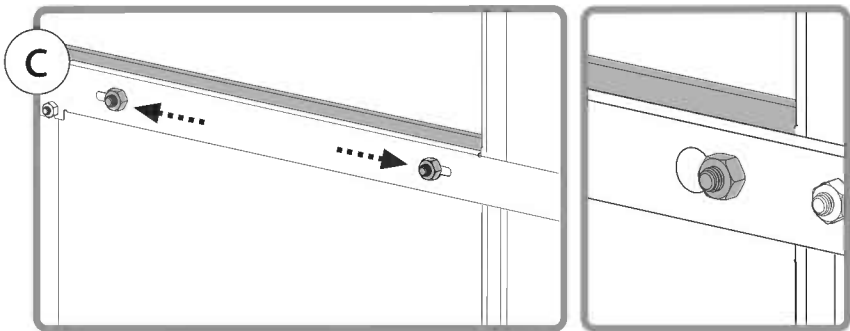
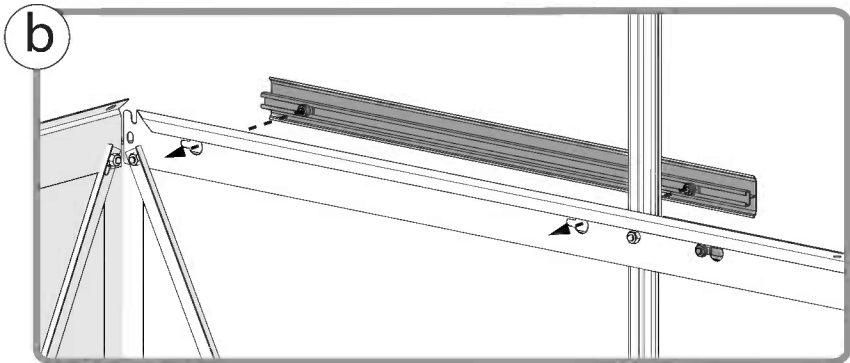
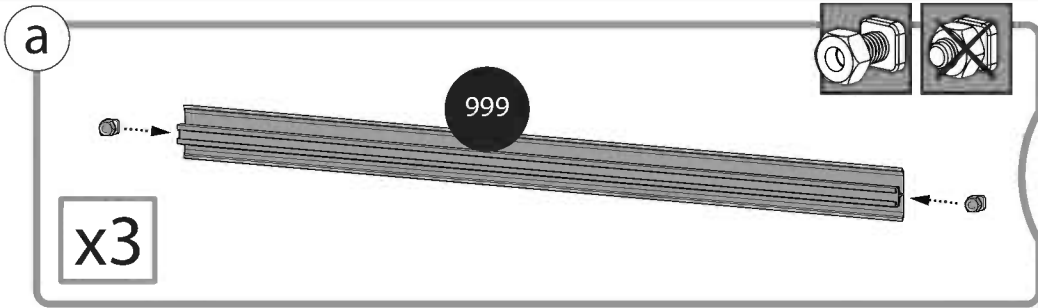
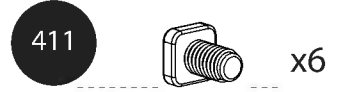
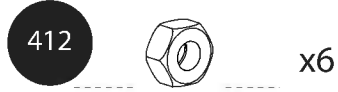
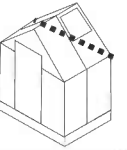
- 412 .....  ..... x2
- 411 .....  ..... x2

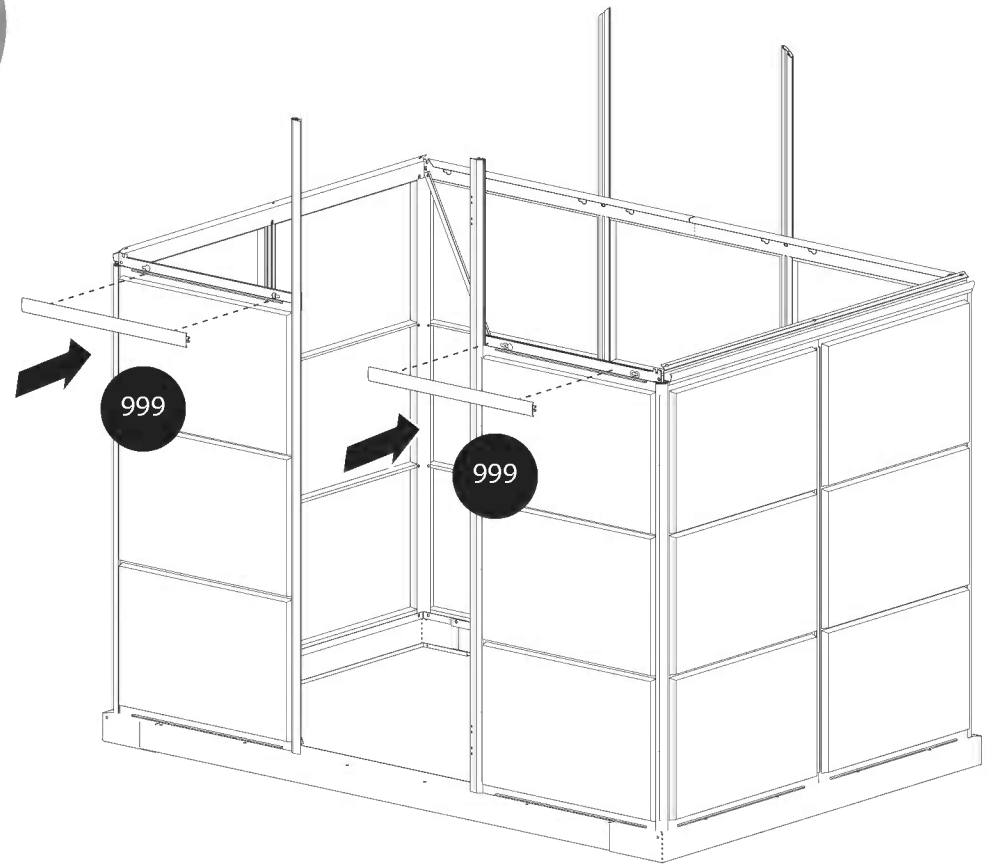
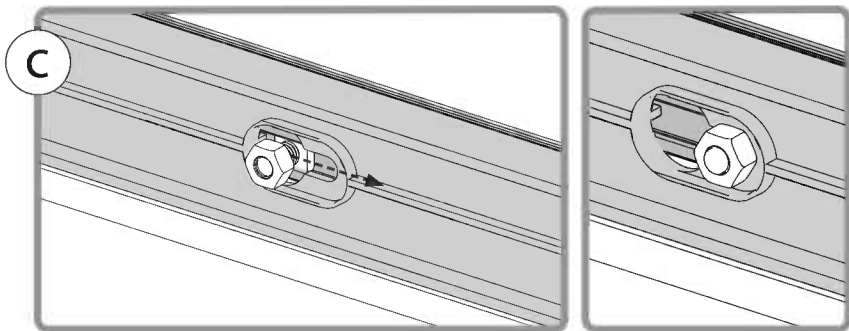
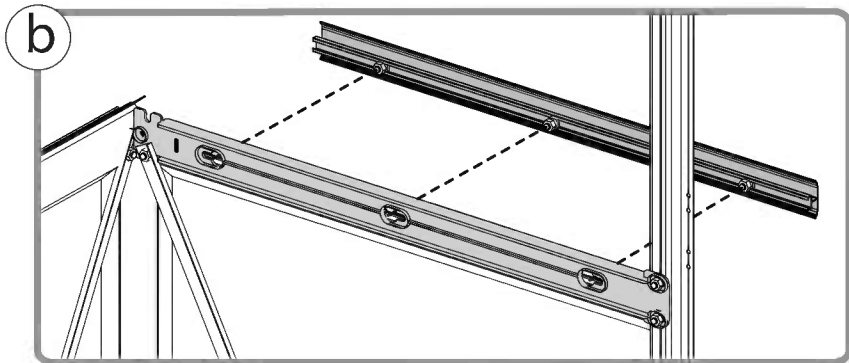
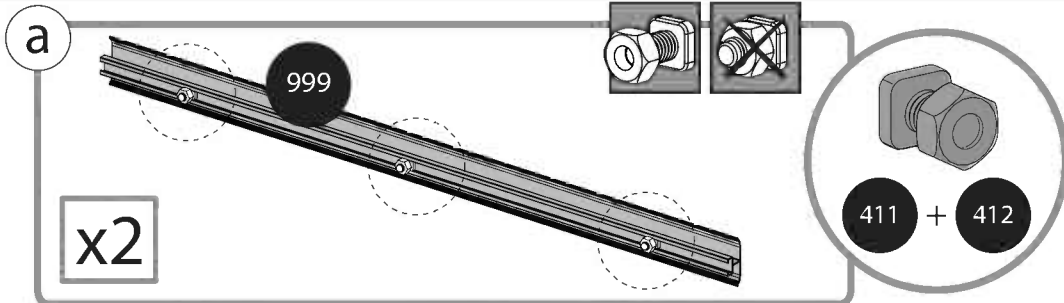
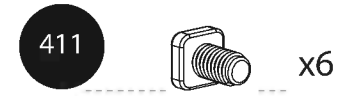
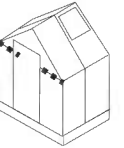


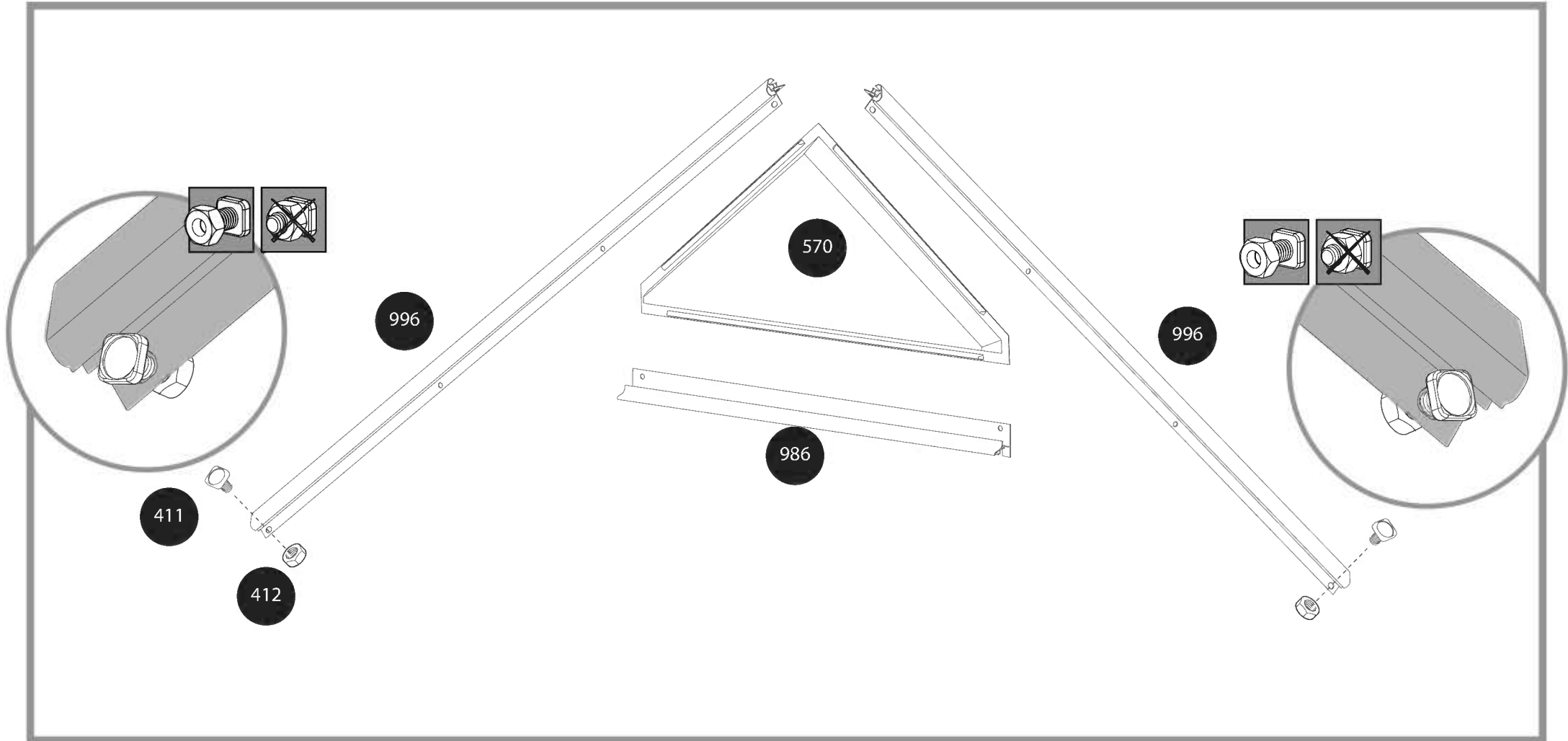
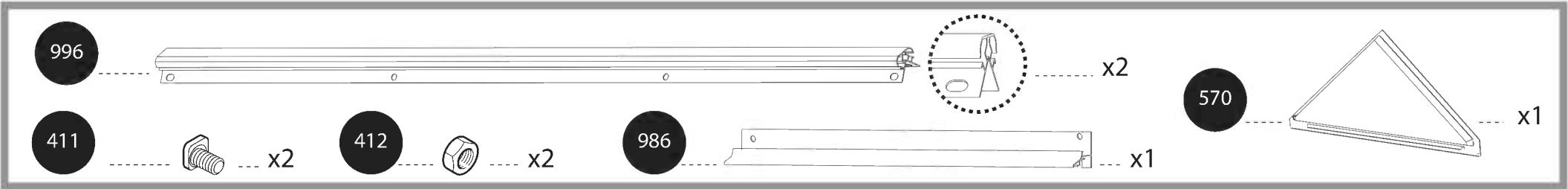
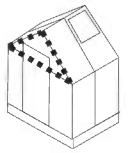


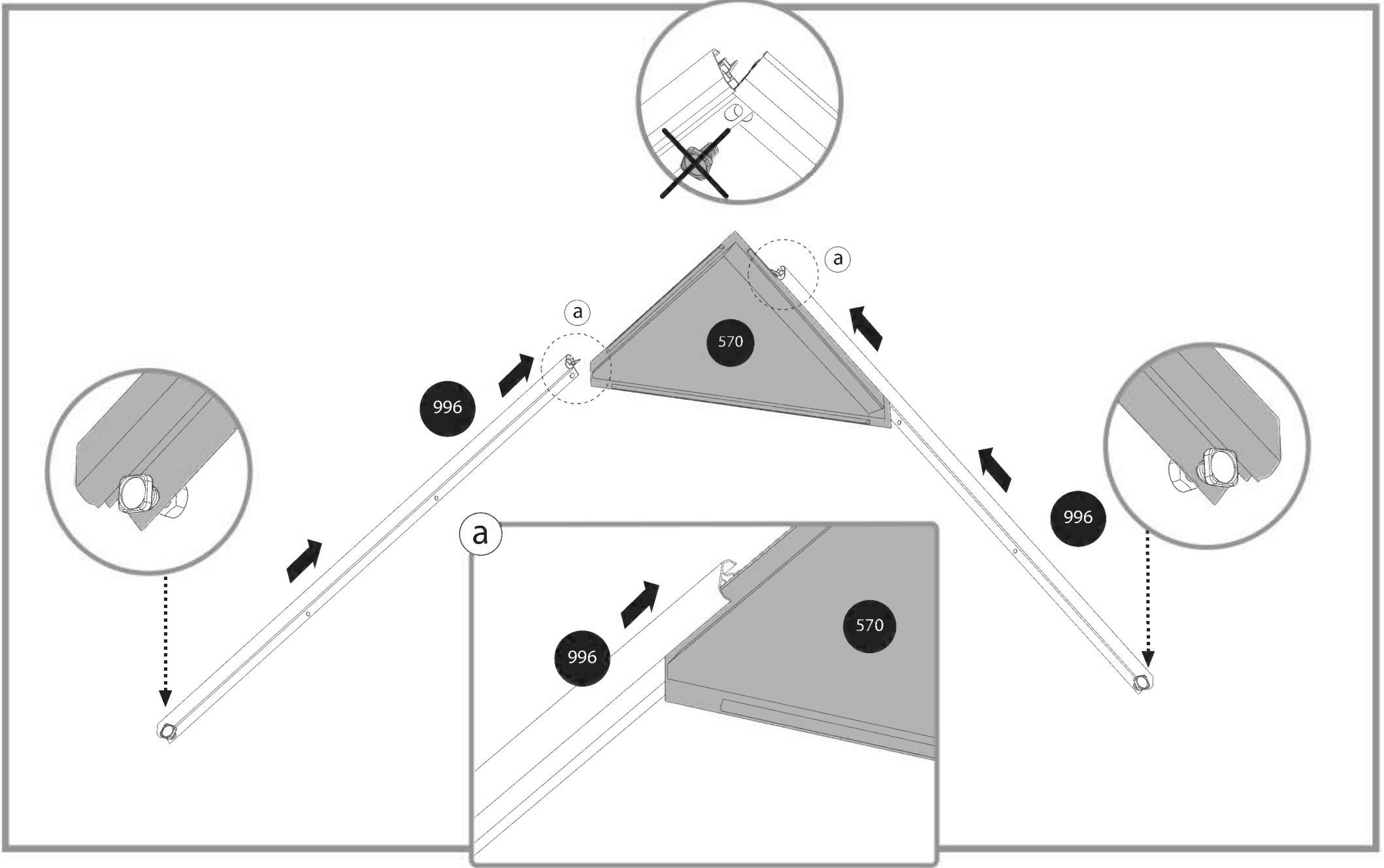
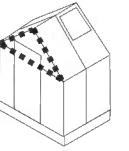


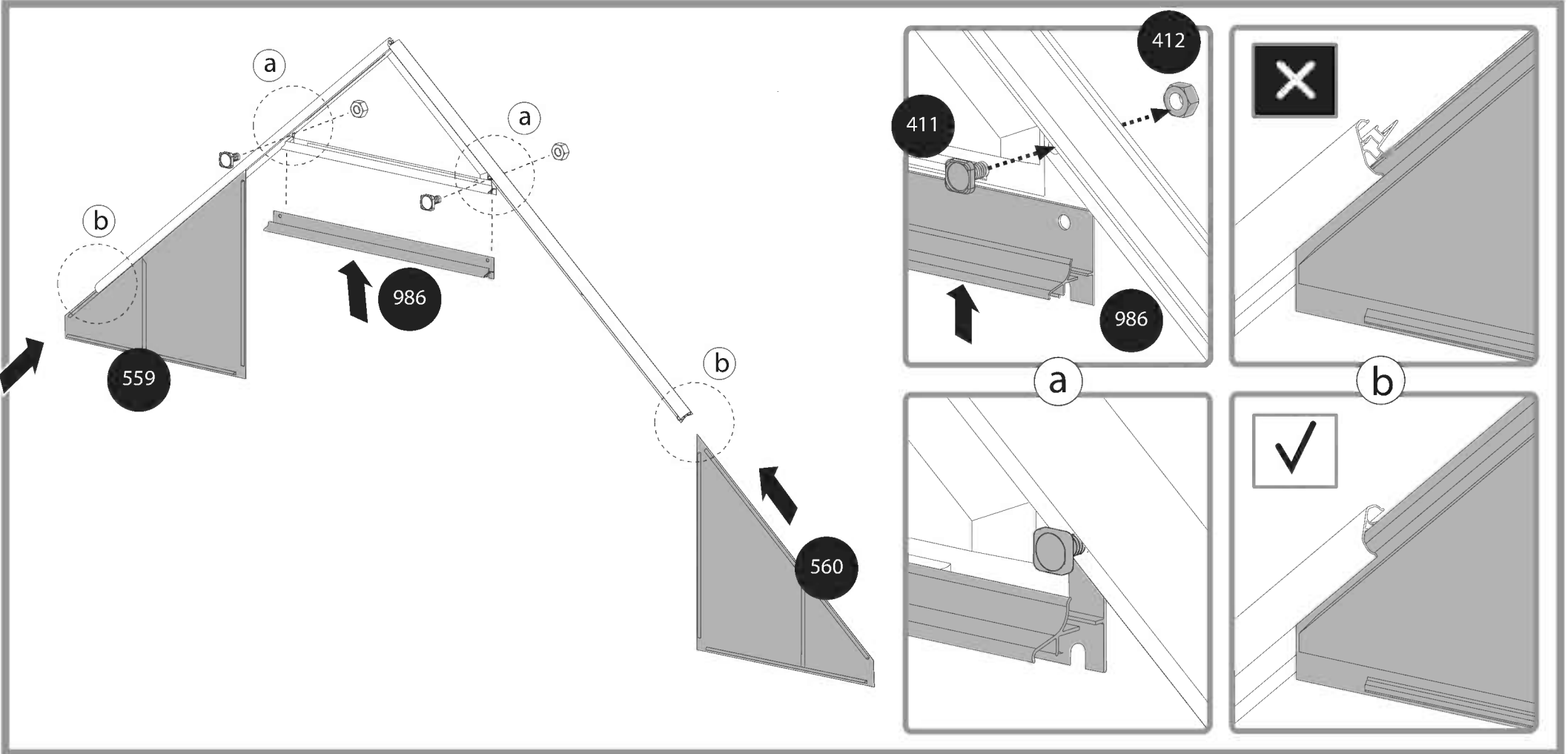
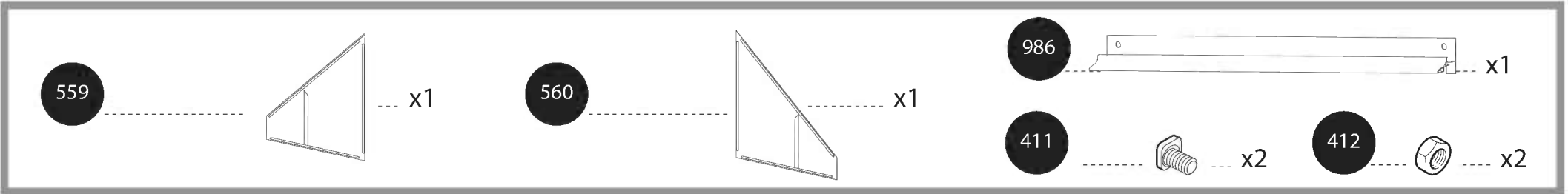
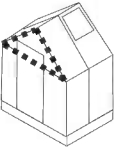


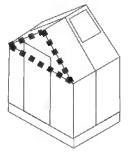






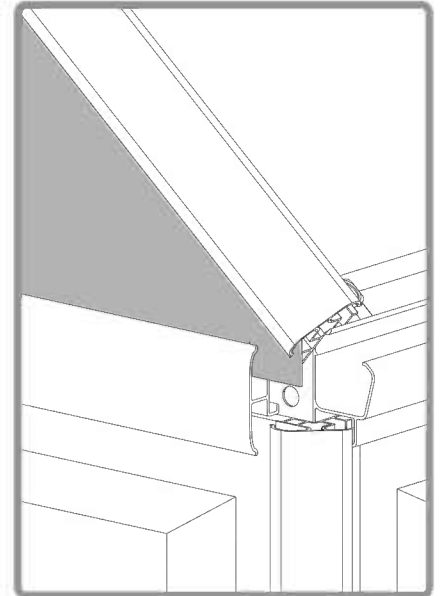
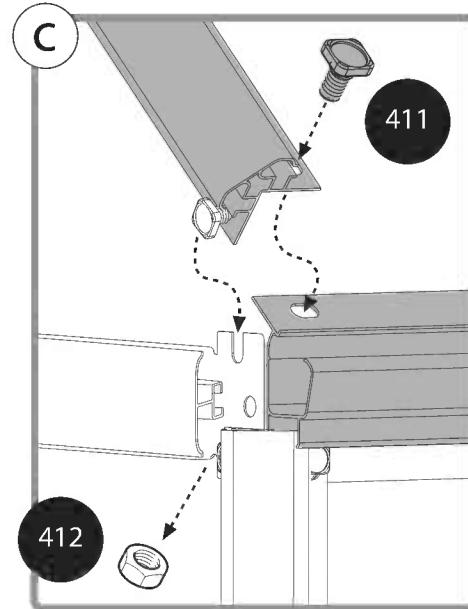
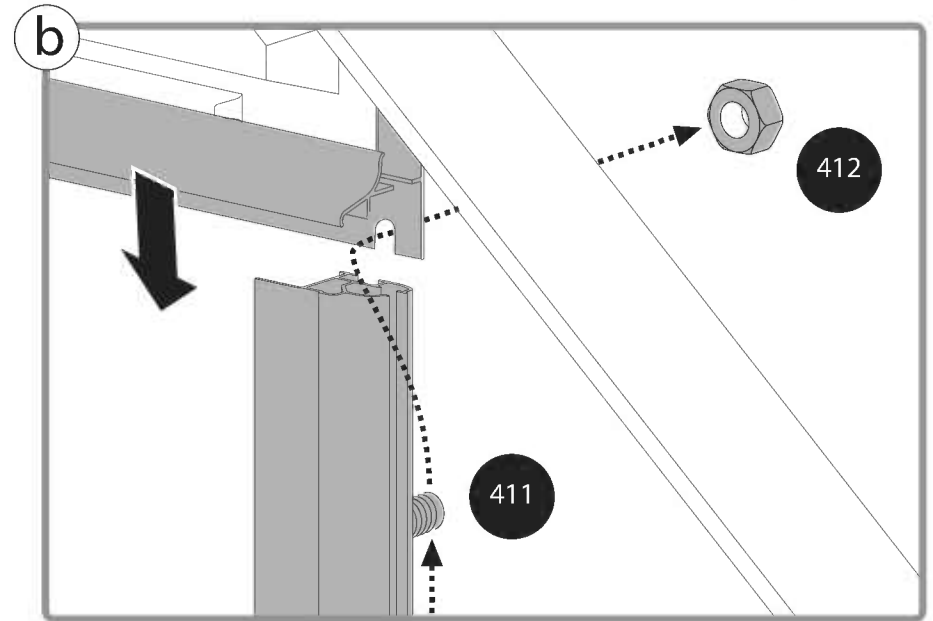
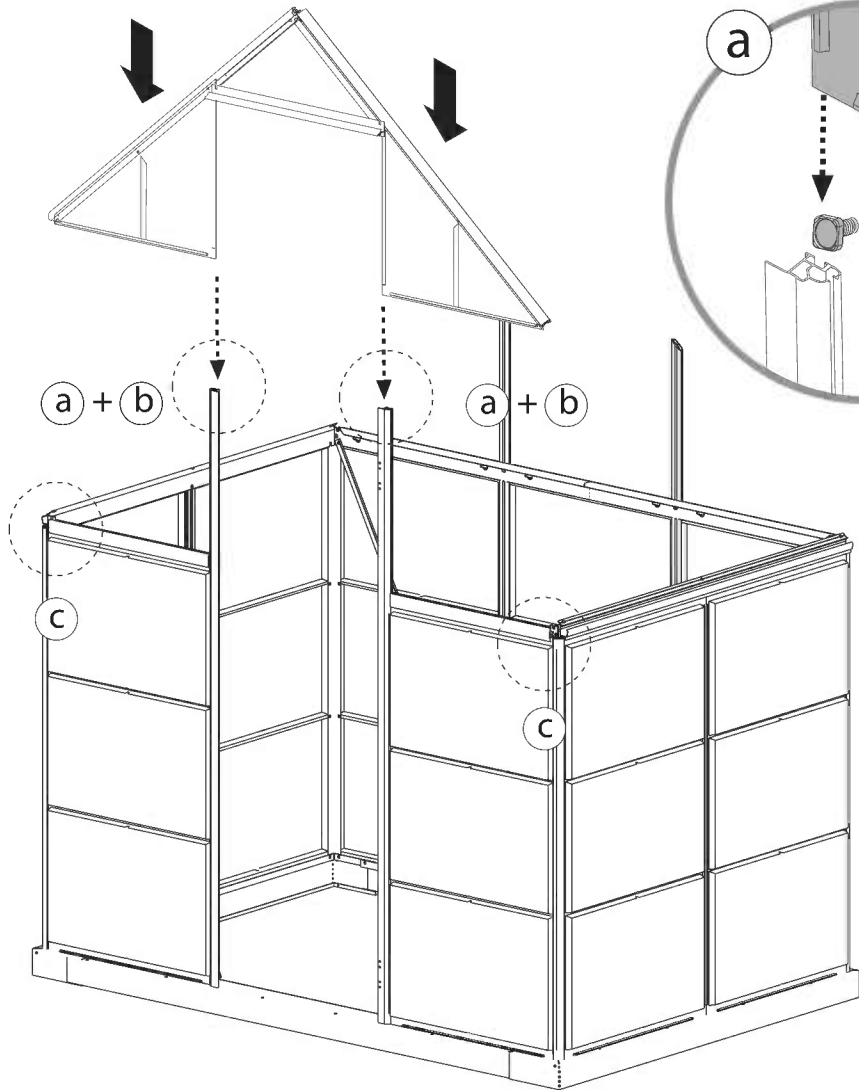


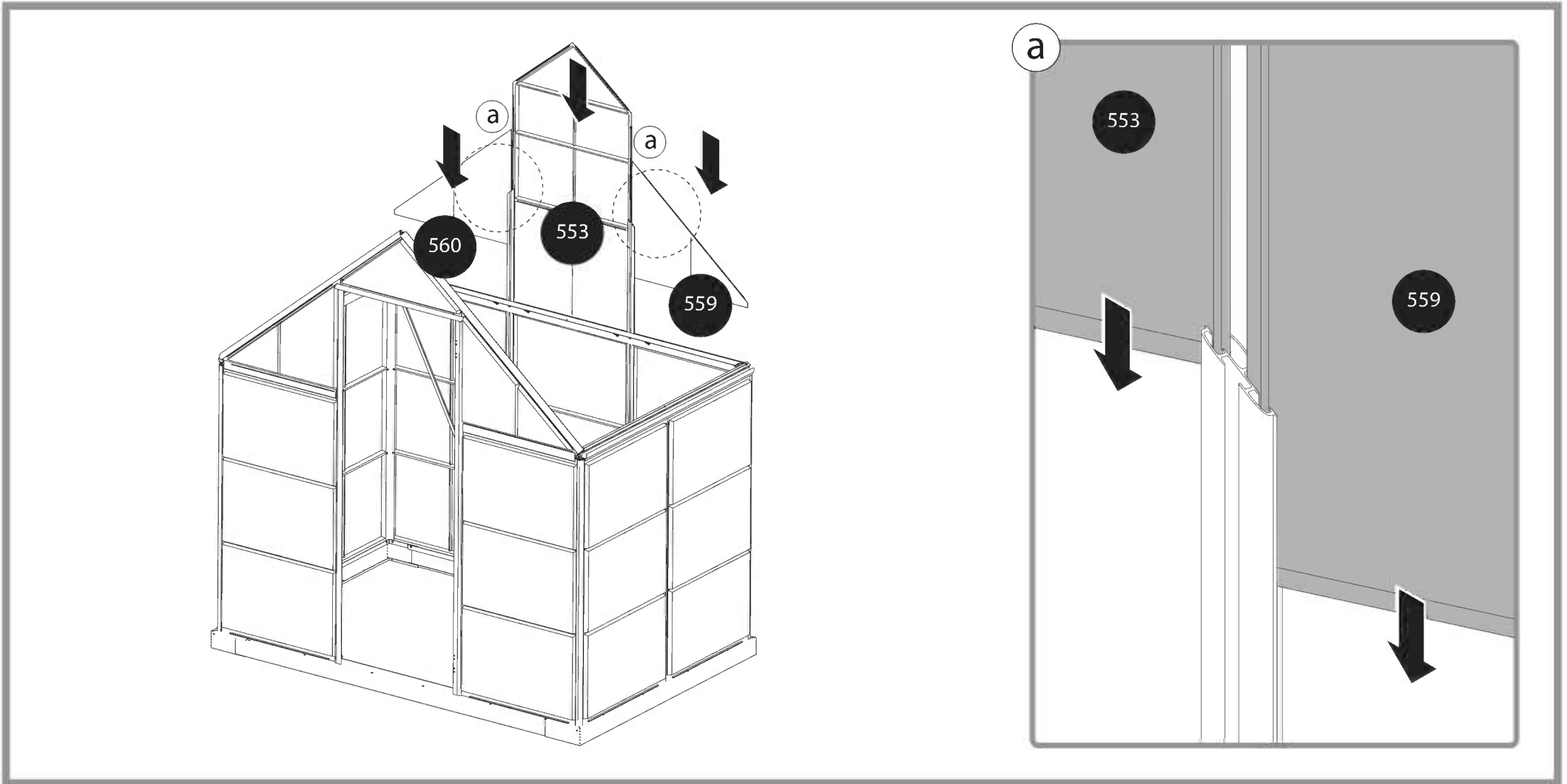
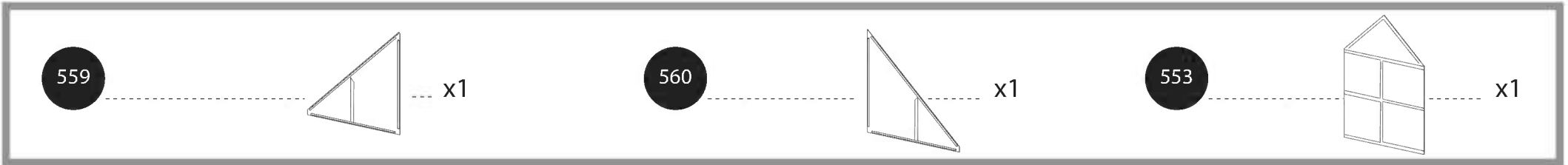
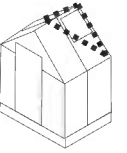




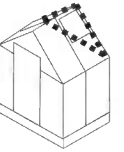
411 ..... x4

412 ..... x4

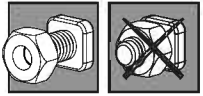




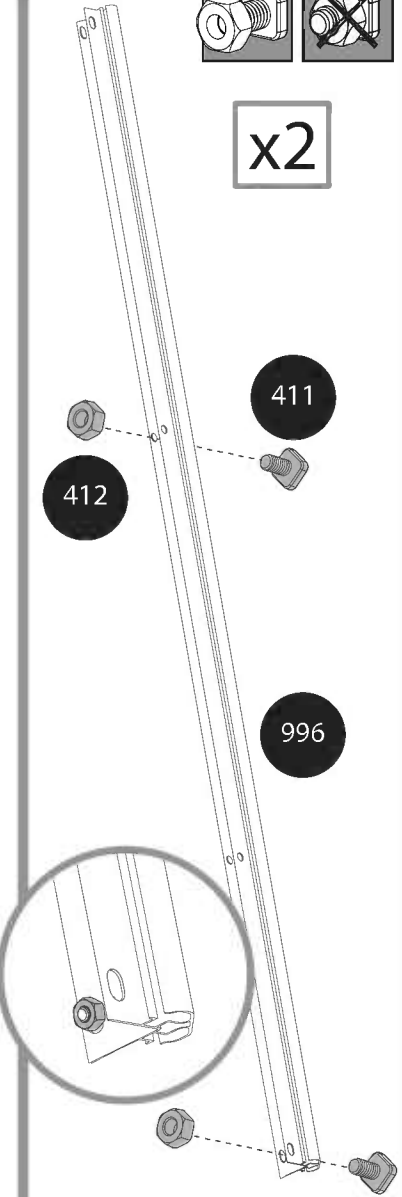




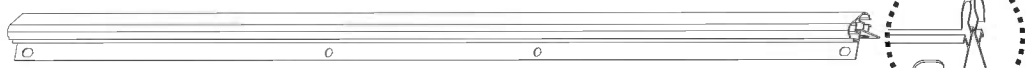
a



x2



996



x2

412

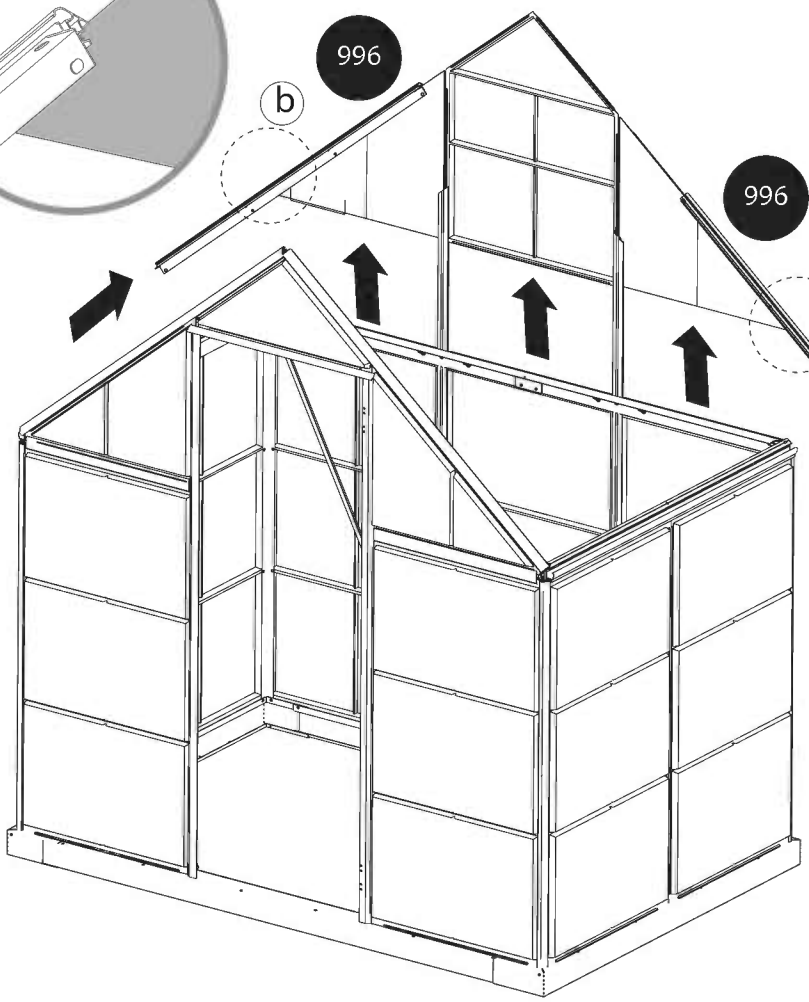
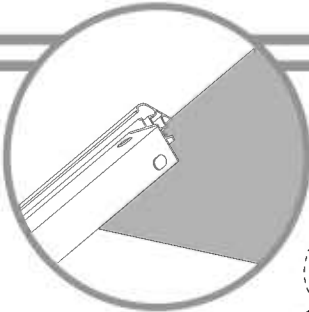


x4

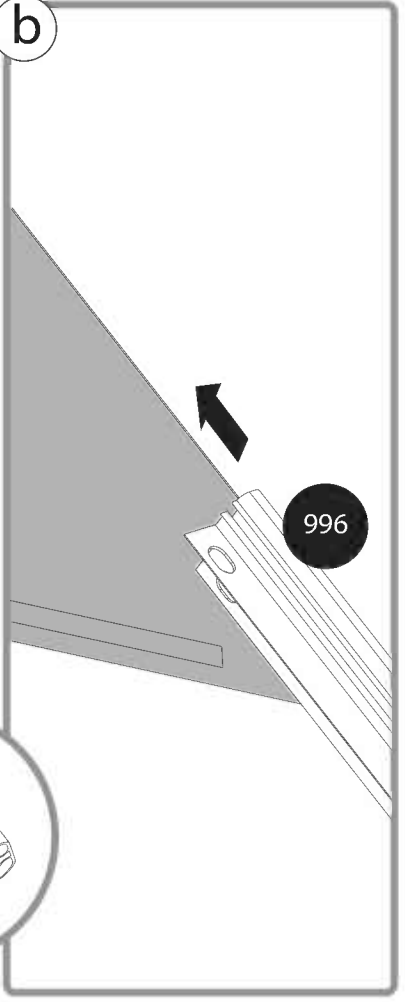
411

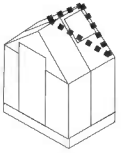


x4

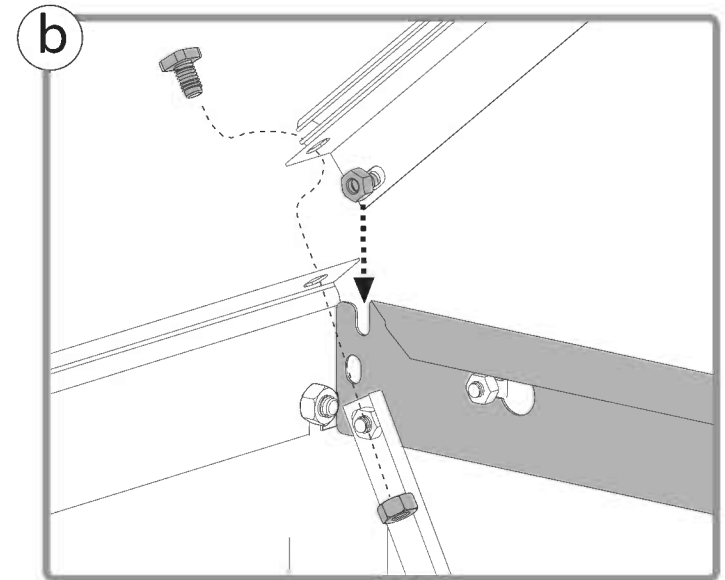
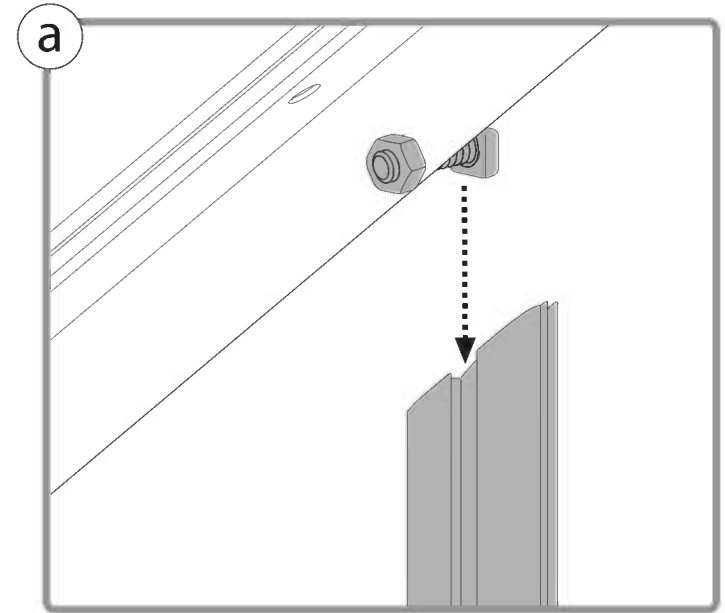
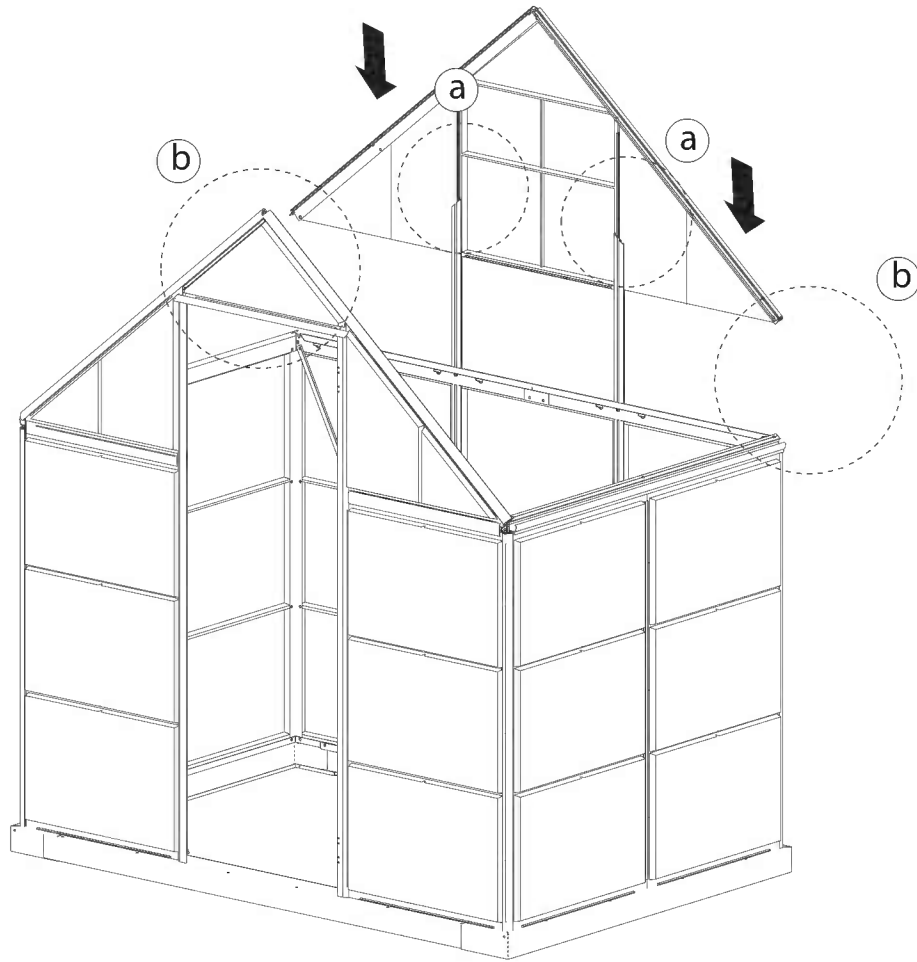


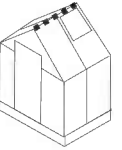
b



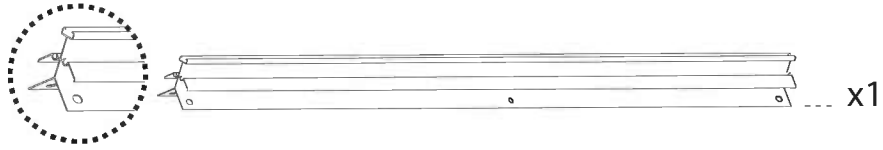


411  x2      412  x2



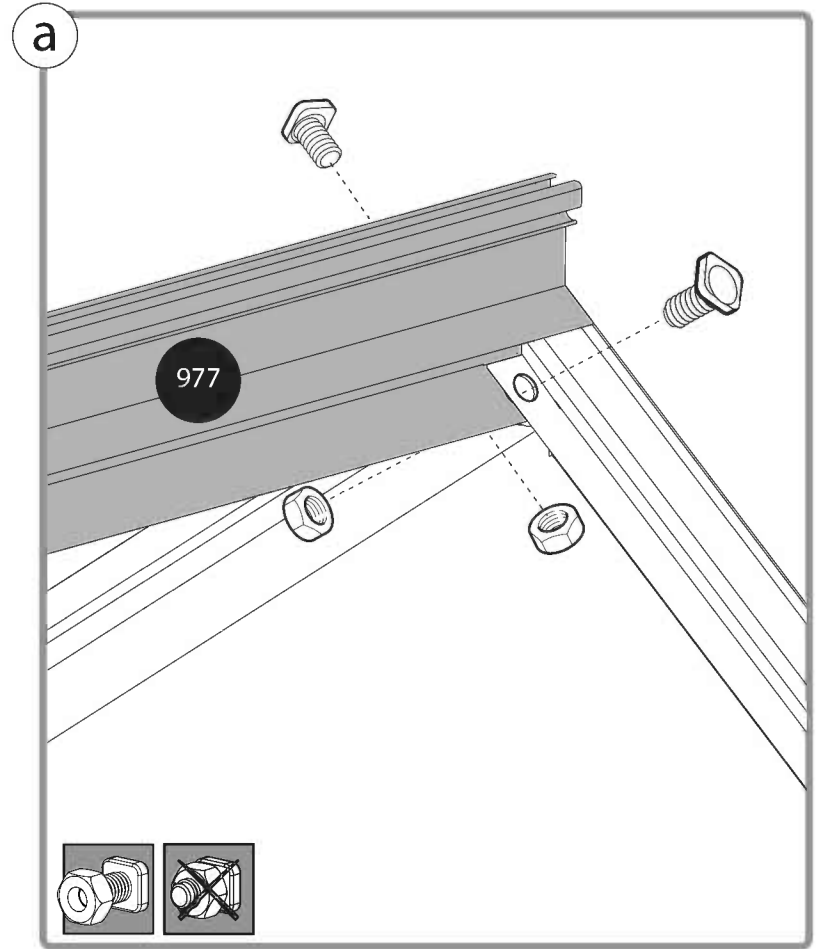
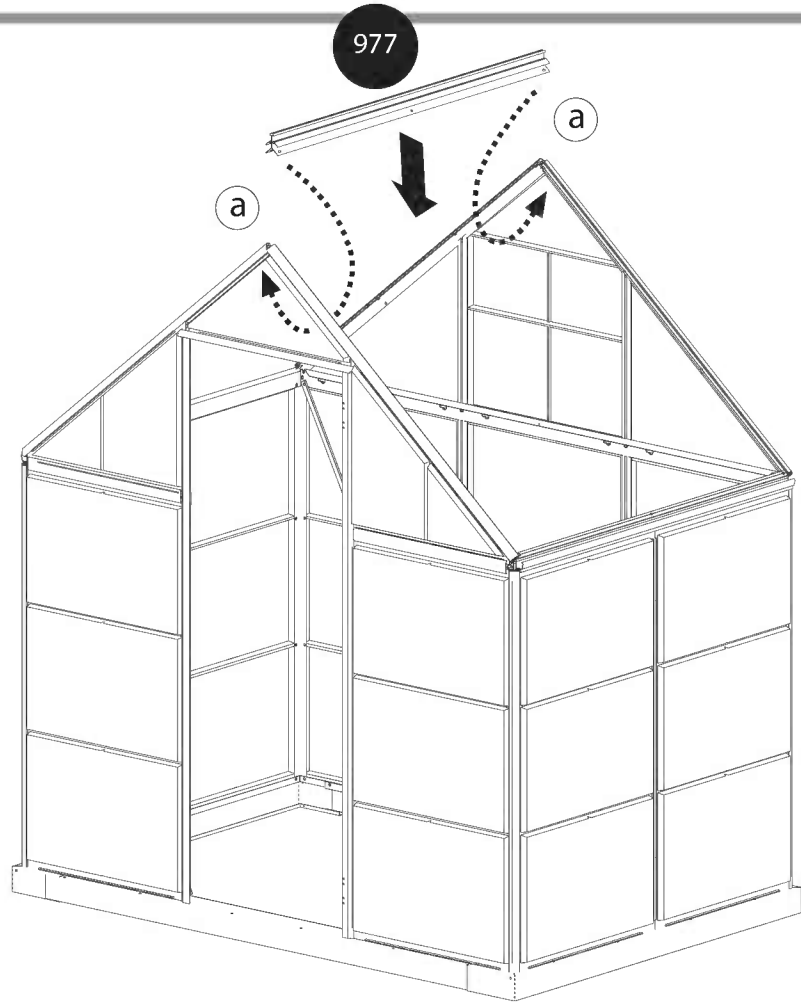


977



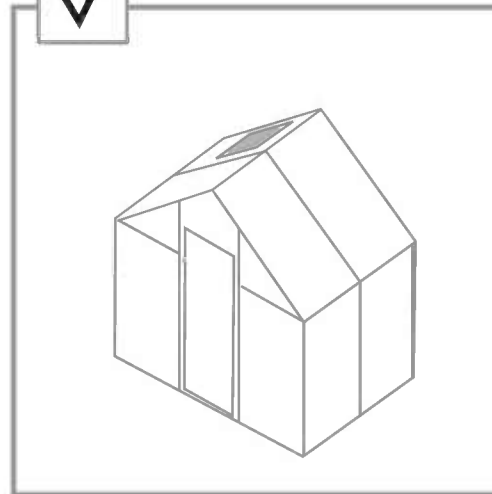
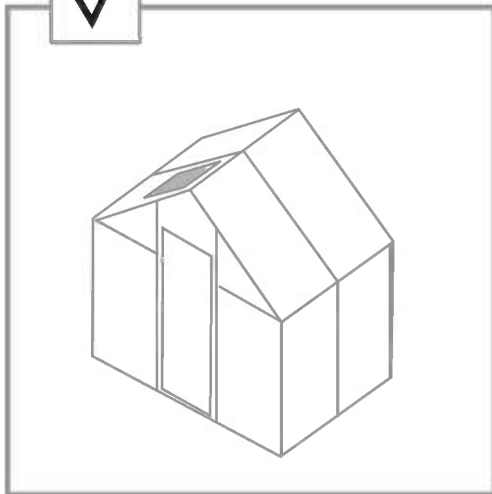
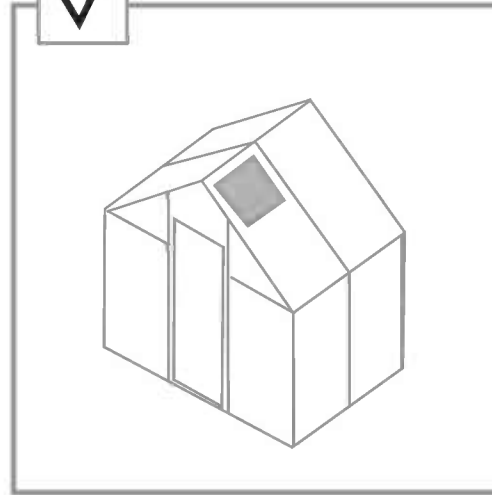
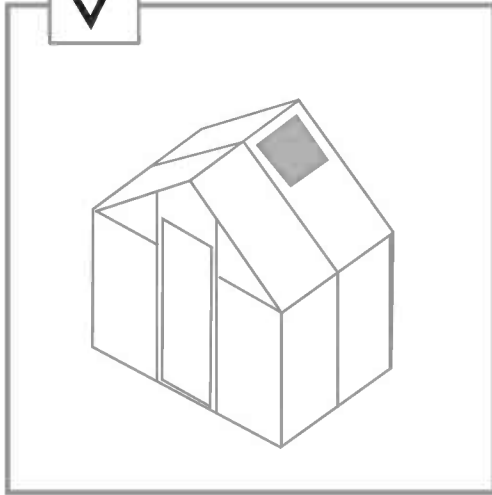
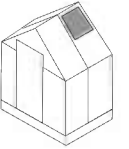
412 ..... x4

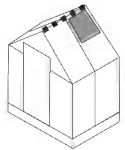
411 ..... x4








**EN** Window Location  
**GR** Fenster Standort  
**FR** Fenêtre Emplacement  
**SP** Ventana Ubicación

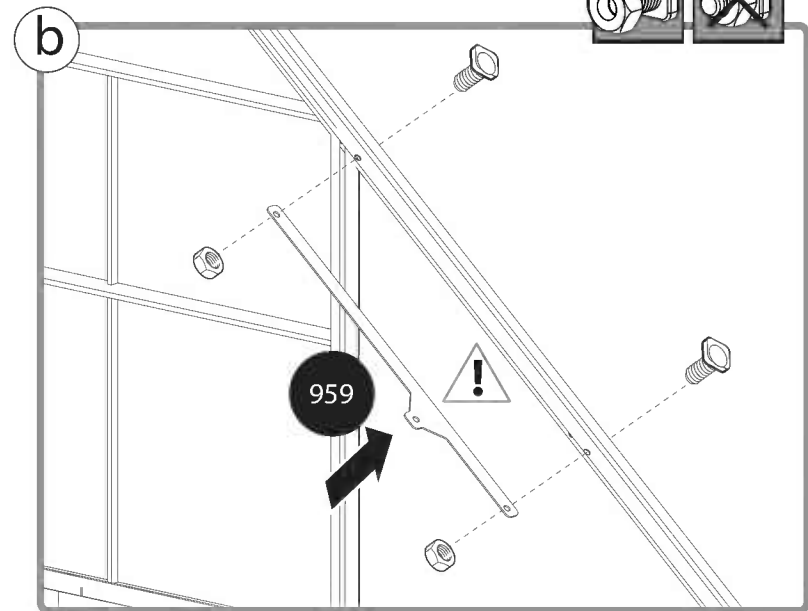
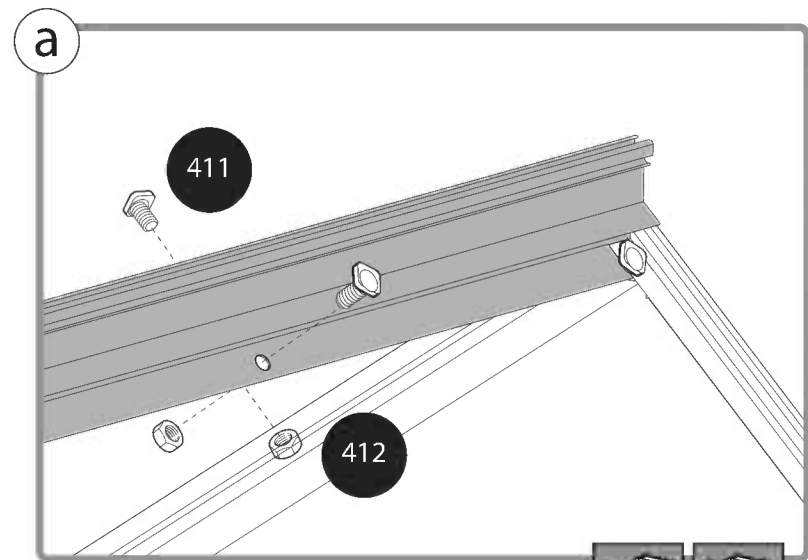
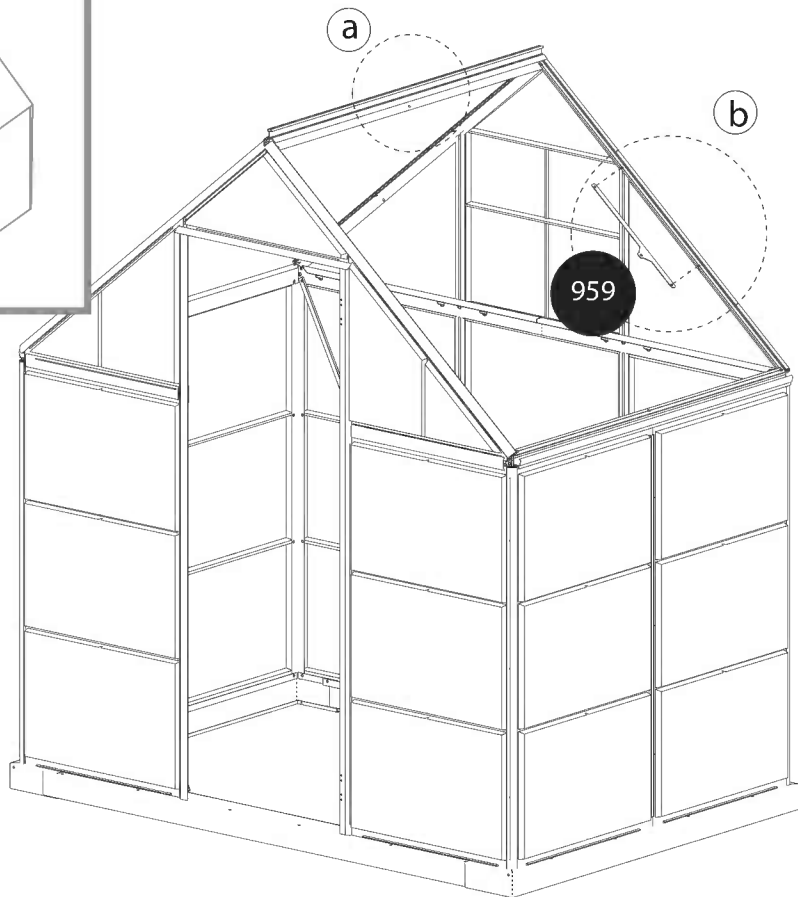
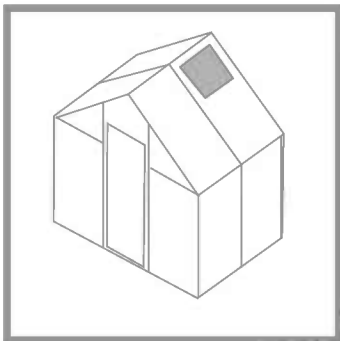


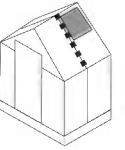



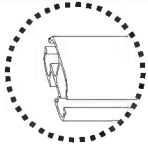
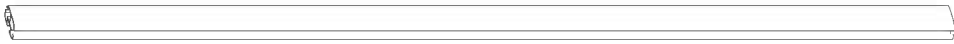


411  x4

412  x4

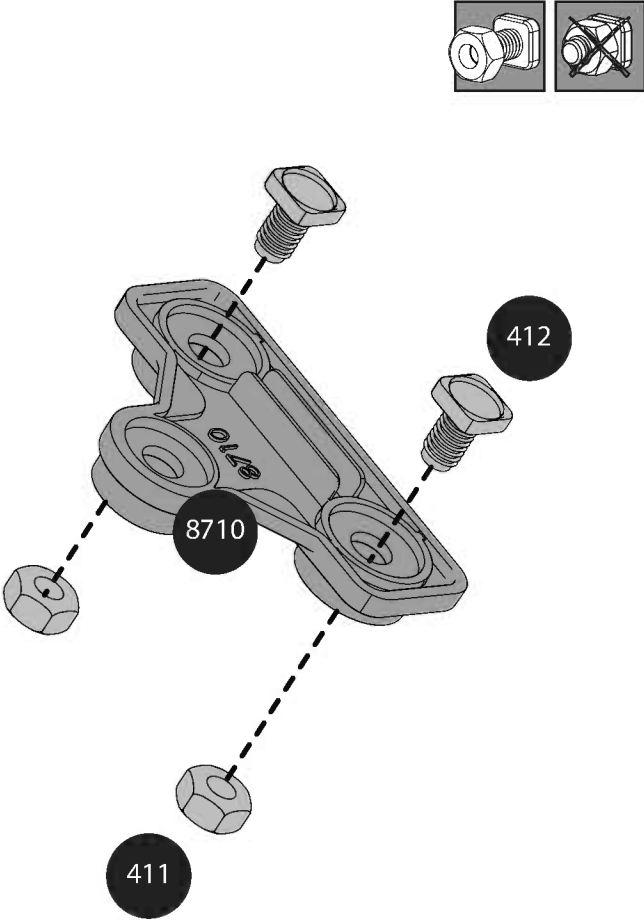
959  x1





<b>8710</b> .....		... x1	<b>993</b> .....			... x1
<b>411</b> .....		... x2	<b>412</b> .....		... x2	

**a**

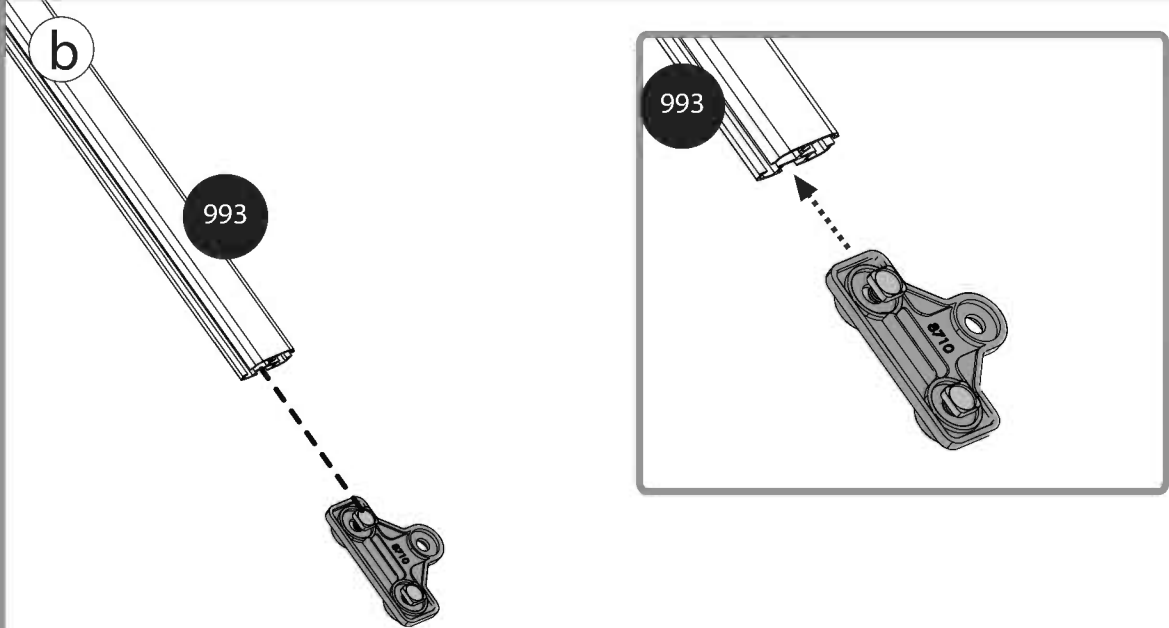


8710

411

412

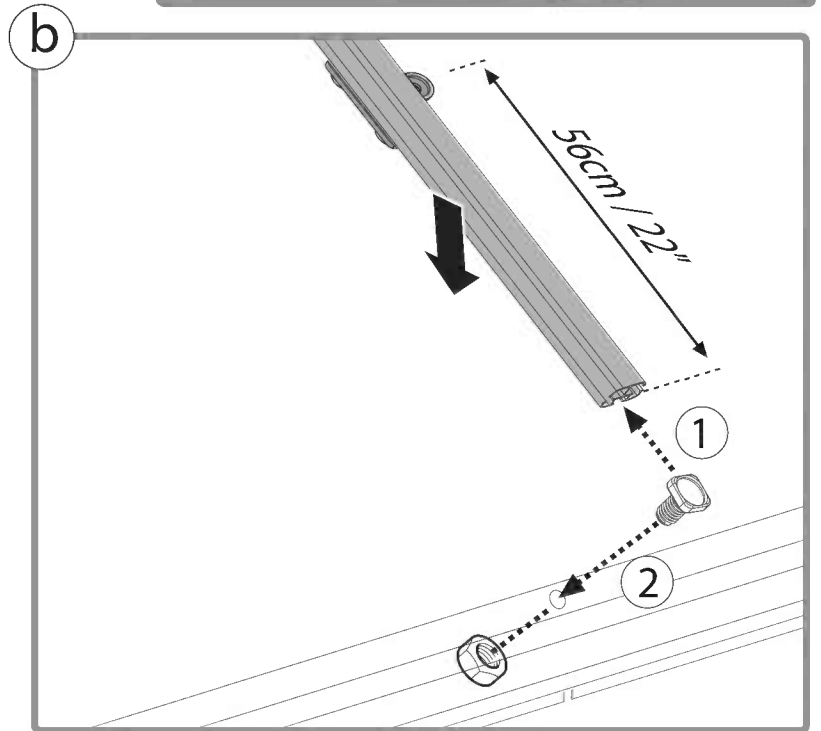
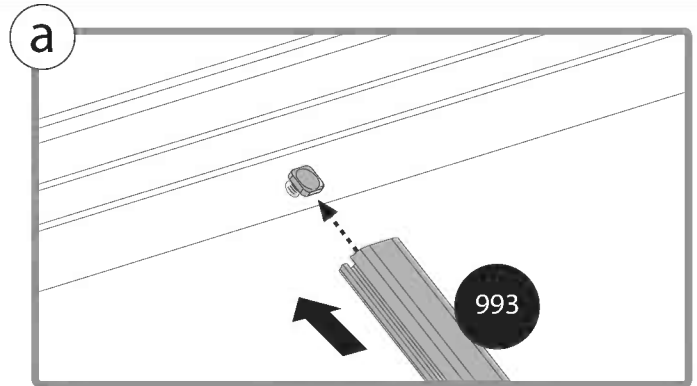
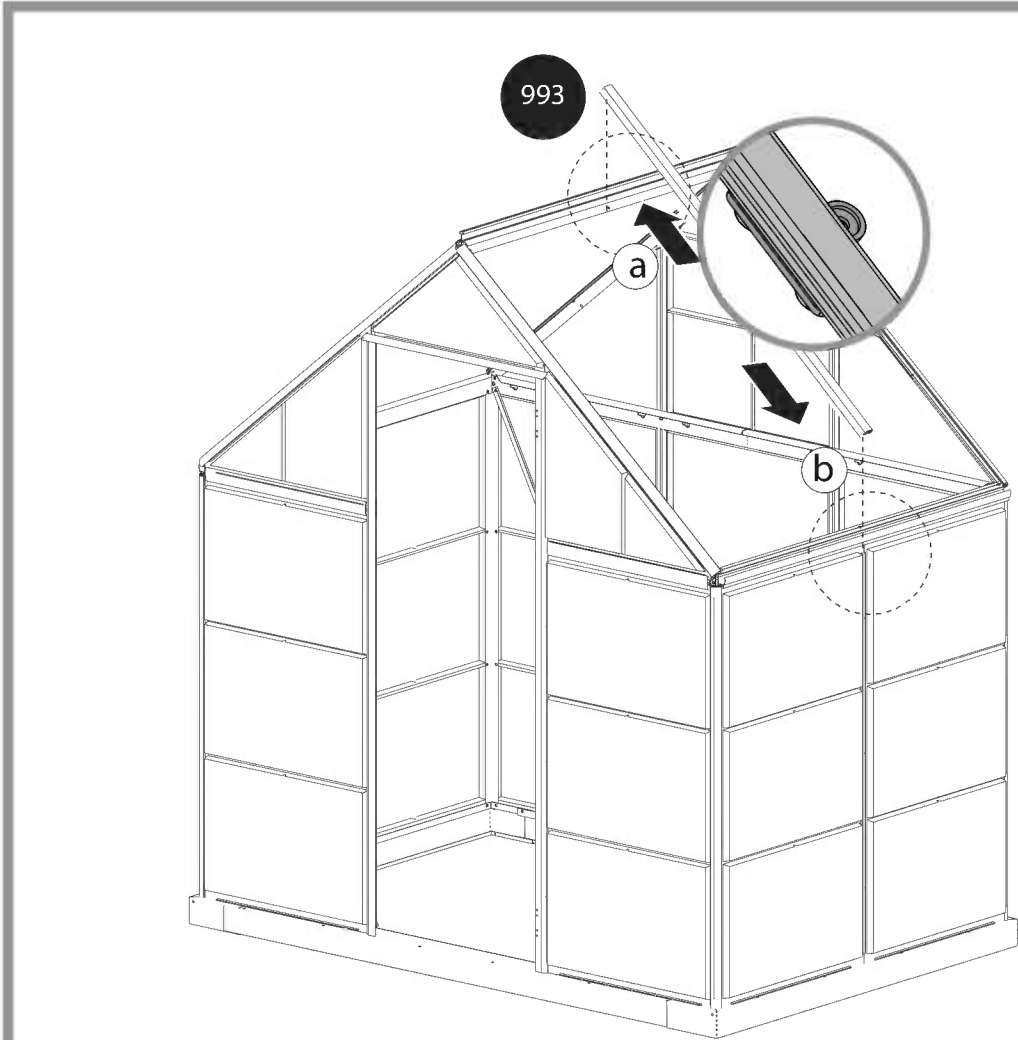
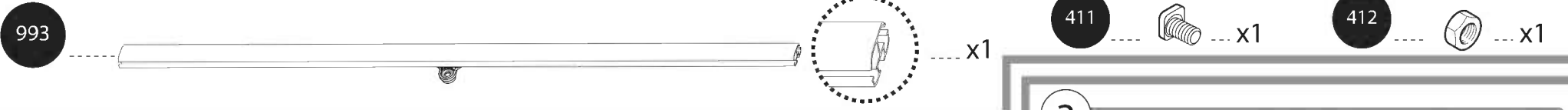
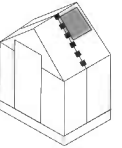
**b**

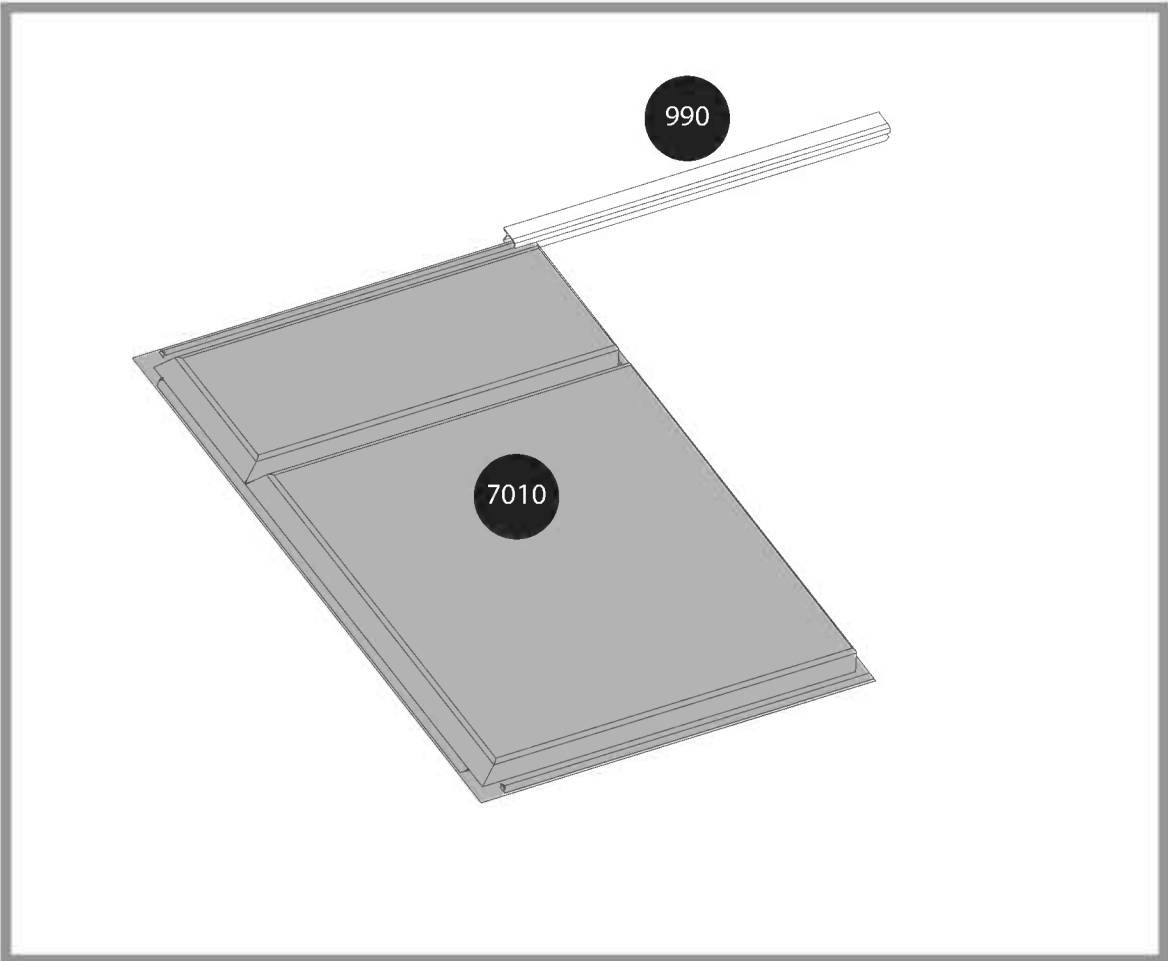
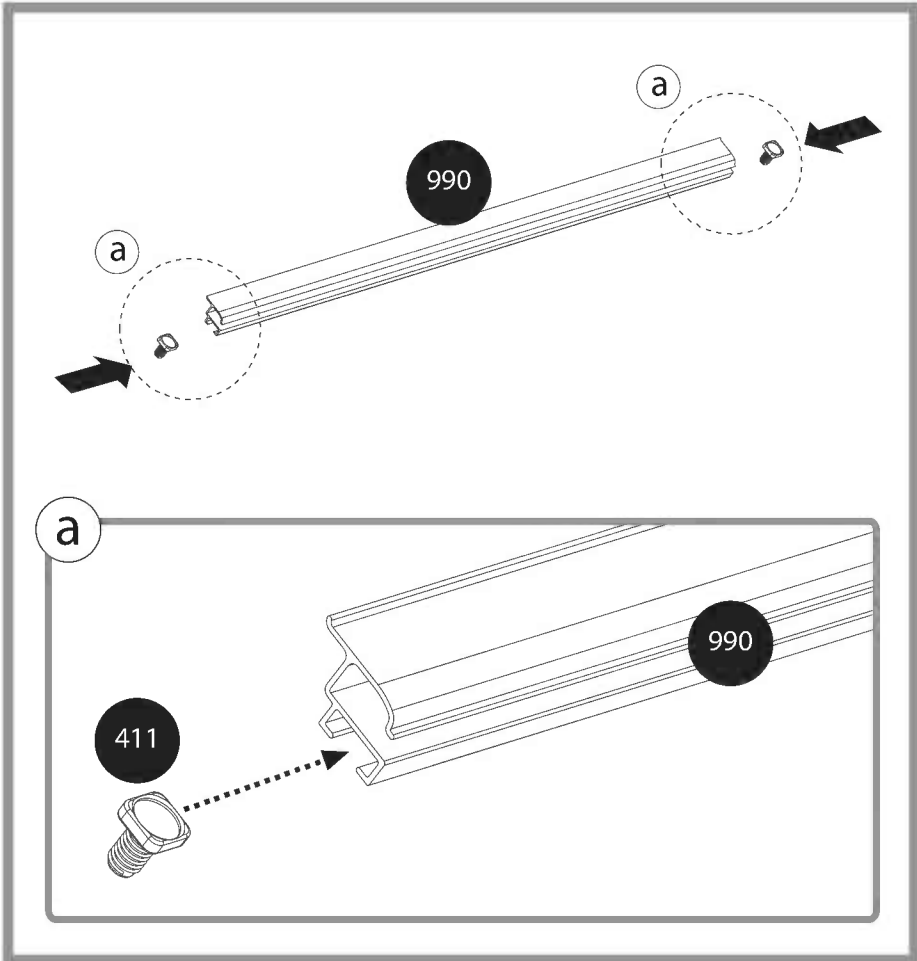
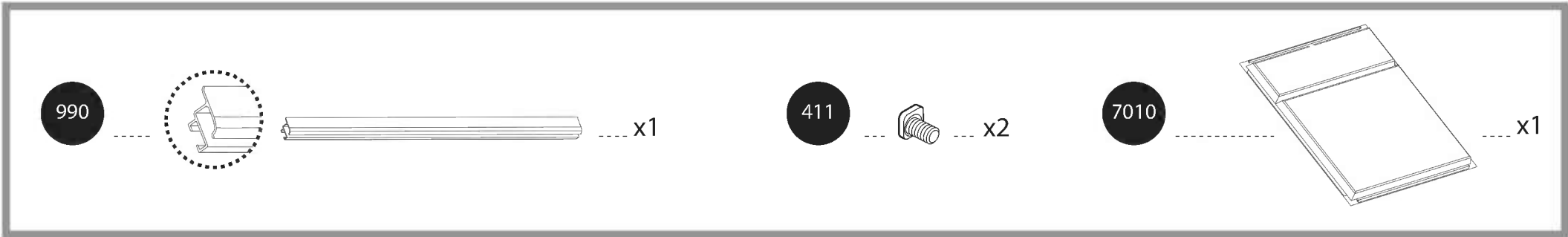
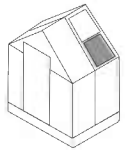


993

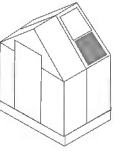
8710

993

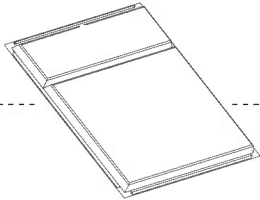




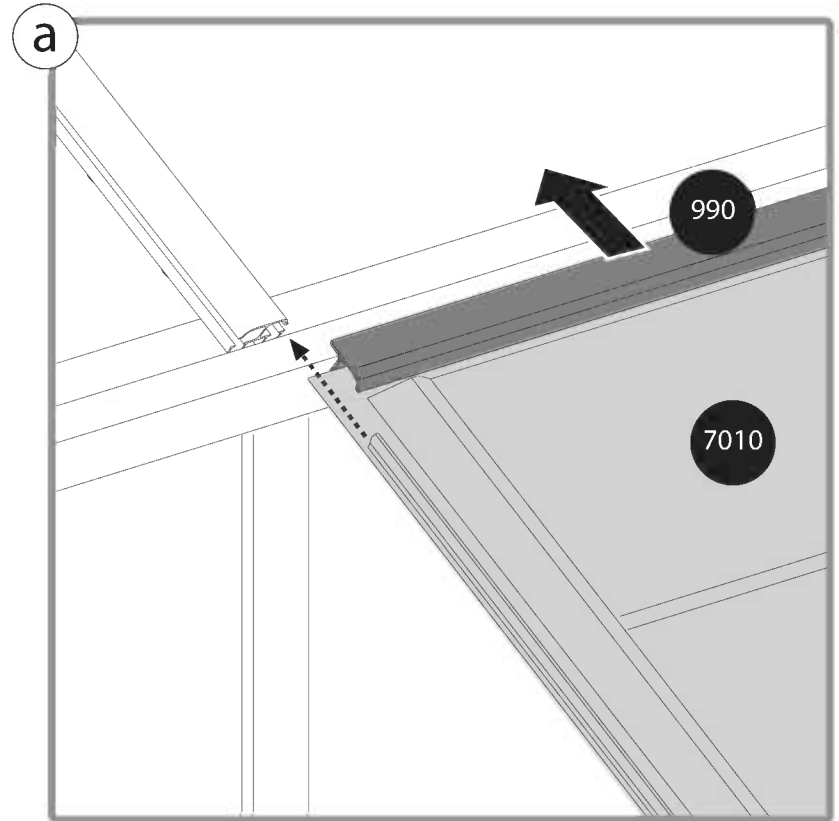
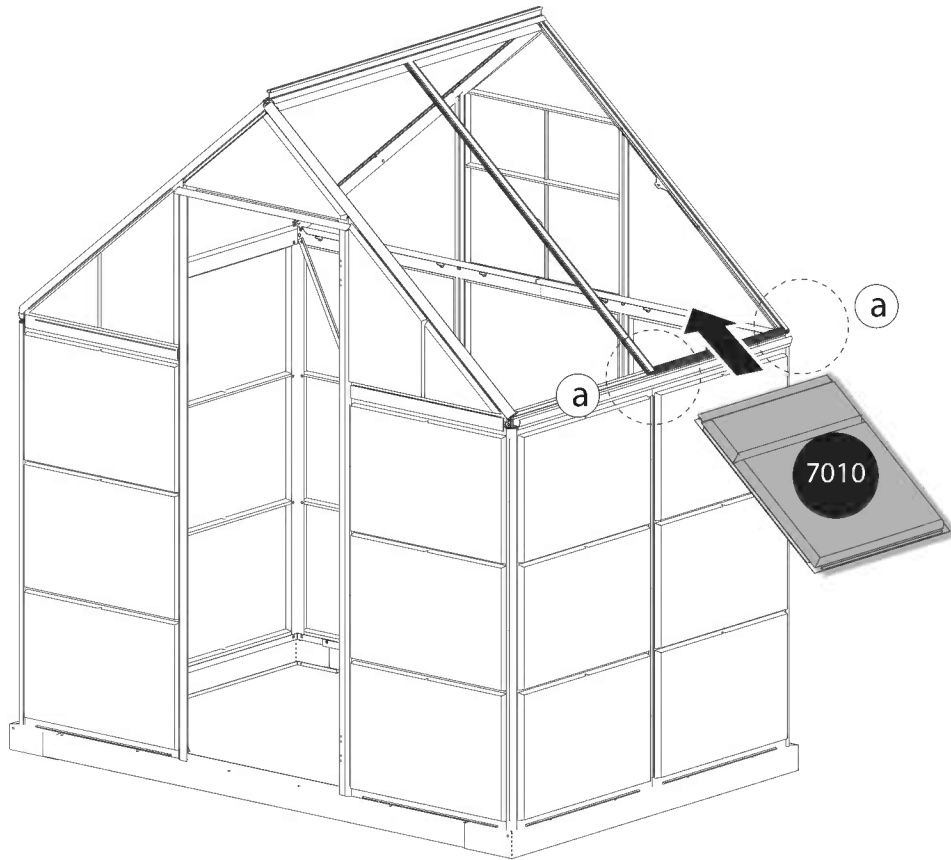


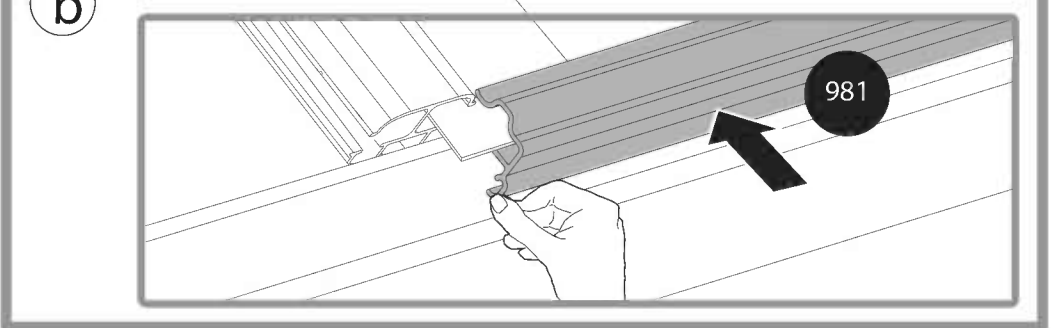
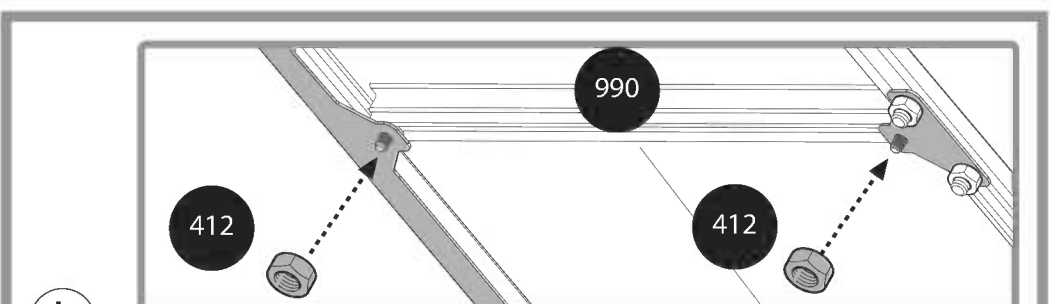
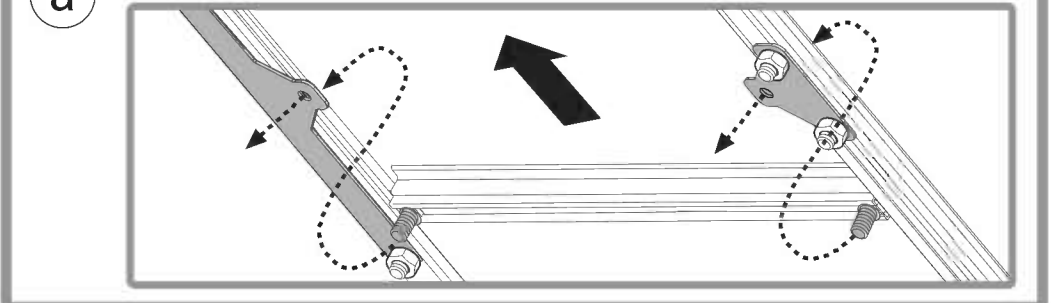
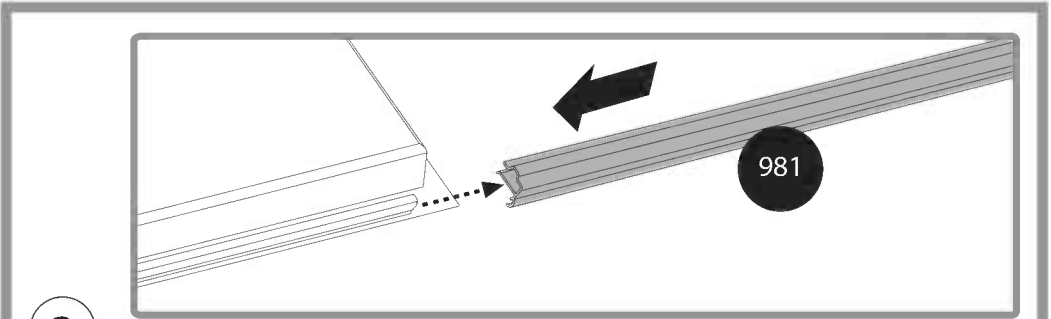
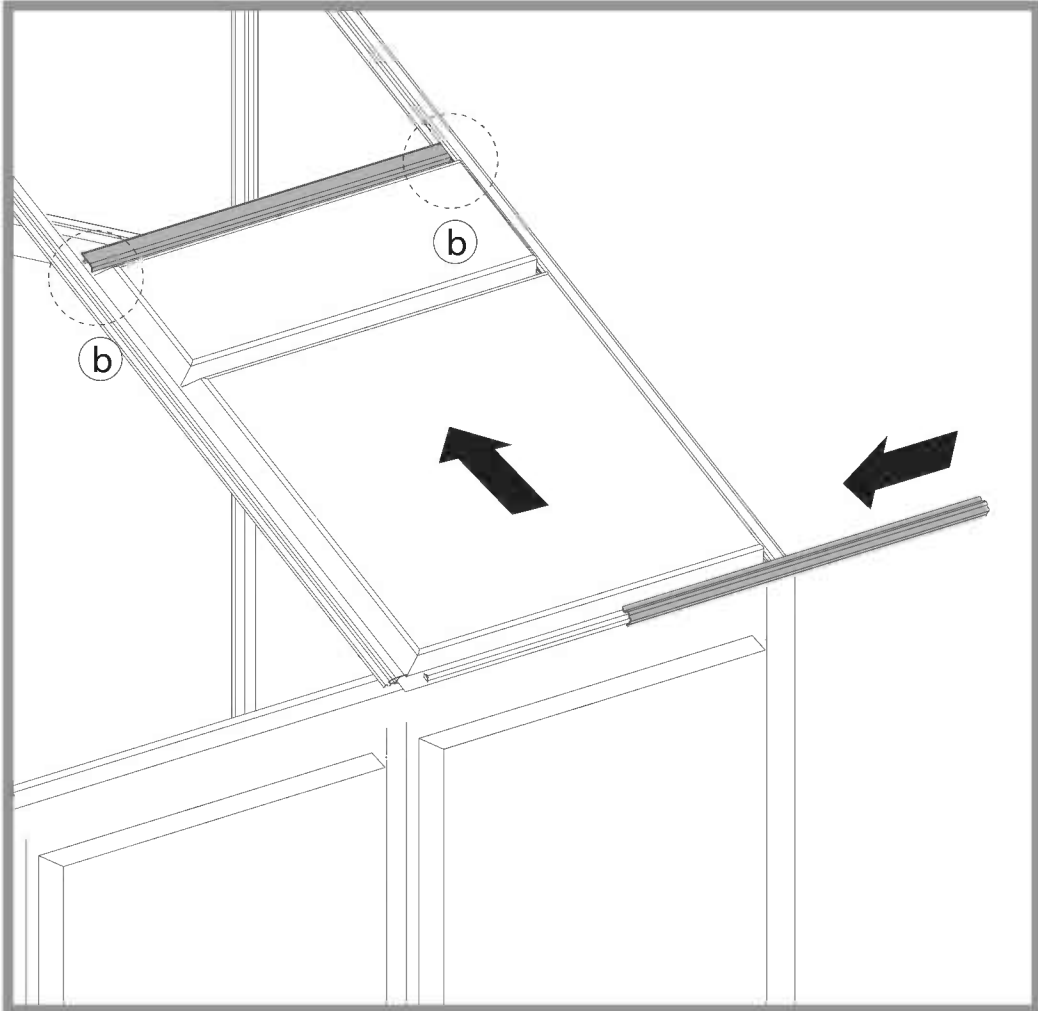
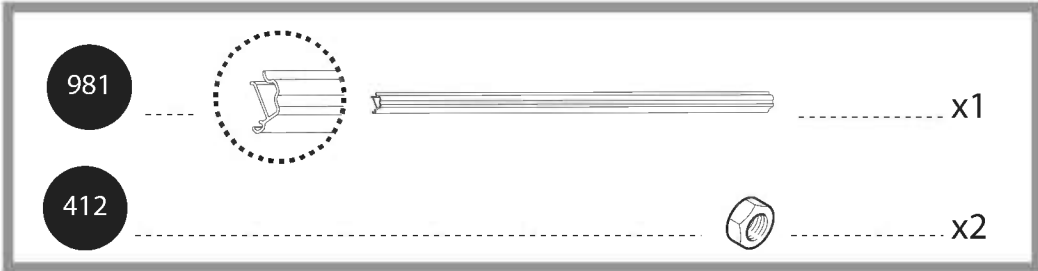
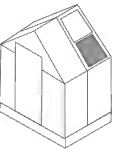


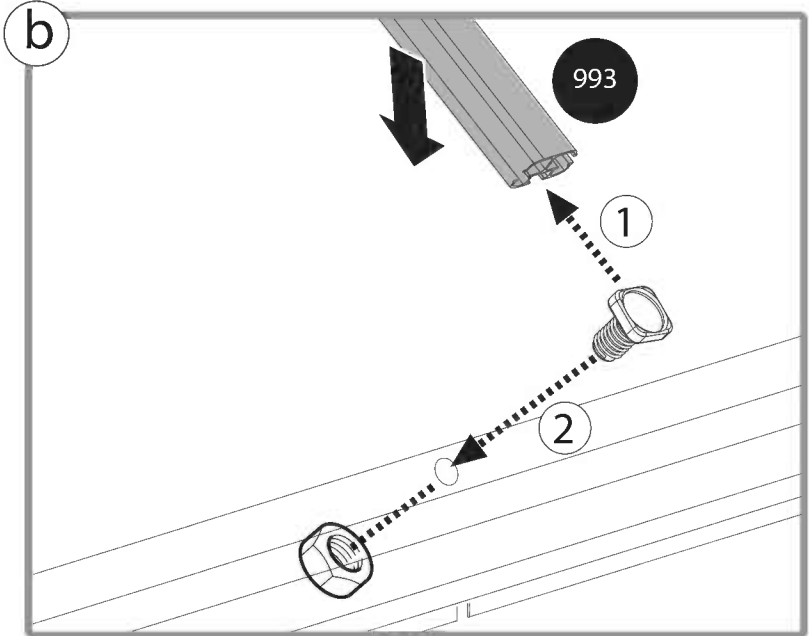
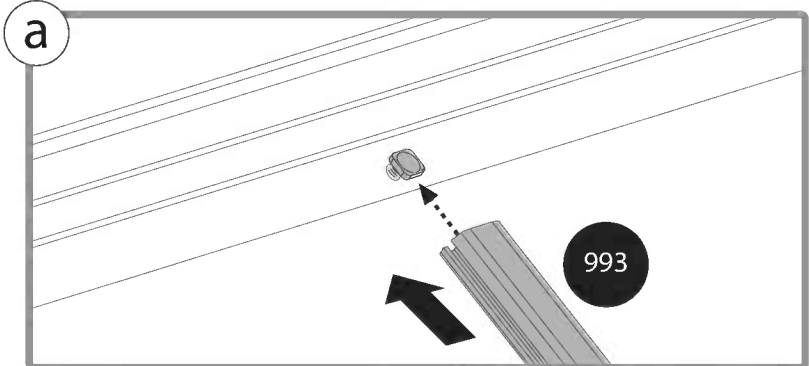
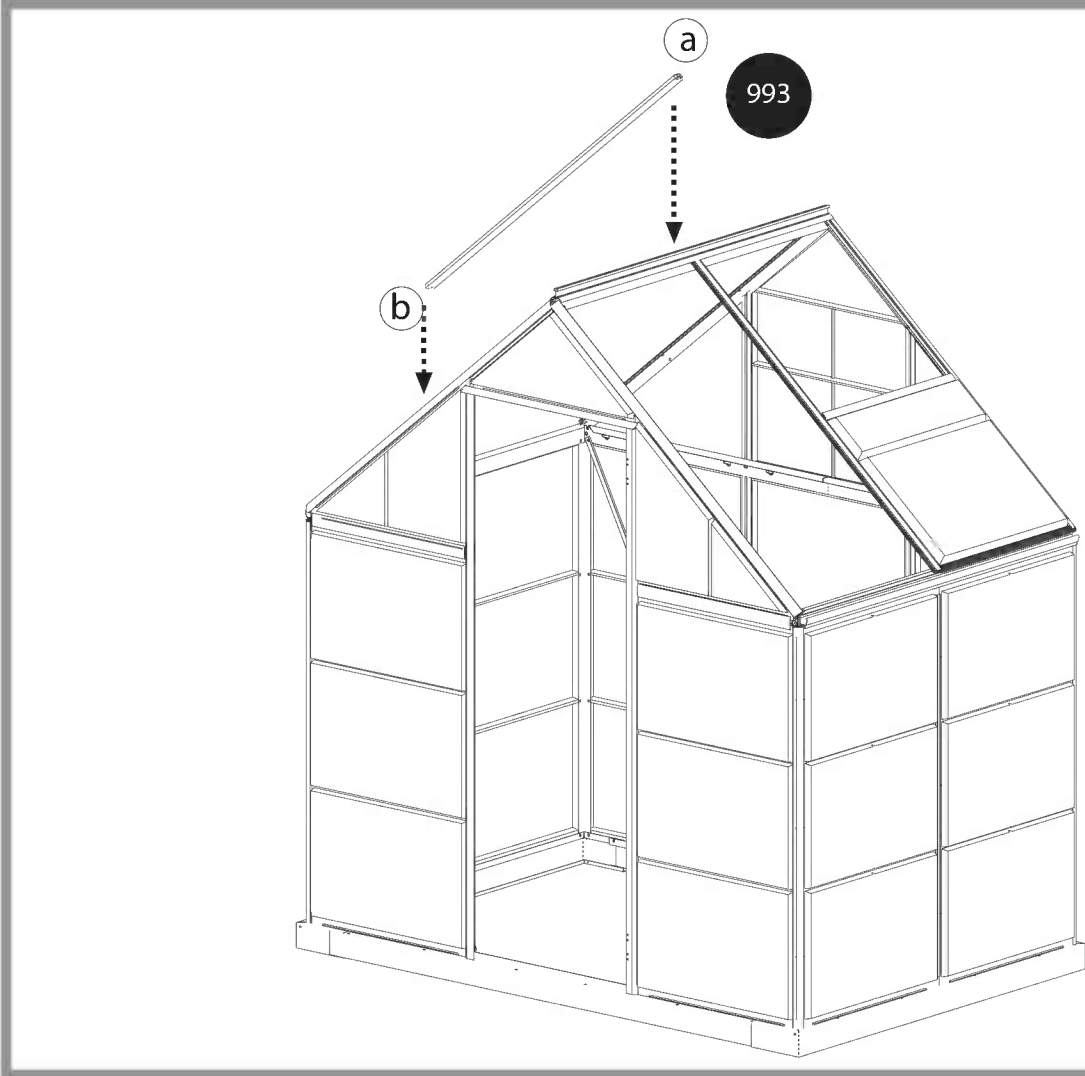
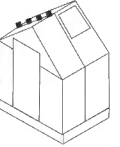
7010

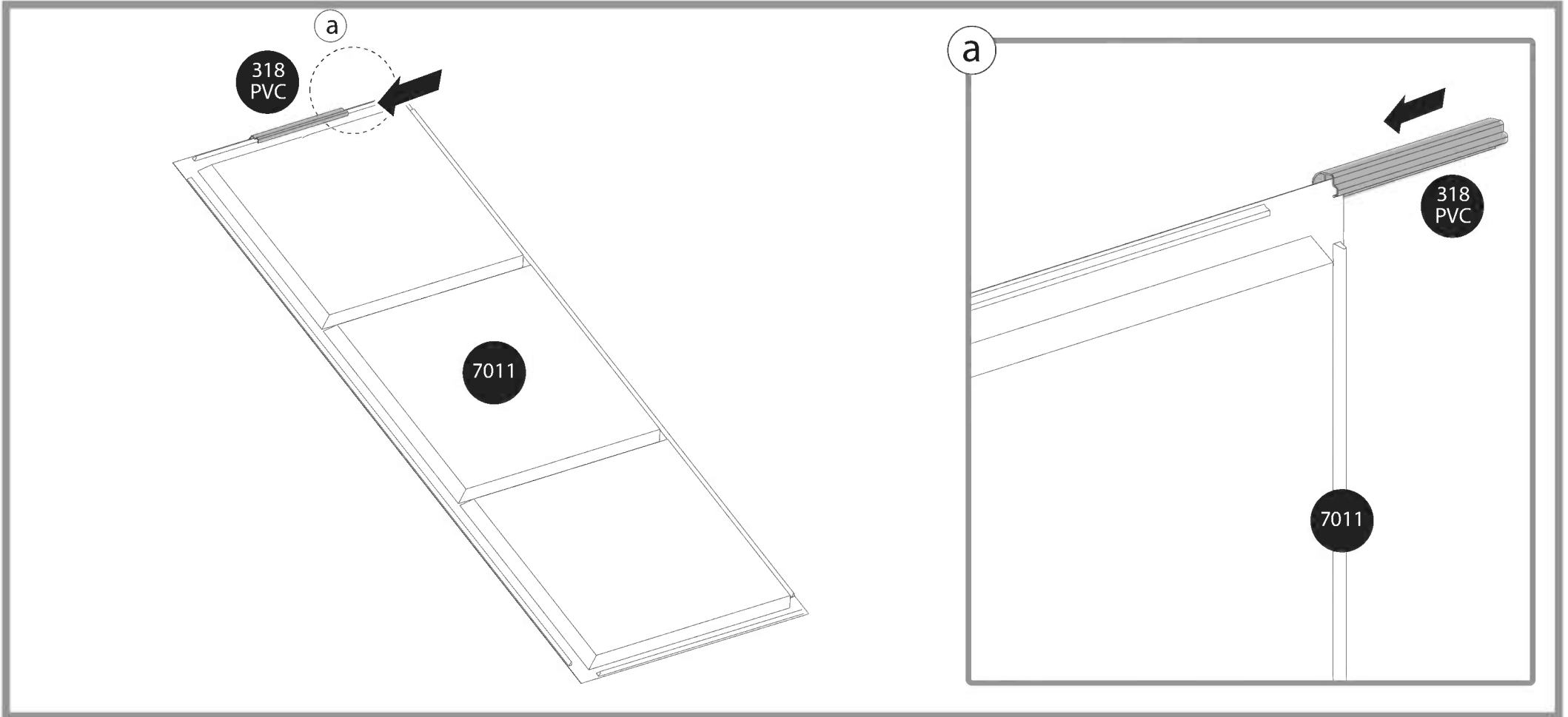
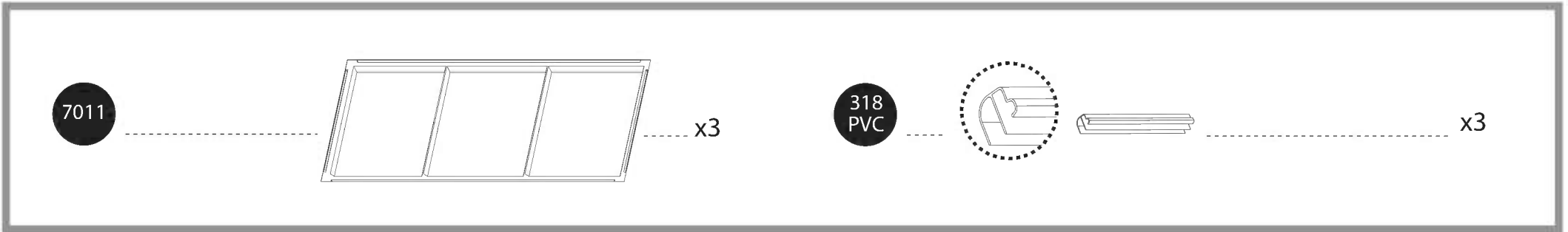
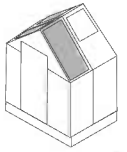


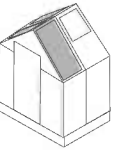
x1



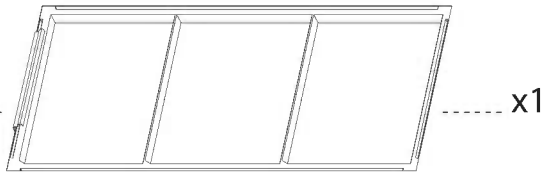




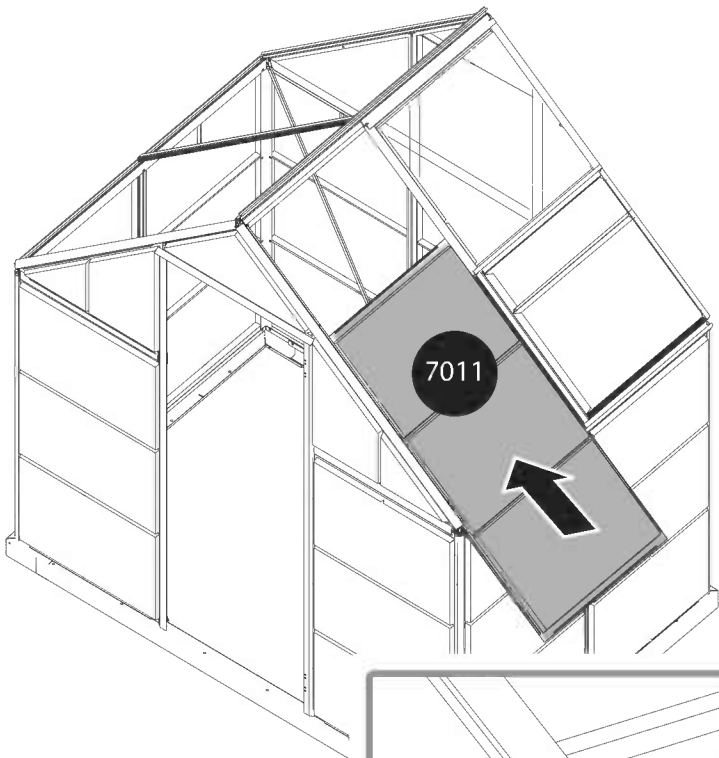
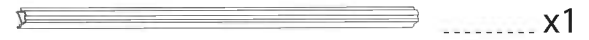




7011

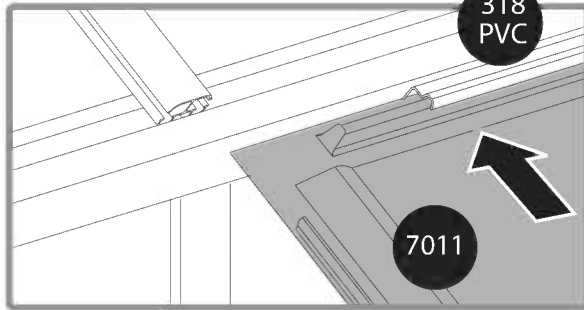


981



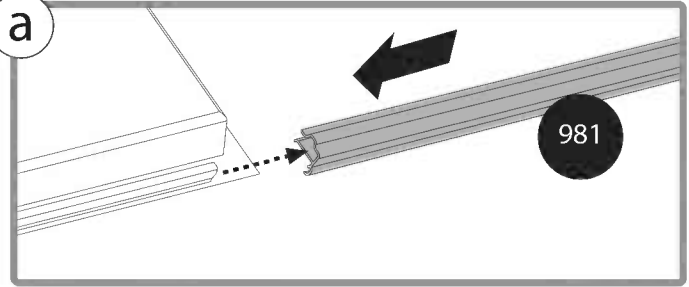
7011

318  
PVC



7011

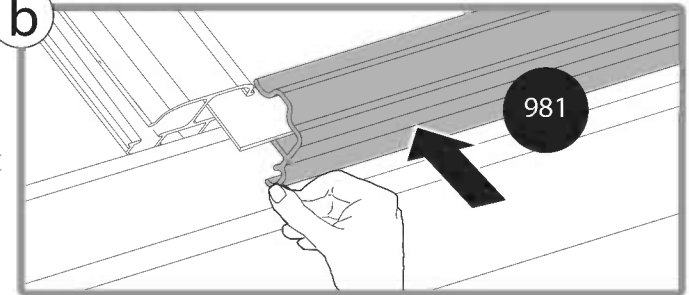
a



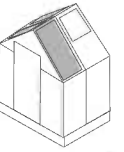
981

981

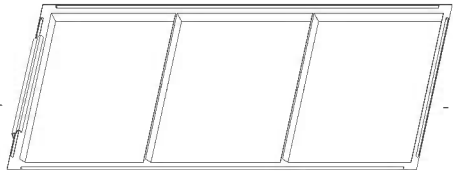
b



981



7011

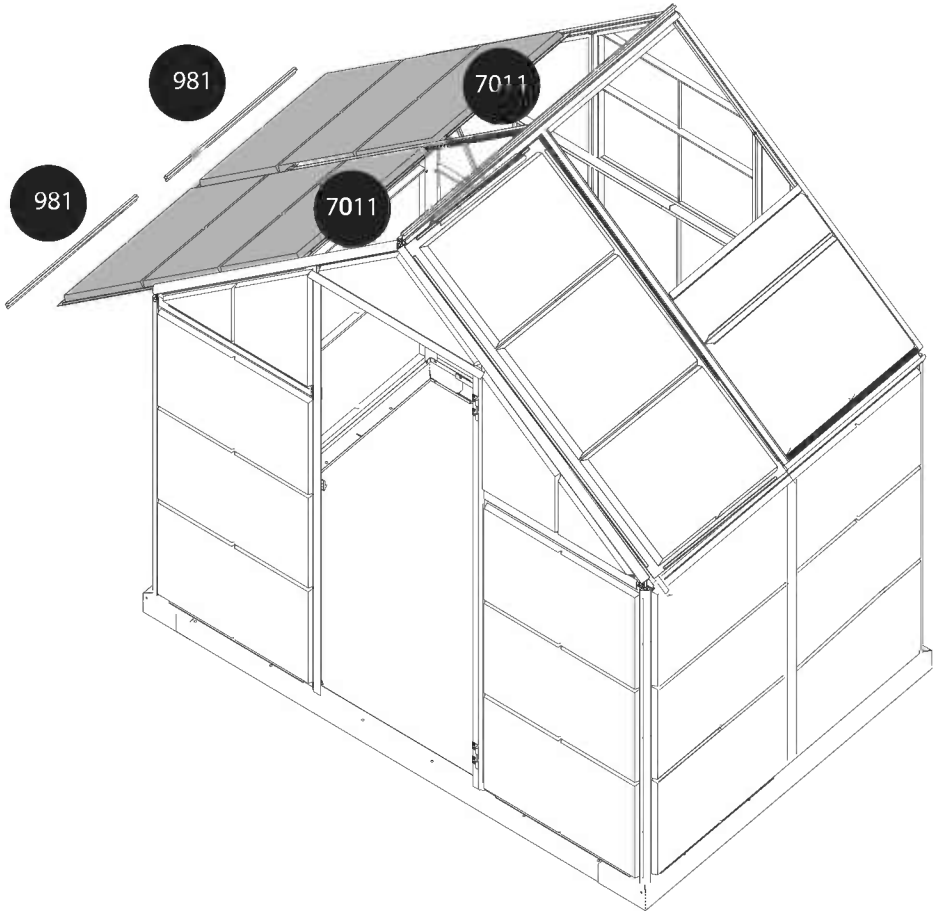


x2

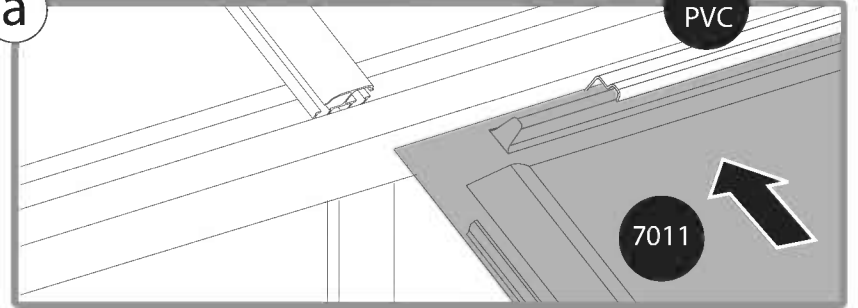
981



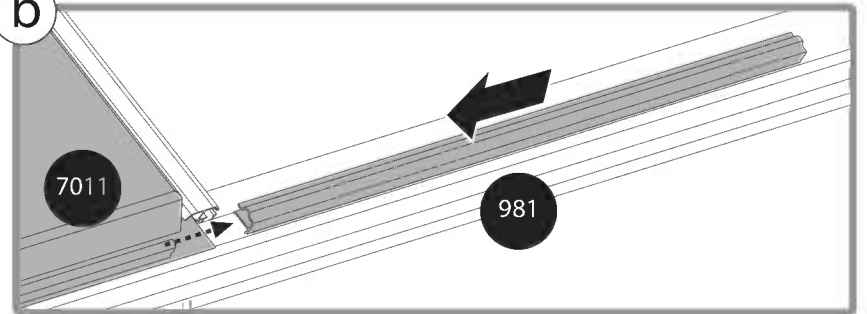
x2



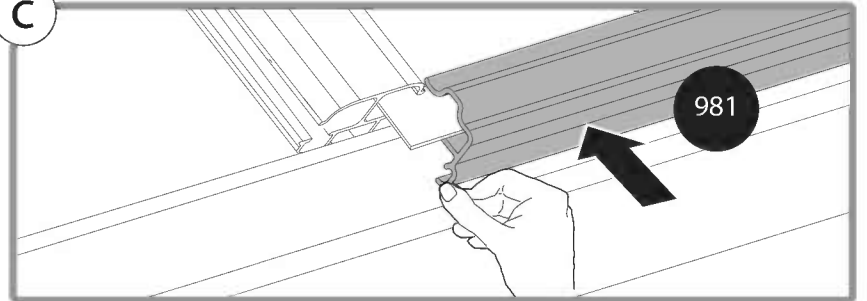
a

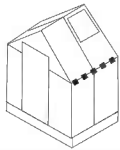


b

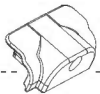


c



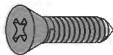


329

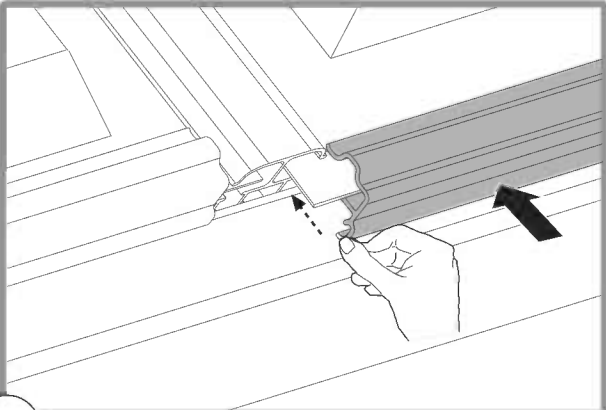
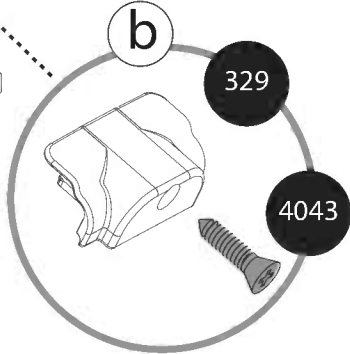
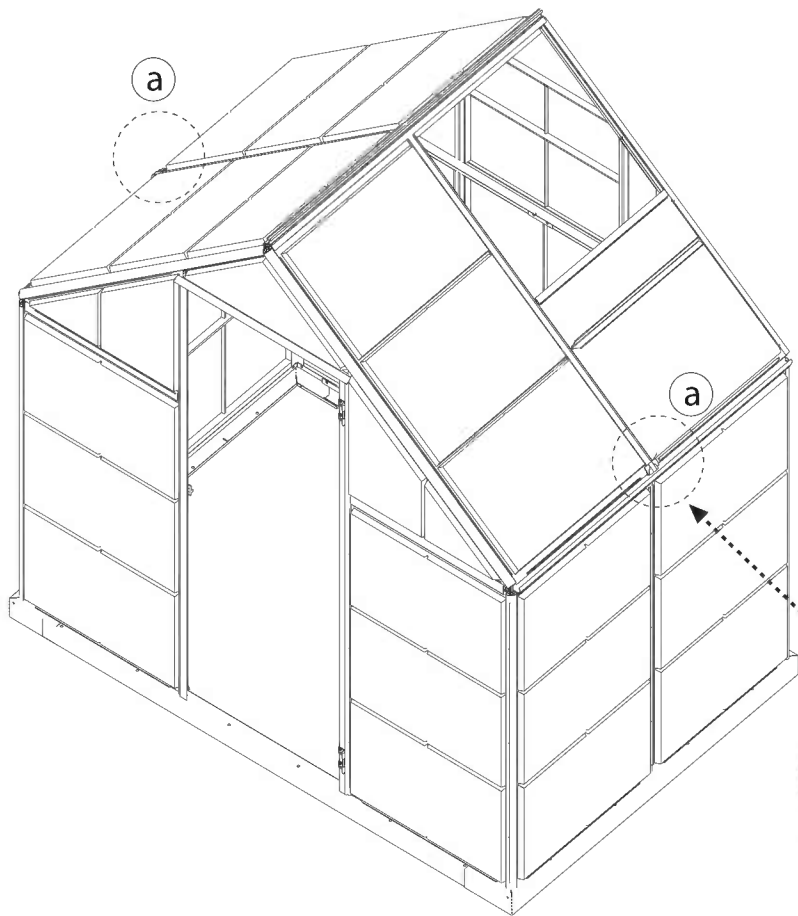


x2

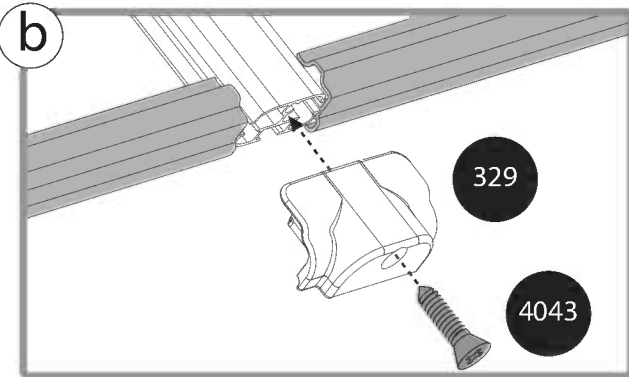
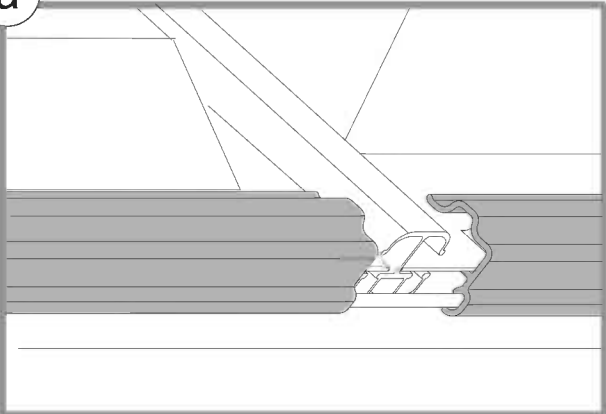
4043



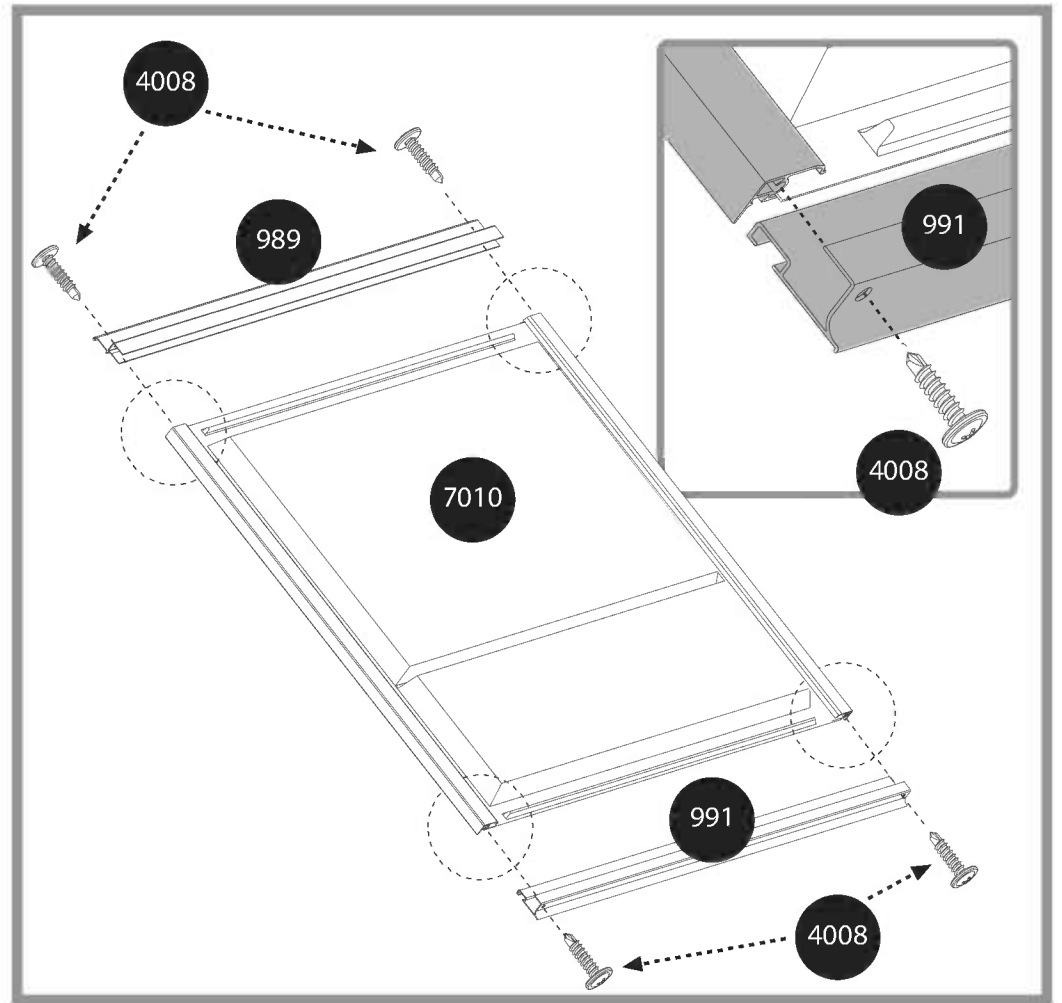
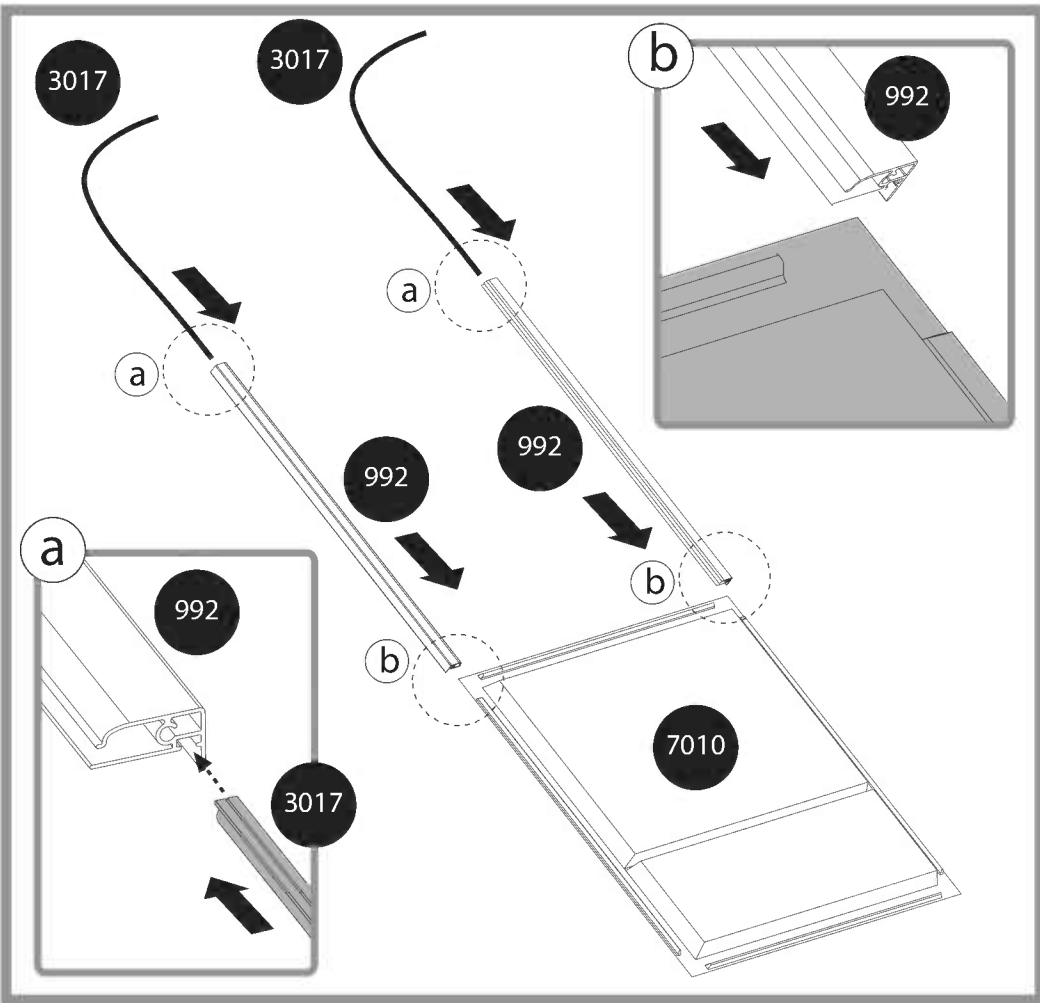
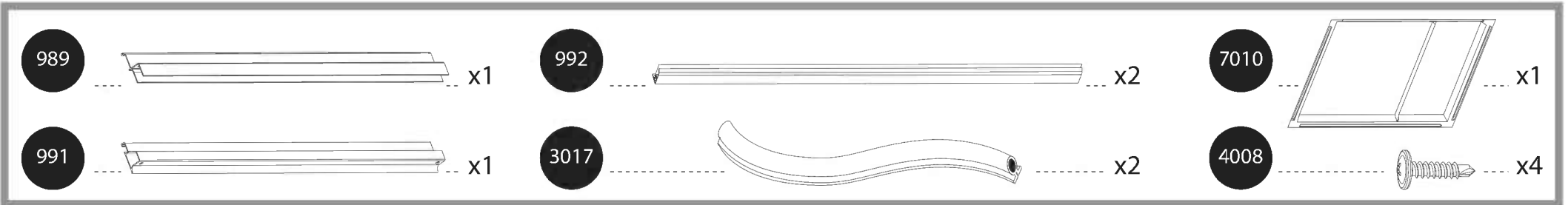
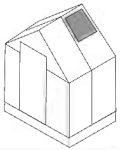
x2



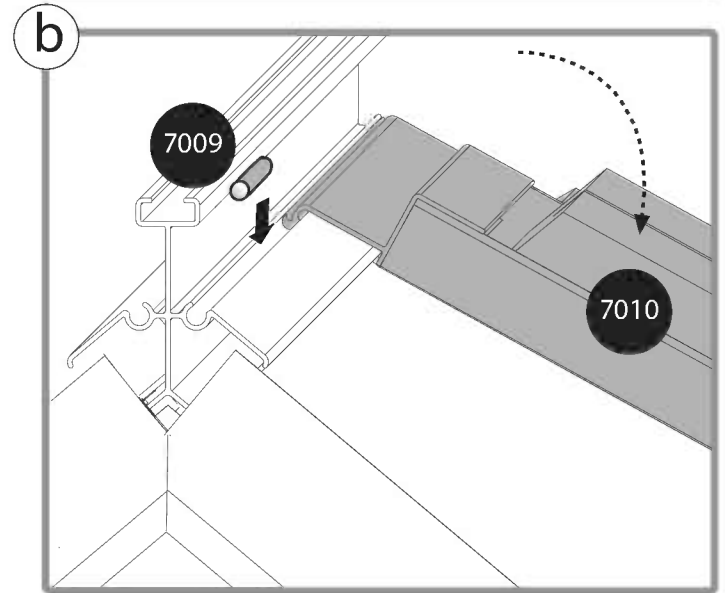
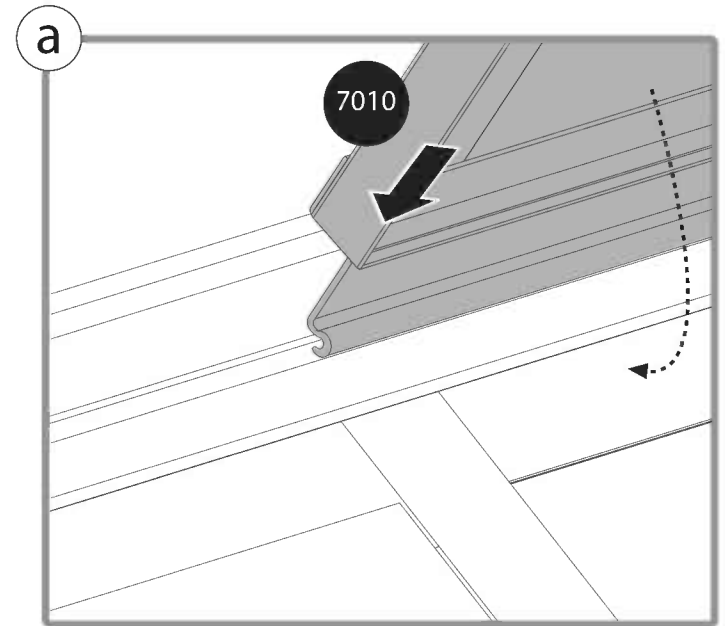
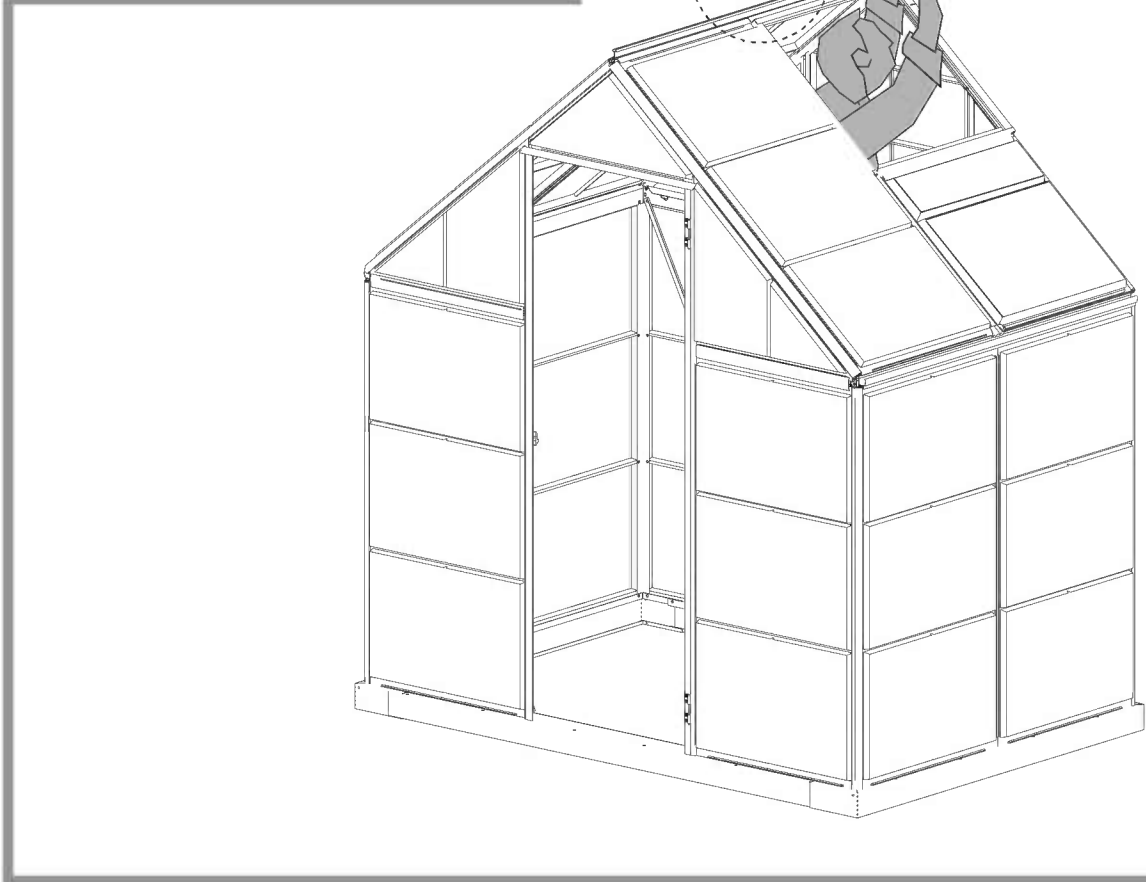
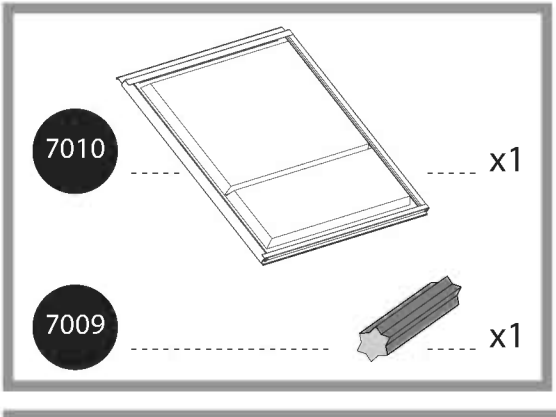
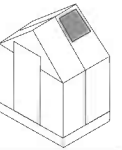
a

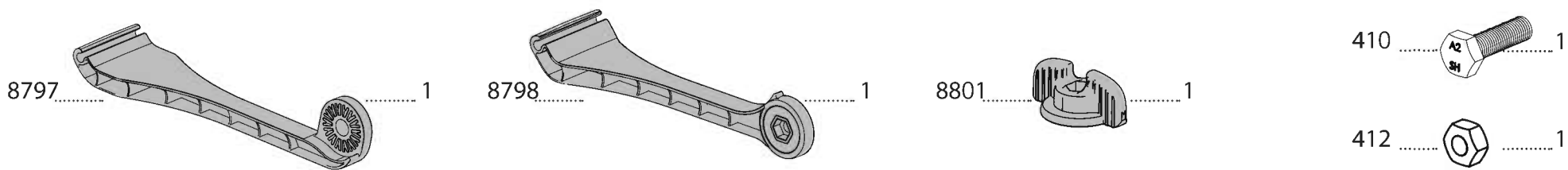
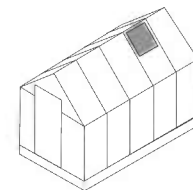


b

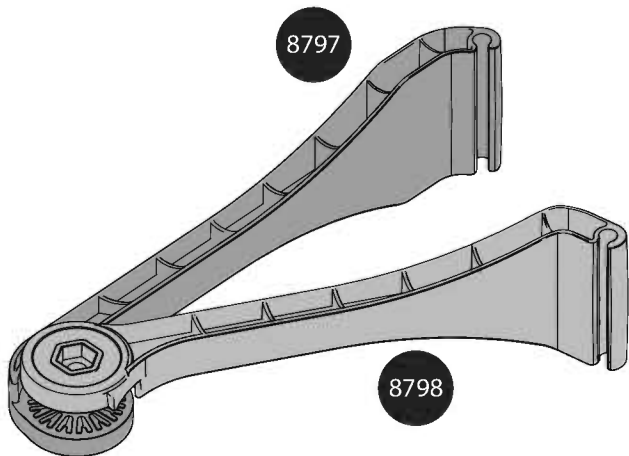




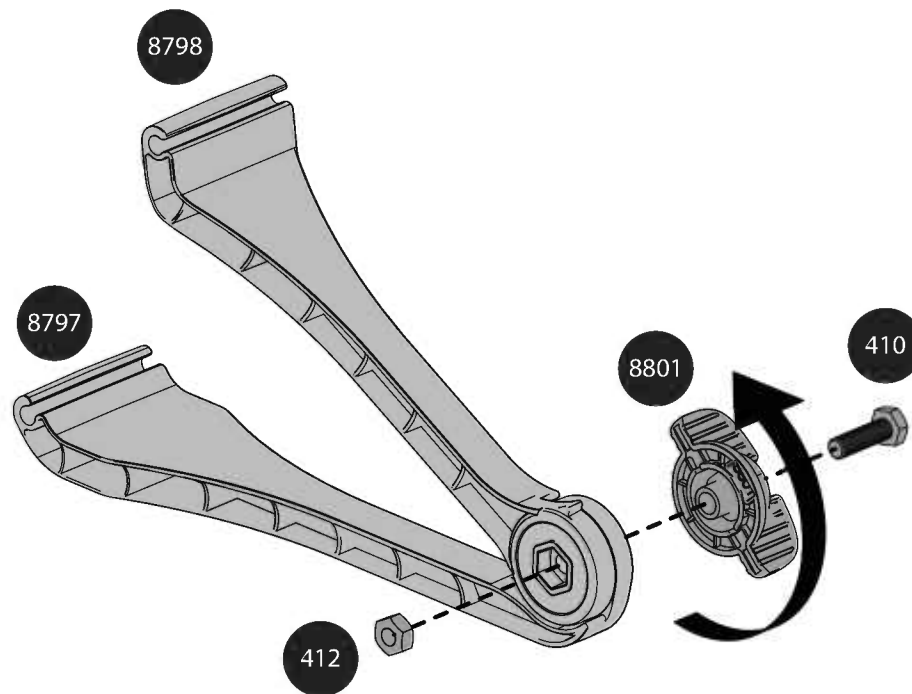


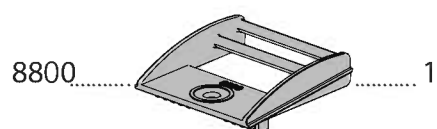
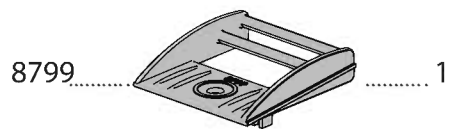
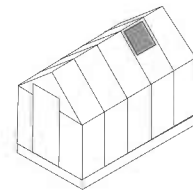


a

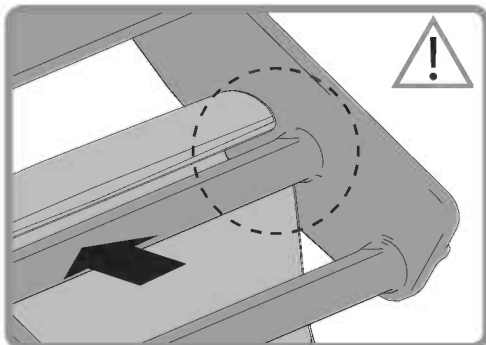
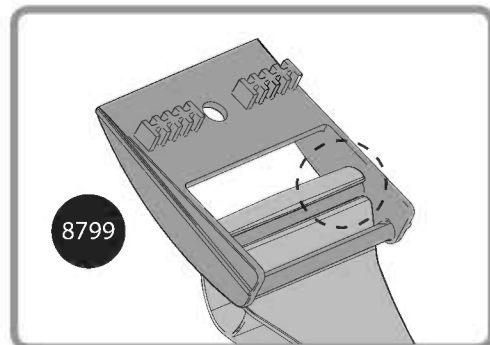
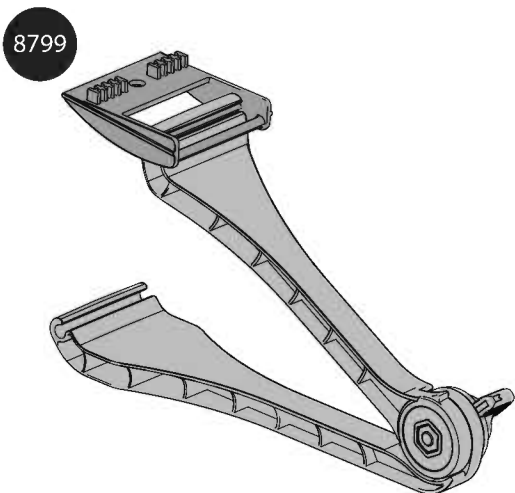


b

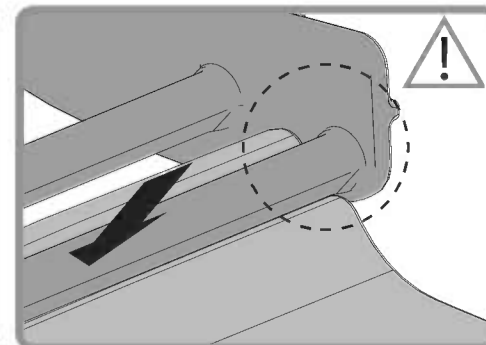
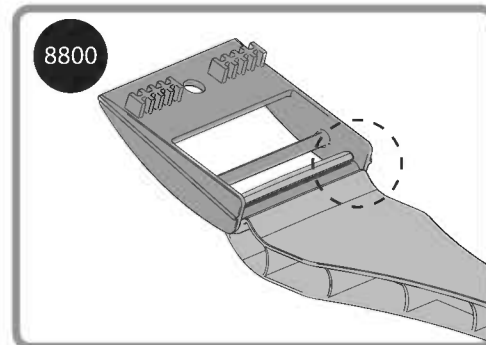
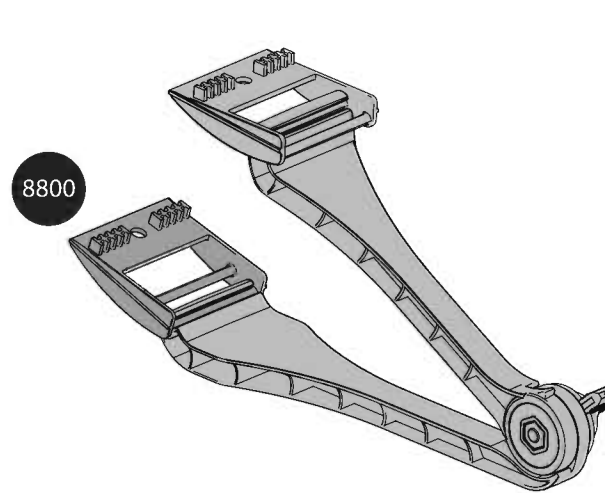


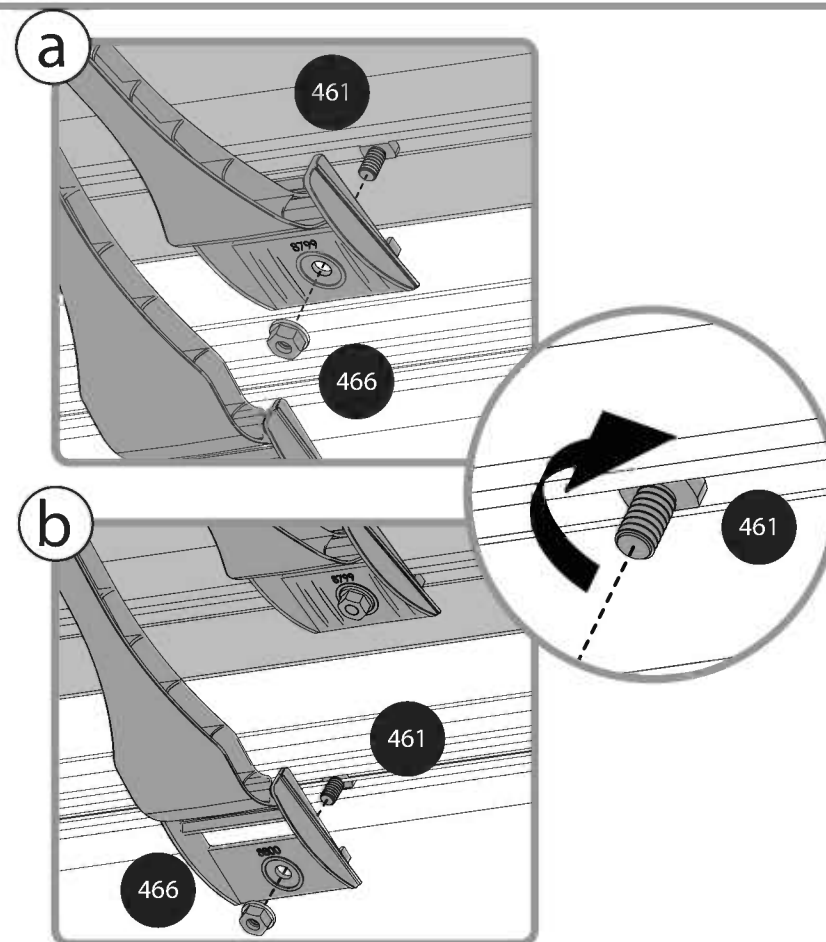
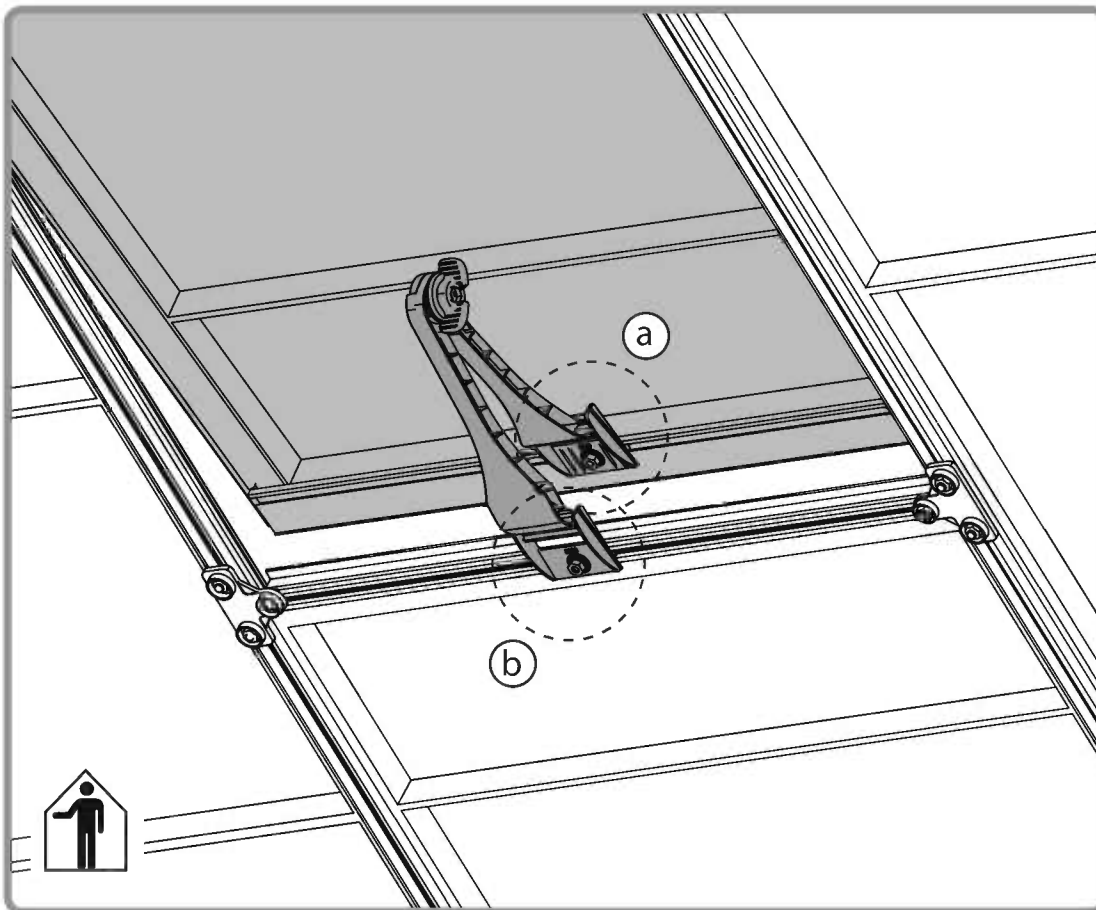
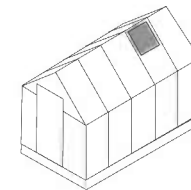


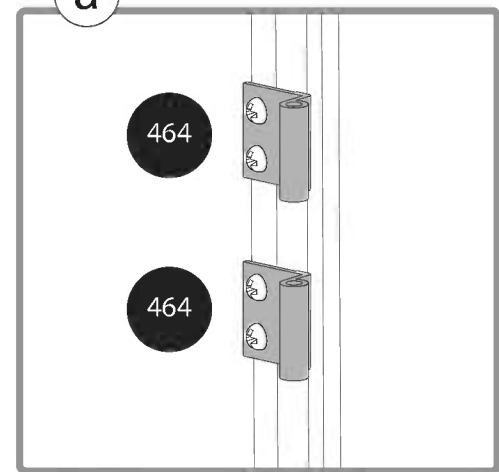
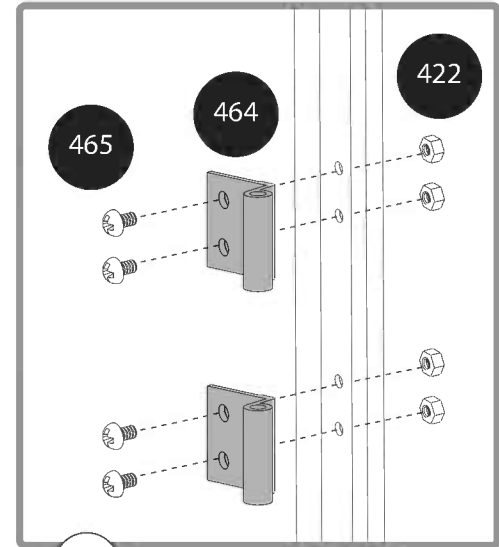
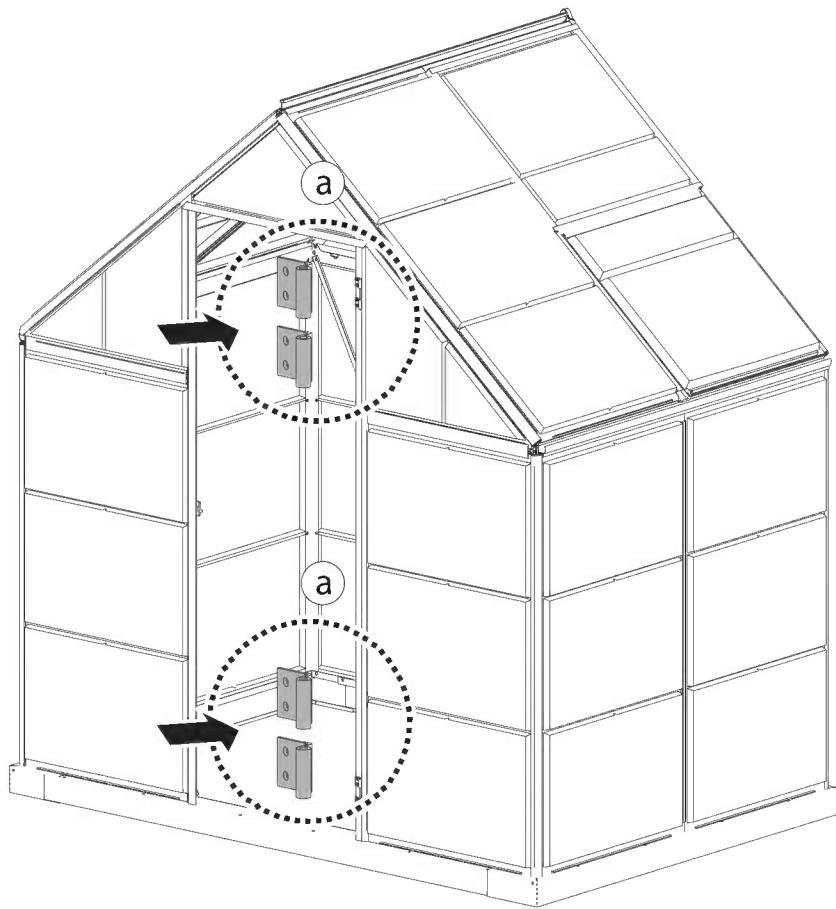
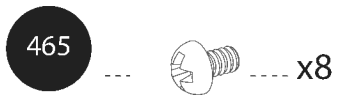
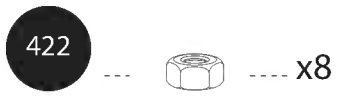
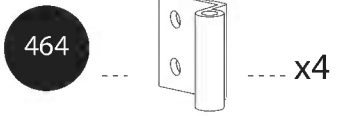
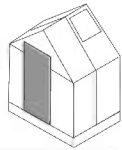
a

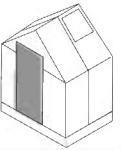


b









983 ..... x1

567 ..... x2

411 ..... x2

a

b

983

567

411

983

567

983

567

a

411

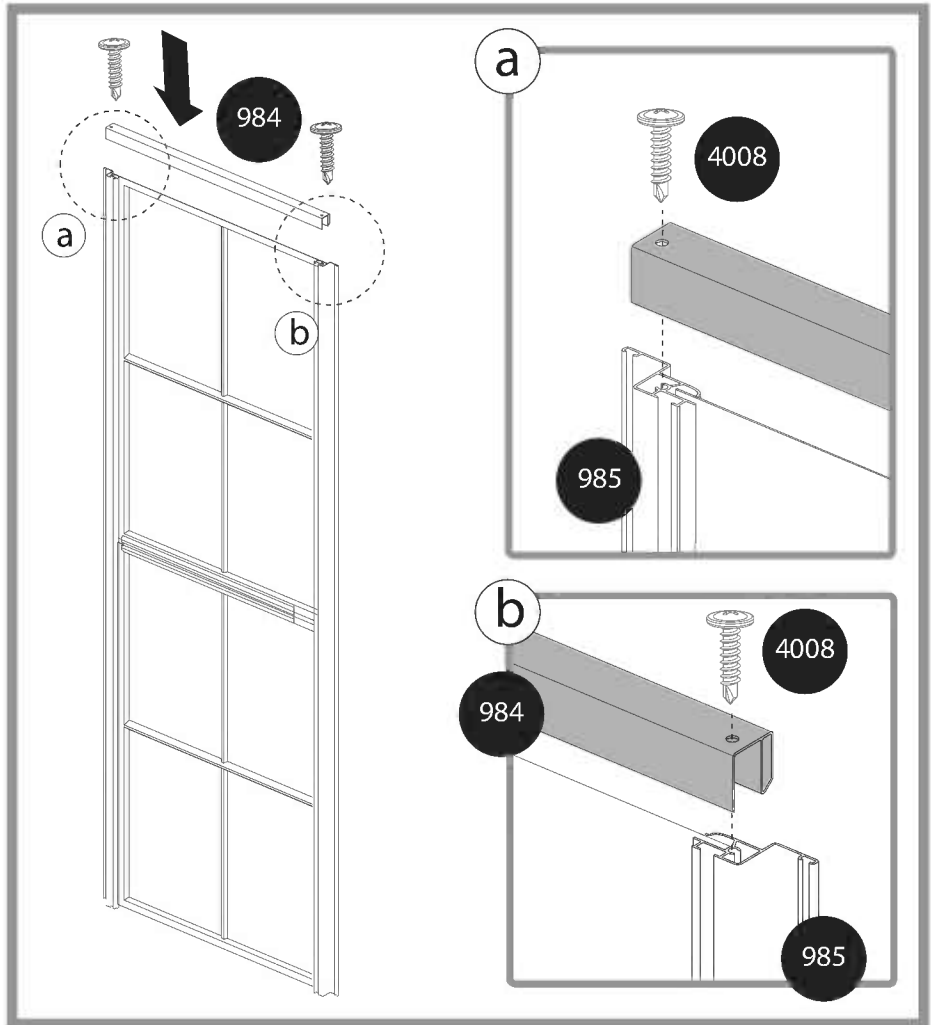
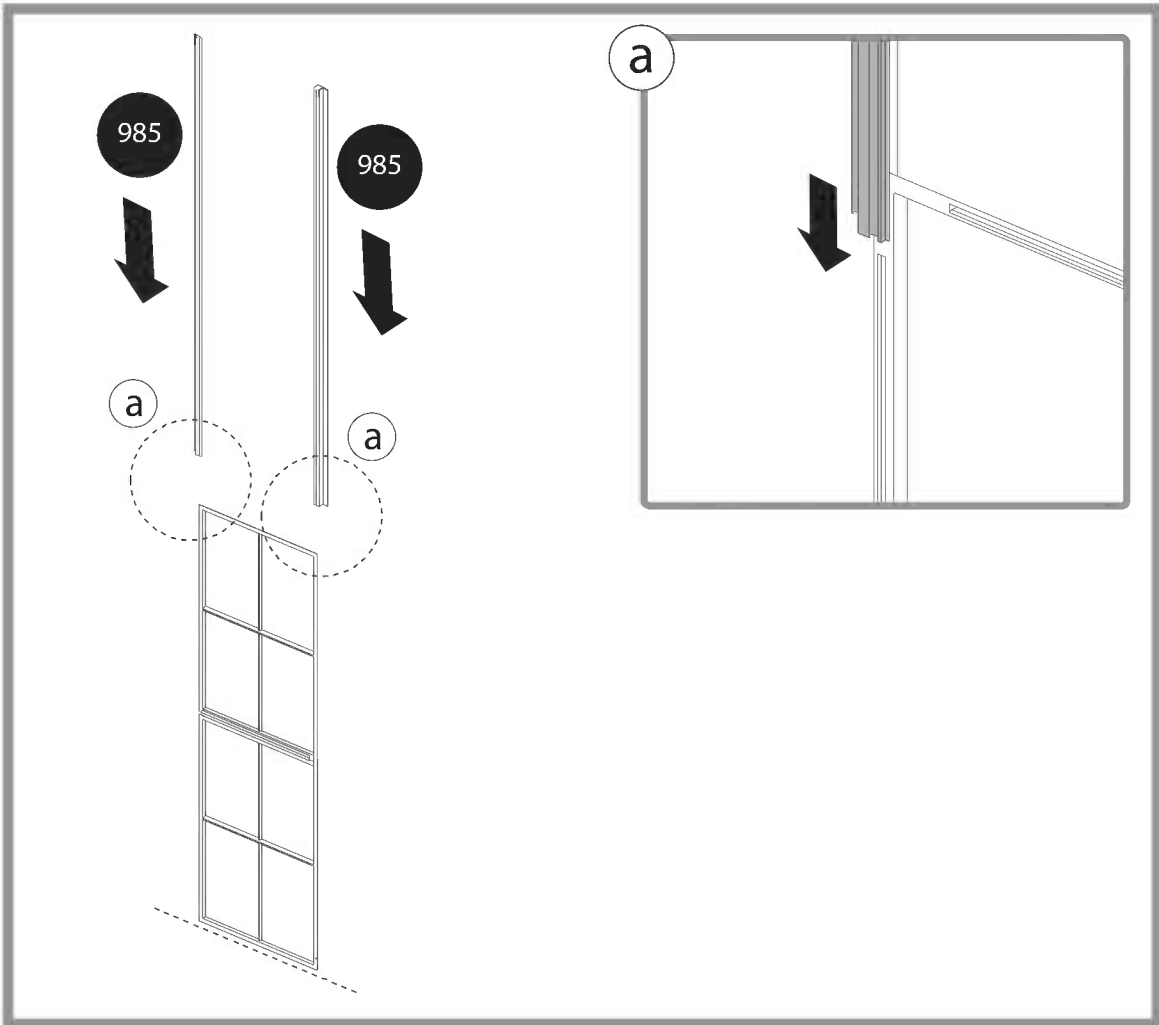
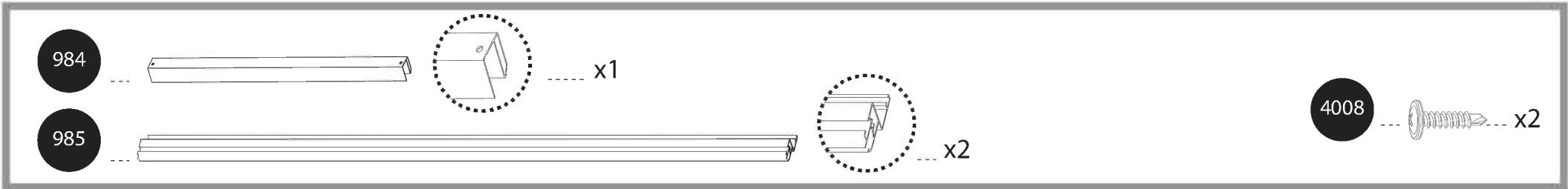
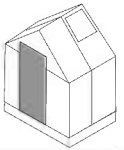
983

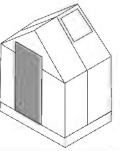
b

567

983

567





3016 ..... x1

8710 ..... x1

462 ..... x2

412 ..... x7

411 ..... x7

a

411 x6

b

411 x1

3016

412

462

8710

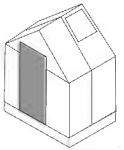
412

8710

412

462

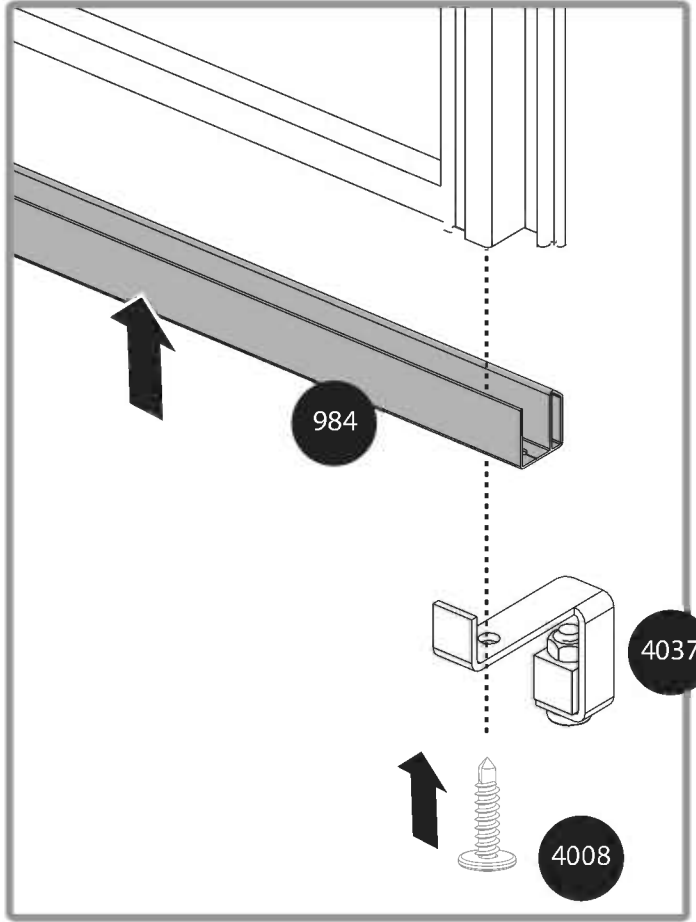
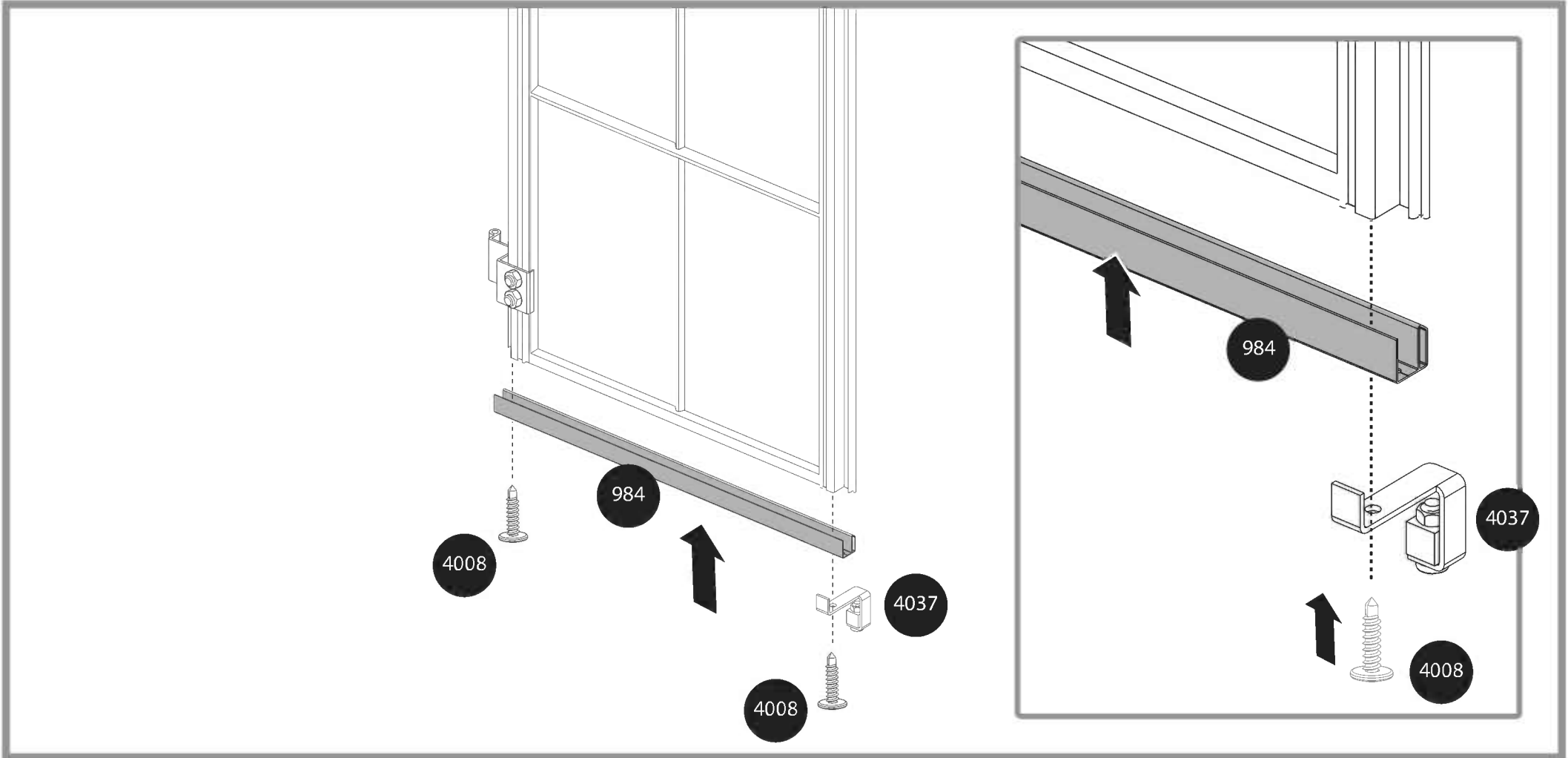


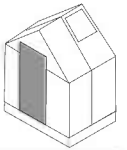


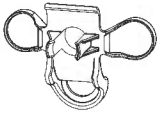
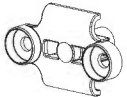
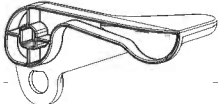
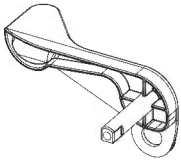



4008 .....x2

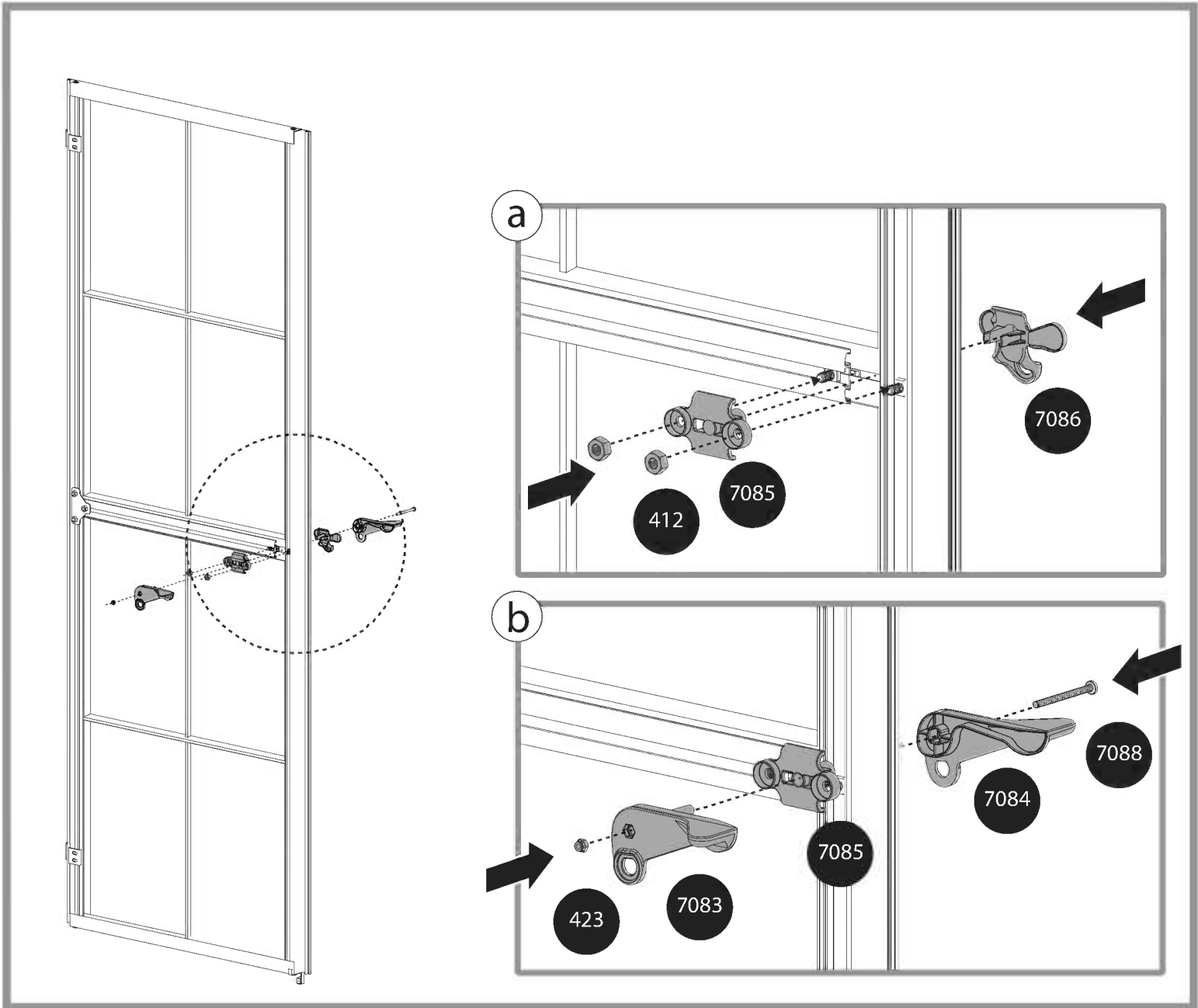
984 .....x1

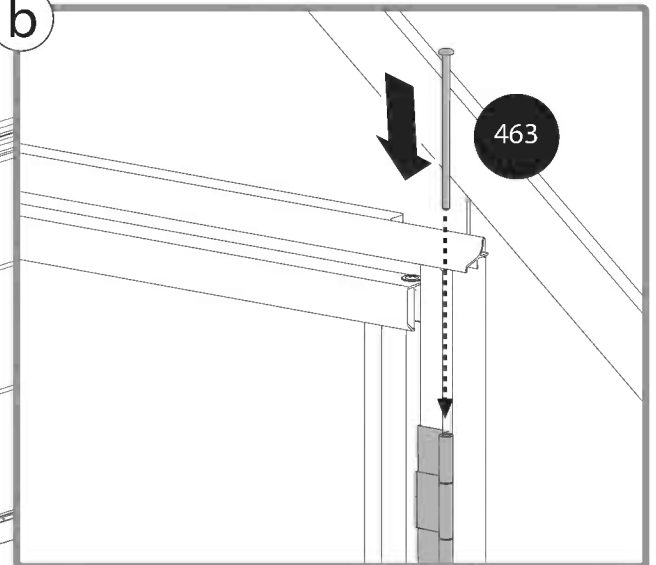
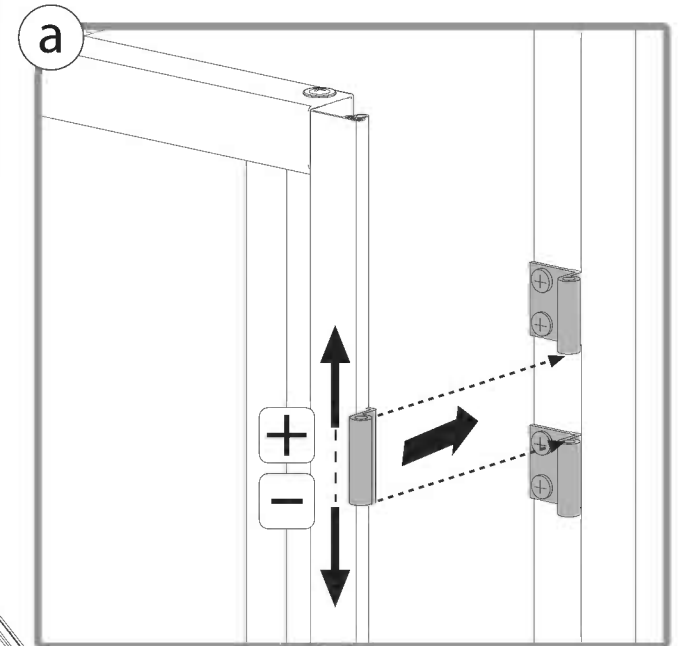
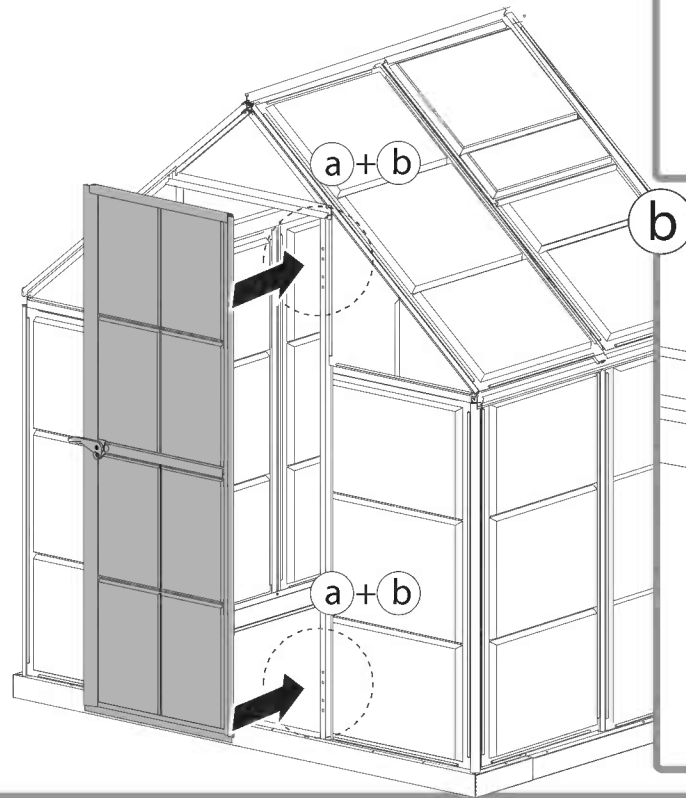
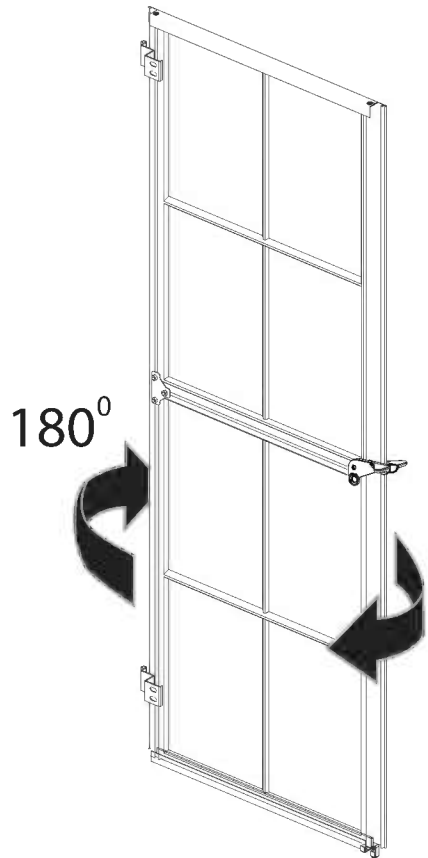
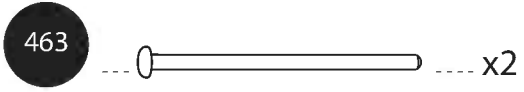
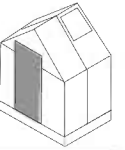
4037 .....x1

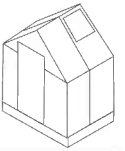




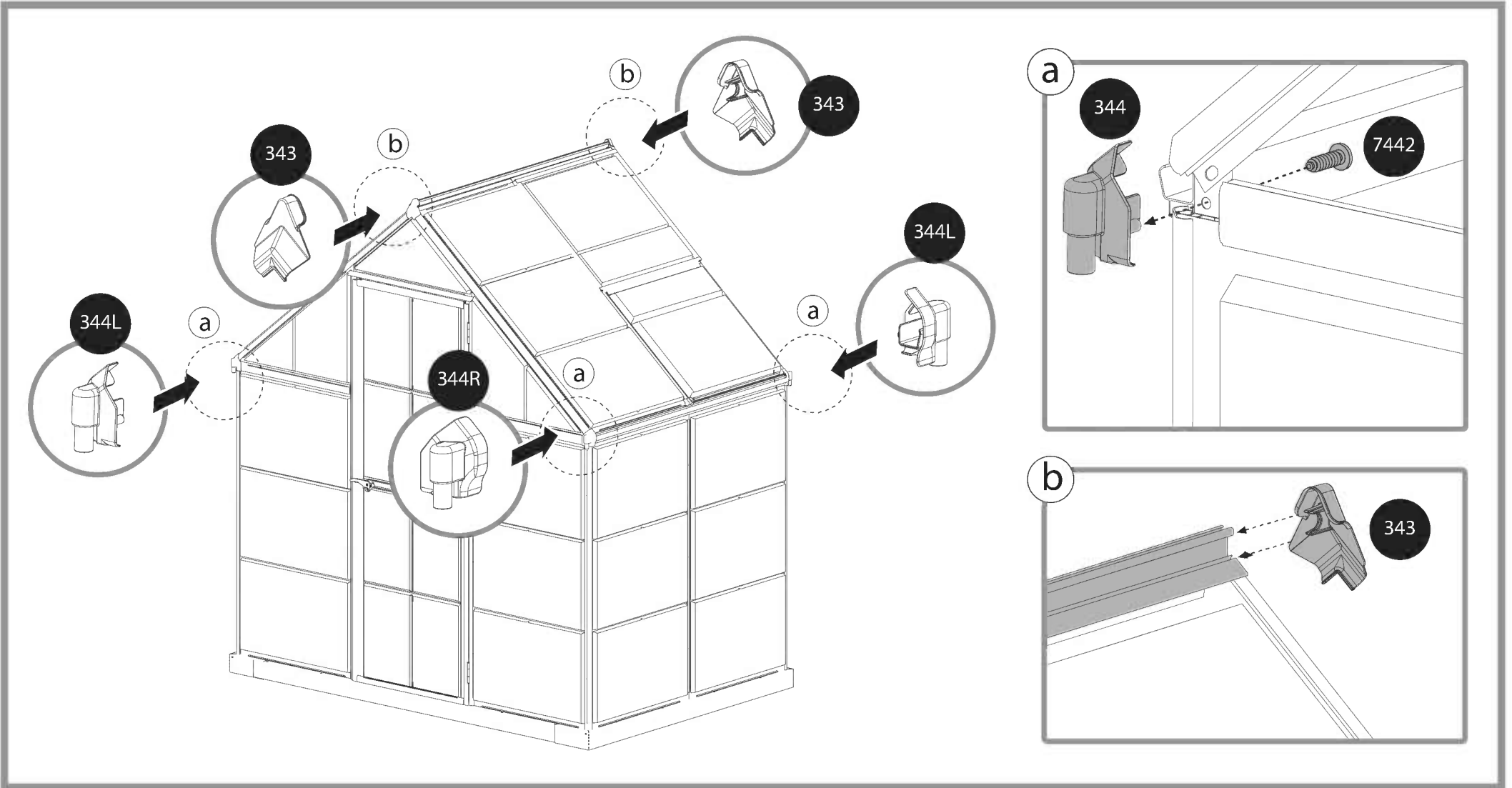
- 7086  x1
- 7085  x1
- 7084  x1
- 7083  x1
- 7088  x1  
M4 x 50mm
- 423  x1
- 412  x2







344L x2      344R x2      343 x2      7442 x4



Palram Applications (1995) Ltd (Company number: 512106824) whose registered office is at Teradion Industrial Park, M.P Misgav 20174, Israel ("Palram") warrants that the product will be free from defects in material or workmanship for a period of 5 years from the original date of purchase subject to the definitions, terms and conditions contained in this warranty.

## 1. Conditions

- This warranty shall be valid only if the product is installed, cleaned, handled and maintained in accordance with Palram's written recommendations (Recommended Use: Hobby Gardening).
- Without derogating from the above, damage caused by use of force, incorrect handling, inappropriate use, neglectful use or assembly or maintenance, accidents, impact from foreign objects, vandalism, pollutants, alteration, painting, connecting, gluing, sealing not in accordance with the user's manual, or damage resulting from cleaning with incompatible detergents and minor deviations of the product are not covered by this warranty.
- This warranty does not apply to damage resulting from "force majeure", which includes but is not limited to, hail, storm, tornado, hurricane, blizzard, flood, fire effects.
- This warranty is void if structural parts and components used are not compatible with Palram's written recommendations.
- This Warranty applies only to the original purchaser of the product. It does not extend to any other purchaser or user of the product (including, but not limited to, any person who acquires the product from the original purchaser).
- Any other use for any other purpose is under user's sole responsibility. Palram disclaims and assumes no liability for any use not recommended by this warranty.

## 2. Claims and Notifications

- Every warranty claim must be notified in writing to Palram within 30 days after the discovery of the defective product, enclosing the original sales receipt and this warranty.
- The claimant must allow Palram to inspect the product involved and the installation site itself while the product is still in its original position and has not been removed or moved or altered in any way and/or return the product to Palram for testing.
- Palram reserves the right to investigate independently the cause of any failure.

## 3. Compensation

- If a claim under this Warranty is properly notified and approved by Palram, the purchaser, at Palram's option, may either (a) purchase a replacement product or part/s; or (b) receive refund of the original product or part/s purchase price, all in accordance with the following schedule:

Period After Purchasing	Replacement Product or Part/s	Refund
From date of purchase up to end of 1 <sup>st</sup> year	Free of charge	100%
End of 1 <sup>st</sup> Year up to end of 2 <sup>nd</sup> year	purchaser will pay 20% of the original purchase price	80%
End of 2 <sup>nd</sup> year up to end of 3 <sup>rd</sup> year	purchaser will pay 40% of the original purchase price	60%
End of 3 <sup>rd</sup> year up to end of 4 <sup>th</sup> year	purchaser will pay 60% of the original purchase price	40%
End of 4 <sup>th</sup> year up to end of 5 <sup>th</sup> year	purchaser will pay 80% of the original purchase price	20%

- For avoidance of any doubt, calculation for determination regarding compensation for defective part/s, according to the schedule above, will be based on the contribution of the defective part to the original cost of the product. Palram reserves the right to provide substitutions if the product or any part of it is unavailable or obsolete.
- This warranty does not cover any costs and expenses of removal and installation of the product or taxes or shipping cost or any other direct or indirect loss(es) which may result from the product failure.

## 4. General Conditions and Limitations

- OTHER THAN HAS BEEN SPECIFICALLY STATED IN THIS WARRANTY, ALL OTHER WARRANTIES, WHETHER EXPRESS OR IMPLIED, INCLUDING ALL IMPLIED WARRANTIES OF MERCHANTABILITY OR FITNESS FOR A PARTICULAR PURPOSE ARE EXCLUDED SO FAR AS THE LAW PERMITS.
- EXCEPT WHERE WE HAVE SPECIFICALLY STATED IN THIS WARRANTY, PALRAM SHALL NOT BE LIABLE FOR ANY LOSSES OR DAMAGES THE PURCHASER SUFFERS DIRECTLY, INDIRECTLY, OR AS A CONSEQUENCE OF USING, OR IN ANY OTHER WAY CONNECTED TO THE PRODUCT.
- IF PALRAM IS PROHIBITED UNDER ANY APPLICABLE LAW FROM EXCLUDING THE IMPLIED WARRANTIES OF MERCHANTABILITY OR FITNESS FOR A PARTICULAR PURPOSE IN RELATION TO THE PRODUCT, THE DURATION OF ALL SUCH IMPLIED WARRANTIES IS EXPRESSLY LIMITED TO THE DURATION OF THIS WARRANTY OR, IF LONGER, THE MAXIMUM PERIOD REQUIRED BY APPLICABLE LAW.
- THE PURCHASER IS SOLELY RESPONSIBLE FOR DETERMINING WHETHER THE HANDLING, STORAGE, ASSEMBLY, INSTALLATION OR USE OF THE PRODUCT IS SAFE AND APPROPRIATE IN ANY LOCATION, FOR ANY GIVEN APPLICATION OR IN ANY GIVEN CIRCUMSTANCE. PALRAM IS NOT RESPONSIBLE FOR ANY DAMAGES OR INJURY TO THE PURCHASER, ANY OTHER PERSON OR ANY PROPERTY RESULTING FROM THE IMPROPER HANDLING, STORAGE, INSTALLATION, ASSEMBLY OR USE OF THE PRODUCT OR THE FAILURE TO FOLLOW THE WRITTEN INSTRUCTIONS REGARDING THE HANDLING, STORAGE, INSTALLATION, ASSEMBLY AND USE OF THE PRODUCT.
- UNLESS OTHERWISE EXPRESSLY INDICATED BY PALRAM, THE PRODUCT IS INTENDED FOR NORMAL RESIDENTIAL AND COMMERCIAL USE ONLY. PALRAM IS NOT RESPONSIBLE FOR ANY LOSS, DAMAGE, COST OR EXPENSE RESULTING FROM ANY USE OF THE PRODUCT FOR ANY PURPOSE THAT IS NOT RECOMMENDED BY THE WRITTEN INSTRUCTIONS OR THAT IS NOT PERMITTED BY ANY APPLICABLE LEGISLATION OR OTHER CODES IN EFFECT IN THE LOCATION WHERE THE PURCHASER WILL USE THE PRODUCT.
- PLEASE NOTE:** ANCHORING THIS PRODUCT TO THE GROUND IS ESSENTIAL TO ITS STABILITY AND RIGIDITY. IT IS REQUIRED TO COMPLETE THIS STAGE IN ORDER FOR YOUR WARRANTY TO BE VALID.

Palram Applications (1995) Ltd (Firmennummer: 512106824) mit Sitz in Teradion Industrial Park, M.P Misgav 20174, Israel („Palram“) garantiert, dass das Produkt für einen Zeitraum von 5 Jahren ab dem Kaufdatum frei von Mängeln in Material und Verarbeitung wird, und den Definitionen, Begriffen und Bedingungen die in dieser Garantie enthalten sind unterliegt.

## 1. Bedingungen

- Diese Garantie ist nur gültig, wenn das Produkt in Übereinstimmung mit den schriftlichen Empfehlungen von Palram installiert, gereinigt, behandelt und gepflegt ist (Empfohlene Verwendung: Hobby Gärtnerei).
- Ohne Abweichung von oben genannten, Schäden, die durch Anwendung von Gewalt, unsachgemäße Behandlung, unsachgemäße Verwendung, nachlässige Nutzung, Montage oder Wartung, Unfälle, Auswirkungen von Fremdkörpern, Vandalismus, Verschmutzung, Veränderung, Malerei, Verbinden, Kleben und Dichten, nicht in Übereinstimmung mit der Bedienungsanleitung, verursacht werden, oder Schäden, die bei Reinigung mit inkompatiblen Reinigungsmitteln entstehen, so wie geringfügige Abweichungen des Produkts, werden durch diese Garantie nicht abgedeckt.
- Diese Garantie gilt nicht für Schäden, die durch „höhere Gewalt“ verursacht werden (beinhaltend aber nicht beschränkt auf: Hagel, Sturm, Tornado, Hurrikan, Schneesturm, Überschwemmungen, Feuer Auswirkungen).
- Diese Garantie erlischt, falls Bauteile und Komponente, die nicht mit den schriftlichen Empfehlungen von Palram kompatibel sind, verwendet werden.
- Diese Garantie gilt ausschließlich für den ursprünglichen Käufer des Produkts. Sie erweitert sich nicht auf keine anderen Käufer oder Benutzer des Produkts (einschließlich, aber nicht beschränkt auf irgendeine andere Person die das Produkt von den ursprünglichen Käufer erwirbt).
- Jede andere Verwendung, für einen anderen Zweck liegt in der alleinigen Verantwortung des Benutzers. Palram lehnt jede Haftung ab, die von dieser Garantie nicht gedeckt wird, bzw. übernimmt keine Haftung dafür.

## 2. Ansprüche und Mitteilungen

- Jeder Gewährleistungsanspruch muss Palram innerhalb von 30 Tagen nach Entdeckung des fehlerhaften Produkts schriftlich vorgelegt werden. Hierzu reichen Sie bitte auch den Original-Kaufbeleg und diese Garantie mit ein.
- Der Antragsteller muss Palram erlauben den betroffenen Produkt und den Aufstellungsort selbst zu überprüfen, während das Produkt noch in seiner ursprünglichen Position ist und nicht entfernt oder verschoben oder in irgendeiner Weise verändert wurde, und/oder den Produkt an Palram zum Testen zu senden.
- Palram behält sich das Recht vor die Fehlerursachen unabhängig zu untersuchen.

## 3. Entschädigung

- Ist ein Anspruch gemäß dieser Garantie ordnungsgemäß angemeldet und bei Palram genehmigt worden, kann der Käufer, nach eigenem Ermessen von Palram, entweder (a) ein Ersatzprodukt oder Teile/e erwerben; oder (b) eine Erstattung des ursprünglichen Produkt oder Teile/e Kaufpreises erhalten, alles in Übereinstimmung mit dem folgendem Schema:

Zeitraum nach Erwerbung	Ersatzprodukt bzw. Ersatzteile/e	Rückerstattung
Ab Kaufdatum bis zum Ende des 1. Jahr	Kostenlos	100%
Ende des 1. Jahr bis zum Ende des 2. Jahr	Käufer zahlt 20% des ursprünglichen Kaufpreises	80%
Ende des 2. Jahr bis zum Ende des 3. Jahr	Käufer zahlt 40% des ursprünglichen Kaufpreises	60%
Ende des 3. Jahr bis zum Ende des 4. Jahr	Käufer zahlt 60% des ursprünglichen Kaufpreises	40%
Ende des 4. Jahr bis zum Ende des 5. Jahr	Käufer zahlt 80% des ursprünglichen Kaufpreises	20%

- Um jegliche Zweifel auszuschließen, wird sich die Berechnung für die Bestimmung über Entschädigungen für defekte Teile/e, entsprechend der obigen Schema, auf dem Beitrag des defekten Teils an den ursprünglichen Kosten des Produktes beruhen. Palram behält sich das Recht vor für ein Ersatz zu sorgen, falls der Produkt oder ein Teil davon nicht verfügbar oder veraltet ist.
- Diese Garantie erstreckt sich nicht auf Kosten und Ausgaben für Aus- und Einbau des Produkts oder Steuern oder Versandkosten oder sonstige direkte oder indirekte Verluste die sich von einem Produktfehler ergeben können.
- Allgemeine Bedingungen und Einschränkungen**
- ANDERS ALS BESONDERS IN DIESER GARANTIE ANGEGBEN, ALLE ANDEREN GARANTIE, OB AUSDRÜCKLICH ODER IMPLIZIT, EINSCHLIESSLICH ALLER EINGESCHLOSSENEN GARANTIELEISTUNGEN DER MARKTGÄNGIGKEIT ODER EIGNUNG FÜR EINEN BESTIMMTEN ZWECK SIND SO WEIT DIES RECHTLICH MÖGLICH IST AUSGESCHLOSSEN.
- AUSSER ALS AUSDRÜCKLICH IN DIESER GARANTIE ANGEGBEN, HAFTET PALRAM NICHT FÜR IRGENDWELCHE VERLUSTE ODER SCHÄDEN DIE DER KÄUFER, DIREKT ODER INDIREKT ODER ALS FOLGE DER NUTZUNG ODER IN IRGENDWELCHEN ANDEREN MIT DEM PRODUKT VERBUNDENEN WEISE LEIDET.
- FALLS PALRAM EIN AUSSCHLUSS DER STILLSCHWEIGENDEN GARANTIE DER MARKTGÄNGIGKEIT ODER EIGNUNG FÜR EINEN BESTIMMTEN ZWECK IN BEZUG AUF DAS PRODUKT NACH GELTENDEM RECHT NICHT GESTATTET IST, WIRD DIE DAUER ALLER SOLCHEN GARANTIE AUSDRÜCKLICH AUF DIE DAUER DIESER GARANTIE BESCHRÄNKT, ODER FALLS LÄNGER, AUF DIE GESETZLICH VORGESCHRIEBENE HÖCHSTDAUER.
- DER KÄUFER IST ALLEIN DAFÜR VERANTWORTLICH FESTZUSTELLEN, OB DIE HANDHABUNG, LAGERUNG, MONTAGE, INSTALLATION ODER VERWENDUNG DES PRODUKTS AN BELIEBIGEN STANDORT UND FÜR JEDE GEGEBENE ANWENDUNG ODER SITUATION, SICHER UND ANGEMESSEN IST. PALRAM IST NICHT VERANTWORTLICH FÜR SCHÄDEN ODER VERLETZUNGEN DES KÄUFERS, ANDERER PERSONEN ODER DES EIGENTUMS, DIE IN FOLGE EINER UNSACHGEMÄSSEN HANDHABUNG, LAGERUNG, EINBAU, MONTAGE ODER NUTZUNG DES PRODUKTS ODER DURCH NICHTBEACHTUNG DER ANWEISUNGEN ZUR HANDHABUNG, LAGERUNG, EINBAU, MONTAGE UND NUTZUNG DES PRODUKTES ENTSTANDEN SIND.
- DIE WARE IST BESTIMMT AUSSCHLIESSLICH ZUR NORMALEN PERSÖNLICHEN UND KOMMERZIELLEN NUTZUNG, SOFERN NICHT AUSDRÜCKLICH ETWAS ANDERES DURCH PALRAM VEREINBART WURDE. PALRAM HAFTET NICHT FÜR VERLUSTE, SCHÄDEN, KOSTEN ODER AUSGABEN, DIE AUS EINER NICHT VON DEN ANWEISUNGEN EMPFOHLENEN VERWENDUNG DES PRODUKTS ZU IRGEND EINEM ZWECK ENTSTEHEN ODER DIE VON KEINEM GELTENDEN RECHTSVORSCHRIFTEN ODER ANDEREN CODES ERLAUBT SIND DIE AN DEM ORT WO DER KÄUFER DEN PRODUKT BENUTZEN WIRD IN KRAFT SIND.
- DIE VERANKERUNG DIESER PRODUKTS IM UNTERGRUND IST WESENTLICH KIR SEINE STABILITÄT UND FESTIGKEIT. SIE IST UNABLASSLICH, URN DIESEN ARBEITSSCHRITT ZU BEENDEN, DAMIT IHRE GARANTIE GÜLTIG BLEIBT.

Palram Applications (1995) Ltd (Compagnie n° 512106824) dont le siège social est adressé au Parc Industriel Teradion, M.P. Misgav 2017400, Israël ("Palram") garantit que le Produit n'a aucun défaut de matériel ou de manufacture pour une période de 5 ans à dater de la date d'acquisition, conformément aux définitions et conditions incluses dans cette garantie.

## I. Garanties légales

### 1. Garantie de défaut caché

- Conformément à l'article 1641 du Code Civil, l'acheteur est en droit de mettre en œuvre la garantie pour vice caché dans un délai de 2 ans au plus tard à compter de la découverte du défaut.
- Afin de bénéficier de cette garantie contre les défauts cachés, l'acheteur doit fournir (i) une preuve d'achat, (ii) la preuve que le défaut du produit était caché et existant au moment de l'achat du produit, et (iii) qu'un tel défaut rend le produit impropre à l'usage auquel il est destiné ou qu'il altère tellement l'utilisation du produit que l'acheteur ne l'aurait pas acheté, ou aurait seulement payé un prix moindre pour cela, aurait il/ elle connu de tels défauts.
- Conformément à l'article 1644 du Code civil, l'acheteur a le choix entre retourner le produit aux frais de Palram et se faire rembourser le prix, ou garder le produit et se faire rembourser une partie du prix.

### 2. Garantie de conformité

- En application des articles L.217-4 et suivants, du Code de la consommation, le produit doit, au moment de la livraison, être conforme au contrat. Toute réclamation relative à un défaut de conformité du produit doit être présentée dans un délai de deux ans au plus tard à compter de la livraison du produit.
- Afin de bénéficier de cette garantie de conformité, l'acheteur doit fournir une preuve d'achat.
- En application de l'article L. 217-9 du Code de la consommation, en cas de défaut de conformité du produit, l'acheteur peut choisir entre la réparation et le remplacement du produit.. Palram peut néanmoins choisir de ne pas procéder conformément au choix de l'acheteur si ce choix entraîne un coût manifestement disproportionné par rapport à l'autre option, compte tenu de la valeur du produit ou de la gravité du défaut. Palram procéderait alors avec l'option non choisie par l'acheteur, à moins que cela s'avère impossible.
- Si aucune réparation ou remplacement du produit n'est possible, l'acheteur peut retourner le produit et obtenir le remboursement du prix ou garder le produit et obtenir le remboursement d'une partie du prix. La même option s'appliquerait également (i) si la solution demandée, proposée ou convenue conformément à l'article 1.3 ne peut être mise en œuvre dans le mois suivant la demande de l'acheteur, ou (ii) si cette solution ne peut être mise en œuvre sans inconvénient majeur pour l'acheteur compte tenu de la nature du produit et de son usage prévu.  
La vente ne sera toutefois pas annulée si le défaut de conformité est mineur.  
Ces garanties légales s'appliquent quelle que soit la garantie commerciale définie ci-dessous.

## II. Garantie commerciale

### 1. Conditions

- Cette garantie ne sera valide que si le produit est installé, nettoyé, manipulé et entretenu conformément aux recommandations écrites de Palram (Utilisation recommandée: Jardinage amateur).
- Sans déroger de ce qui est susdit, tout dommage causé par usage de la force, une mauvaise manipulation, un usage inapproprié, une utilisation, un montage ou une maintenance négligente, des accidents, un impact avec d'autres objets étrangers, du vandalisme, des polluants, un dégât, une peinture, connexion, collage, scellage qui n'est pas conforme avec le manuel de l'utilisateur ou tout dommage résultant de son nettoyage avec un détergent incompatible et les moindres déviations du produit ne sont pas couverts par cette garantie.
- Cette garantie ne s'applique pas aux dommages résultant d'un acte de force majeure, qui comprend mais n'est pas limité par la grêle, la tempête, une tornade, un ouragan, un blizzard, une inondation ou les effets d'un incendie.
- Cette garantie est nulle si des parties de la structure et des composants ne sont pas compatibles avec les recommandations écrites par Palram.
- Cette garantie ne s'applique qu'à l'acheteur d'origine du produit. Elle ne s'étend pas à tout autre acquéreur ou utilisateur du produit (y compris mais non limité à toute personne qui acquerrait le produit de son acquéreur d'origine).
- Toute autre utilisation à d'autres fins est sous la seule responsabilité de l'utilisateur. Palram décline et n'assume aucune responsabilité pour toute utilisation non recommandée par cette garantie.

### 2. Réclamations et notifications

- Toute réclamation de garantie (autre que les garanties légales énoncées dans la section I. ci-dessus) doit être notifiée par écrit à Palram dans les 30 jours suivant la découverte du produit défectueux, en joignant le reçu original et cette garantie.
- Le demandeur doit permettre à Palram d'inspecter le produit impliqué et le site d'installation lorsque le produit est dans son emplacement d'origine et n'a pas été enlevé ou déplacé ni modifié de quelque façon et/ou envoyer le produit à Palram pour vérification (les taxes et frais de ports n'étant pas à la charge du client).
- Palram se réserve le droit d'enquêter indépendamment sur la cause de toute panne.

## 3. Compensation

- Si une réclamation sous cette Garantie est convenablement notifiée et approuvée par Palram, l'acheteur, au choix de Palram, peut soit (a) acquérir un Produit de remplacement ou les pièces détachées nécessaires; ou (b) recevoir un remboursement du prix d'achat du Produit d'origine:

Période depuis l'achat	Produit de remplacement ou partie	Remboursement
Jusqu'à un an après l'achat	Gratuit	100%
De la fin de la 1 <sup>ère</sup> année à la fin de la 2 <sup>nde</sup>	L'acquéreur paiera 20% du prix d'achat d'origine	80%
De la fin de la 2 <sup>nde</sup> année à la fin de la 3 <sup>ème</sup>	L'acquéreur paiera 40% du prix d'achat d'origine	60%
De la fin de la 3 <sup>ème</sup> année à la fin de la 4 <sup>ème</sup>	L'acquéreur paiera 60% du prix d'achat d'origine	40%
De la fin de la 4 <sup>ème</sup> année à la fin de la 5 <sup>ème</sup>	L'acquéreur paiera 80% du prix d'achat d'origine	20%

## 4. Conditions générales et limitations

- MIS A PART CE QUI A ETE SPECIFIQUEMENT INDIQUE DANS CETTE GARANTIE, TOUTES LES AUTRES GARANTIES, EXPRESSES OU SOUS-ENTENDUES, Y COMPRIS TOUTES LES GARANTIES SOUS-ENTENDUES DE VALEUR MARCHANDE OU D'ADAPTABILITE POUR UN OBJECTIF PARTICULIER SONT EXCLUES POUR AUTANT QUE LA LOI LE PERMET.
- MIS A PART LA OU NOUS L'AVONS SPECIFIQUEMENT DECLARE DANS CETTE GARANTIE, PALRAM N'EST PAS RESPONSABLE DE TOUTE PERTE OU DOMMAGE DONT L'ACQUEREUR SOUFFRIRAIT, DIRECTEMENT, INDIRECTEMENT OU EN CONSEQUENCE DE L'UTILISATION DU PRODUIT OU DE TOUTE AUTRE MANIERE LIEE AU PRODUIT.
- SI PALRAM N'A PAS LE DROIT SELON LA MOINDRE LOI APPLICABLE D'EXCLURE LES GARANTIES SOUS-ENTENDUES DE VALEUR MARCHANDE OU D'ADAPTABILITE A UNE FIN SPECIFIQUE EN RAPPORT AVEC LE PRODUIT, LA DUREE D'UNE TELLE GARANTIE EST EXPRESSEMENT LIMITEE A CELLE DE CETTE GARANTIE OU, SI ELLE EST PLUS LONGUE, A LA PERIODE MAXIMALE EXIGEE PAR LA LOI.
- L'ACHETEUR EST LE SEUL RESPONSABLE DANS LA DETERMINATION SI LA MANIPULATION, LE STOCKAGE, LE MONTAGE, L'INSTALLATION OU L'UTILISATION DU PRODUIT EST SURE ET APPROPRIEE POUR TOUT ENDROIT, POUR TOUTE APPLICATION DONNEE OU DANS TOUTE CIRCONSTANCE DONNEE. PALRAM N'EST PAS RESPONSABLE DE TOUT DOMMAGE OU BLESSURE CAUSE A L'ACHETEUR, TOUTE AUTRE PERSONNE OU BIEN RESULTANT D'UNE MANIPULATION, UN STOCKAGE, UNE INSTALLATION, UN MONTAGE OU UNE UTILISATION DU PRODUIT OU UN MANQUE A SUIVRE LES INSTRUCTIONS ECRITES CONCERNANT LA MANIPULATION, LE STOCKAGE, LE MONTAGE, L'INSTALLATION OU L'UTILISATION DU PRODUIT.
- SAUF DISPOSITION CONTRAIRE EXPRESSÉMENT INDIQUÉE PAR PALRAM, LE PRODUIT EST DESTINÉ UNIQUEMENT À DES USAGES RÉSIDENTIELS ET COMMERCIAUX NORMAUX. PALRAM N'EST PAS RESPONSABLE DE TOUTE PERTE, DOMMAGE, FRAIS OU DEPENSE RESULTANT D'UNE UTILISATION DU PRODUIT POUR TOUTE FIN QUI N'EST PAS RECOMMANDÉE PAR LES INSTRUCTIONS ECRITES OU QUI N'EST PAS PERMISE PAR LA MOINDRE LOI OU AUTRES CODES APPLICABLES DANS L'ENDROIT OU L'ACQUEREUR UTILISERAIT LE PRODUIT.
- CETTE ETAPE D'ANCRAGE DU PRODUIT AU SOL EST ESSENTIELLE A SA STABILITE ET A SA RIGIDITE, ELLE EST DE PLUS NECESSAIRE POUR ASSURER LA VALIDITE DE VOTRE GARANTIE..

## ES Garantía limitada de 5 años de PALRAM - CANOPIA Angaben zum Produkt: Canopia Invernaderos

Palram Applications (1995) Ltd (Número de la compañía: 512106824) cuya oficina registrada se encuentra en Teradion Industrial Park, M.P Misgav 20174, Israel ("Palram") garantiza que el Producto no tendrá defectos de material o de fabricación durante un periodo de 5 años desde la fecha de compra original sujeto a las definiciones, términos y condiciones contenidos en esta garantía.

- Condiciones**
- Esta garantía solo será válida si el Producto es instalado, limpiado, manipulado y mantenido de acuerdo a las recomendaciones por escrito de Palram (Uso recomendado: jardinería privada).
- Sin derogar lo anterior, los daños causados por el uso de la fuerza, manipulación incorrecta, uso inapropiado, uso o montaje o mantenimiento negligentes, accidentes, impacto de objetos extraños, vandalismo, contaminantes, alteración, pintado, conexión, pegado, sellado no de acuerdo al manual del usuario, o daños resultantes de la limpieza con detergentes incompatibles y desviaciones menores del Producto no están cubiertos por esta garantía.
- Esta garantía no se aplica a daños resultantes de “fuerza mayor”, que incluye entre otros, granizo, tormenta, tornado, huracán, ventisca, inundación, efectos del fuego.
- Esta garantía es nula si los componentes o piezas estructurales utilizados no son compatibles con las recomendaciones escritas de Palram.
- Esta garantía se aplica solamente al comprador normal del Producto. No se extiende a cualquier otro comprador o usuario del Producto (incluyendo, entre otros, cualquier persona que adquiera el Producto desde el comprador original).
- La utilización para cualquier otro fin es de la exclusiva responsabilidad del usuario. Palram rechaza y no asume ninguna responsabilidad por cualquier uso que no esté contemplado en esta garantía.

### 2. Reclamaciones y notificaciones

- Toda reclamación de la garantía debe ser notificada por escrito a Palram lo antes que sea posible razonablemente después de descubrir el Producto defectuoso, adjuntando el tique de venta original y esta garantía.
- El reclamante debe permitir a Palram inspeccionar el Producto pertinente y el sitio de la instalación en sí mismo mientras el Producto está todavía en su posición original y no se ha retirado ni movido o alterado de ningún modo y/o devolver el Producto a Palram para evaluarlo.
- Palram se reserva el derecho a investigar la causa de cualquier fallo de forma independiente.

### 3. Compensación

3.1 Si una reclamación bajo esta Garantía se notifica apropiadamente y es aprobada por Palram, el comprador, según considere Palram, puede o bien (a) comprar un Producto o piezas de recambio; o (b) recibir el reembolso del precio de compra del Producto o la pieza o piezas, todo de acuerdo al siguiente calendario:

<b>El periodo tras la compra</b>	<b>Reembolso del Producto o Pieza /s</b>	<b>Recambio Según</b>
Desde la fecha de compra hasta el final del primer año	Sin costes	100%
Fin del 1.er año hasta el final del 2.º año	El comprador pagará el 20 <span> </span> % del precio original de compra	80%
Fin del 2.º año hasta el final del 3.er año	El comprador pagará el 40 <span> </span> % del precio original de compra	60%
Fin del 3.er año hasta el final del 4.º año	El comprador pagará el 60 <span> </span> % del precio original de compra	40%
Fin del 4.º año hasta el final del 5.º año	El comprador pagará el 80 <span> </span> % del precio original de compra	20%

- Para evitar cualquier duda, el cálculo de la determinación de la compensación por piezas defectuosas, según el calendario de arriba, se basará en la contribución de la pieza defectuosa al coste original del Producto. Palram se reserva el derecho de proporcionar sustituciones si el Producto o cualquier pieza del mismo no está disponible o es obsoleta.
- Esta garantía no cubre ningún coste ni gasto de la retirada e instalación del Producto o impuestos o gastos de envío ni cualquier otra pérdidaa directa o indirecta que pueda resultar del defecto del Producto.

### 4. Condiciones generales y limitaciones

- APARTE DE LO QUE SE HA AFIRMADO ESPECÍFICAMENTE EN ESTA GARANTÍA, TODAS LAS DEMÁS GARANTÍAS, TANTO EXPRESAS COMO IMPLÍCITAS, INCLUYENDO TODAS LAS GARANTÍAS IMPLÍCITAS DE COMERCIABILIDAD O IDONEIDAD PARA UN PROPÓSITO EN PARTICULAR SE EXCLUYEN EN LA EXTENSIÓN EN QUE LO PERMITA LA LEY.
- EXCEPTO DONDE LO HAYAMOS DECLARADO ESPECÍFICAMENTE EN ESTA GARANTÍA, PALRAM NO SERÁ RESPONSABLE DE CUALQUIER PÉRDIDA O DAÑOS QUE SUFRA EL COMPRADOR DIRECTAMENTE, INDIRECTAMENTE O COMO CONSECUENCIA DE UTILIZAR EL PRODUCTO O EN CONEXIÓN DE CUALQUIER MODO CON EL MISMO.
- SI SE PROHÍBE A PALRAM, BAJO CUALQUIER LEY APLICABLE, EXCLUIR LAS GARANTÍAS IMPLÍCIAS DE COMERCIABILIDAD O IDONEIDAD PARA UN PROPÓSITO EN PARTICULAR CON RELACIÓN AL PRODUCTO, LA DURACIÓN DE DICHAS GARANTÍAS IMPLÍCITAS SE LIMITA EXPRESAMENTE A LA DURACIÓN DE ESTA GARANTÍA, O SI ES MÁS TIEMPO, EL PERIODO MÁXIMO REQUERIDO POR LA LEY APLICABLE.
- EL COMPRADOR ES RESPONSABLE ÚNICAMENTE DE DETERMINAR SI LA MANIPULACIÓN, ALMACENAMIENTO, MONTAJE, INSTALACIÓN O USO DEL PRODUCTO ES SEGURO Y APROPIADO EN CUALQUIER UBICACIÓN, PARA CUALQUIER APLICACIÓN DADA O EN CUALQUIER CIRCUNSTANCIA DADA. PALRAM NO ES RESPONSABLE POR CUALQUIER DAÑO O LESIÓN DEL COMPRADOR, CUALQUIER OTRA PERSONA O CUALQUIER PROPIEDAD QUE RESULTE DE LA MANIPULACIÓN, ALMACENAMIENTO, INSTALACIÓN, MONTAJE O USO INADECUADOS DEL PRODUCTO O NO SEGUIR LAS INSTRUCCIONES ESCRITAS ACERCA DE LA MANIPULACIÓN, ALMACENAMIENTO, INSTALACIÓN, MONTAJE Y USO DEL PRODUCTO.
- A MENOS QUE SE INDIQUE EXPRESAMENTE LO CONTRARIO POR PALRAM, EL PRODUCTO ESTÁ PREVISTO SOLO PARA USO RESIDENCIAL Y COMERCIAL. PALRAM NO ES RESPONSABLE POR NINGUNA PÉRDIDA, DAÑO, COSTE O GASTO RESULTANTE DE CUALQUIER USO DEL PRODUCTO PARA CUALQUIER PROPÓSITO QUE NO ESTÉ RECOMENDADO POR LAS INSTRUCCIONES ESCRITAS O QUE NO ESTÉ PERMITIDO POR CUALQUIER LEGISLACIÓN APLICABLE U OTROS CÓDIGOS EN VIGOR EN LA UBICACIÓN DONDE USARÁ EL PRODUCTO EL COMPRADOR.
- ANCLAR ESTE PRODUCTO AL SUELO ES ESENCIAL PARA SU ESTABILIDAD Y RIGIDEZ. ES NECESARIO COMPLETAR ESTA FASE PARA QUE SU GARANTIA SEA VALIDA.

## HE אחריות מוגבלת ל-5 שנים של PALRAM - CANOPIA מוצר: חממות CANOPIA

פלרם אפליקציות (1995) בע"מ (פ. 512106824), אשר משרדיה נמצאים בפקארק תעשיות תרדיון, ד.ו. 2017400, ישראל ("פלרם") תהא אחראית לטיפול בפגמים בלתי צפויים שמקורם בחומרים ובטיב העבודה למשך 5 שנים מתאריך הרכישה המקורי, בכפוף להגדרות, התנאים וההתניות הכלולים בכתב אחריות זה. פלרם שמרת לעצמה הזכות לשנות את מגוון המוצרים שברשותה, או חלקי החילוף שלהם, או להוציאם מהמגוון.

### תנאים

- אחריות זו תהא תקפה רק אם המוצר הותקן, מנוקה, מטופל ומתוחזק בהתאם להמלצות הכתובות של פלרם (שימוש מומלץ: חממת גינון).
- בלי לפגוע או להפחית מערך האמור לעיל, נזק אשר נגרם עקב שימוש בכוז, טיפול שגוי, שימוש שאינו הולם, שימוש, הרכבה, או תחזוקה רשלניים, תאונות, מכה מעצמים זרים, ונדליזם, חומרים מזדהמים, שינוי, צביעה, חיבור, הדבקה או נזק אשר נגרם עקב ניקוי באמצעות חומרי ניקוי שאינם מתאימים, וסתימת קטנות במוצר, אינם מוכסים על ידי כתב אחריות זה.

### למען הסר ספק, האחריות כפופה לתנאים הבאים:

- הפגם לא נגרם כתוצאה משימוש שאינו הולם או משימוש, הרכבה או תחזוקה רשלניים, תאונות או מכה מעצמים זרים.
- הפגם לא נגרם בודון או ברשלנות חמורה.
- השימוש במוצר או בחלקיו היה סביר ורגיל ונעשה בהתאם להוראות פלרם.
- הפגם אינו נובע מבלאי סביר עקב שימוש רגיל
- לא נעשה ניסיון לתיקון הפגם על ידי גורם כלשהו מלבד נציג מוסמך מטעם פלרם או בהתאם להוראות פלרם.
- הפגם לא נגרם כתוצאה משימוש בחומר לא מתאים, חומר מזרחם, צביעה, הדבקה, נזק שנגרם כתוצאה משימוש בחומרי ניקוי שאינם מתאימים.
- במוצרים להרכבה עצמית - הפגם לא נגרם במהלך הרכבת המוצר או כתוצאה מהרכבה לא נכונה.
- הפגם לא נגרם במהלך הובלה עצמית של המוצר.
- הפגם לא נגרם כתוצאה משינוי שנעשה במוצר.
- הפגם אינו נגרם כתוצאה ממוח עליון לרבות אך לא רק סופות רוח, ברד, טורנדו, הוריקן, סופות שלג, הצפות, שריפות ונזקי שמש

- אחריות זו בטלה אם רכיבים וחלקים קונסטרוקטיביים כלשהם שנעשה בהם שימוש אינם תואמים את המלצות הכתובות של פלרם.
- כתב אחריות זה חל רק על הקונה המקורי של המוצר. הוא אינו עובר אל קונים או משתמשים אחרים במוצר (לרבות אך לא מוגבל לכל אדם אשר רוכש או מקבל את המוצר לרשותו מידי הקונה המקורי).

- פלרם אינה אחראית לכל שימוש אחר שאינו מוגדר באחריות זו.

### 2. תביעות והודעות

- יש להודיע בכתב על כל פנייה במסגרת כתב האחריות תוך 30 יום ממועד גילוי הפגם במוצר, בצירוף קבלת הרכישה המקורית וכתב אחריות זה ("להלן: "פנייה במסגרת כתב האחריות").
- החובע חייב לאפשר לפלרם לבדוק את המוצר האמור ואת אתר ההתקנה עצמו כאשר המוצר נמצא עדיין במיקומו המקורי, ולא הוסר או הוזז ממקומו או שונה באופן כלשהו, ו/או להחזיר את המוצר לפלרם לצורך בדיקתו.

- פלרם שמרת לעצמה את הזכות לתקור באופן עצמאי את הגורם לכל כשל או תקלה.

### 3. תשלום

- אם פנייה במסגרת כתב האחריות נמסרה כהלכה לפלרם ואשרה על ידה, הקונה רשאי, לפי בחירת פלרם, (א) לרכוש מוצר חלופי או חלפים, או (ב) לקבל חזרה תמורת המוצר המקורי או מחיר הקנייה של החלפים, וכל זאת בהתאם לאמור בפירוט הבא:

<b>תקופה שלאחר הרכישה</b>	<b>מוצר חלופי או חלפים</b>	<b>החזר</b>
<b>מתאריך הרכישה ועד לסוף השנה הראשונה</b>	בחינם (ללא עלות)	100%
<b>מסוף השנה הראשונה ועד לסוף השנה השנייה</b>	הקונה ישלם 20% ממחיר הרכישה המקורי	80%
<b>מסוף השנה השנייה ועד לסוף השנה השלישית</b>	הקונה ישלם 40% ממחיר הרכישה המקורי	60%
<b>מסוף השנה השלישית ועד לסוף השנה הרביעית</b>	הקונה ישלם 60% ממחיר הרכישה המקורי	40%
<b>מסוף השנה הרביעית ועד לסוף השנה החמישית</b>	הקונה ישלם 80% ממחיר הרכישה המקורי	20%

- למען הסר ספק, החישוב לקביעת התשלום המגיע לקונה תמורת חלקים פגומים, בהתאם לפירוט שצוין לעיל, יתבסס על חלקו של החלק הפגום בעלות המקורית של המוצר. פלרם שמורת לעצמה את הזכות לספק תחלפים במקרה שהמוצר או חלק כלשהו ממנו אינם זמינים או מיושגים.
- כתב אחריות זה אינו מכסה עלויות הוצאות כלשהן עקב הסרה והתקנה של המוצר, וכן מסיס ועלויות משלוח או יכל הפסד ישיר או עקף אשר עשוי להיגרם עקב הפשל או התקלה במוצר.
- תנאים כלליים והגבלות**

- פרט למה שצוין במפורש בכתב אחריות זה, כל ההתחייבויות האחרות, בין אם מפורשות ובין אם משתמעות, לרבות כל ההתחייבויות המשתמעות לסחירת או התאמה לשימוש ספציפי, אינן כלולות בכתב אחריות זה ככל שמתיר החוק.
- למעט היכן שציינו זאת במפורש בכתב אחריות זה, פלרם לא תישא באחריות להפסדים או נזקים כלשהם לקונה, בין אם ישירים, בין אם עקיפים ובין אם כתוצאה מהשימוש במוצר, ובכל אופן אחר שקשור למוצר.
- אם החוק החל אוסר על פלרם לשלול התחייבות משתמעת לסחירת או התאמה לשימוש ספציפי הנוגעות למוצר, משך ההתחייבות המשתמעת האמורה יוגבל באופן מפורש למשך האחריות המוגדר בכתב אחריות זה, או אם הוא ארוך יותר, למשך התקופה המרבית הנדרשת על פי חוק.
- הקונה נושא באחריות בעדית ליציבע הטיפול, האחסון, ההרכבה, ההתקנה והשימוש במוצר באופן בטוח והולם בכל מיקום שהוא, עבור כל יישום נתון ובכל נסיבה נתונה. פלרם אינה נושאת באחריות לנזקים כלשהם או פגיעה כלשהי לקונה, לאדם אחר כלשהו ולרכוש כלשהו, אשר נגרמו עקב טיפול, אחסון, התקנה, הרכבה ושימוש שאינם הולמים, וכן מאי ביצוע ההוראות הכתובות בנוגע לטיפול, אחסון, התקנה, הרכבה ושימוש במוצר.
- אלא אם כן צוין אחרת באופן מפורש על ידי פלרם, המוצר מיועד לשימוש ביתי ומסחרי רגיל בלבד. פלרם לא תישא באחריות להפסד, נזק, עלות או הוצאה כלשהם אשר נגרמו עקב שימוש כלשהו במוצר למטרה שאינה מומלצת על ידי ההוראות הכתובות, או למטרה שאסורה על פי חוק או דין ישים כלשהו אשר תקפים במיקום בו הקונה מתכוון להשתמש במוצר. עיגון המוצר לקרקע חיוני ליציבות ועמידותו. חוקף אחריות המוצר תלוי בהשלמת העיגון לקרקע.

Palram Applications (1995) Ltd (Bolagsnummer: 512106824) vars registrerade huvudkontor har adressen: Teradion Industrial Park, M.P Misgav 20174, Israel ("Palram") garanterar att produkten är felfri avseende material och bearbetning under en period av 5 år från inköpsdagen i enlighet med definitionerna och villkoren i denna garanti.

#### 1. Villkor

1.1 Denna garanti gäller endast produkter som installerats, sköts, underhållits och hållits rena enligt anvisningarna i Palrams handbok (Rekommenderad användning: trädgårdsskötsel).

1.2 Ovan nämnda garanti gäller inte vid skador till följd av alltför kraftig användning, fel eller olämplig användning, vårdslös installering, vårdslöst bruk eller underhåll, missöden, skador som främmande föremål gett upphov till, skadegörelse, smuts, förändringar, målning, fogar, limning, tejpning, olämpliga tätningar eller skador som uppkommit på grund av olämpliga rengöringsmedel. Små avvikelser omfattas inte av garantin.

1.3 Garantin täcker inte naturfenomen eller skador orsakade av dessa, såsom hagel, tung snö, storm, virvelvindar, orkaner, blixtar, vind eller översvämningar.

1.4 Garantin gäller inte om man för växuset använder olämpliga byggsatser eller komponenter som inte rekommenderas av tillverkaren (Palram).

1.5 Garantin gäller endast den ursprungliga köparen/mottagaren. Garantin kan inte överföras till följande ägare eller en annan användare. taikka seuraaville omistajille.

1.6 All annan användning för några andra syften vilar helt på användarens ansvar. Palram fransäger sig allt ansvar för all annan användning än vad som rekommenderas i denna garanti.

#### 2. Reklamationer och anmålningar

2.1 Varje garantianspråk måste underrättas skriftligen till Palram inom 30 dagar efter upptäckten av en defekt produkt, innehållande originalkvittot för försäljningen och den här garantin.

2.2 Käranden (den som gjort reklamationen) ska låta tillverkaren/tillverkarens företrädare granska den felaktiga produkten på produktens ursprungliga plats i det skick som den är efter skadan. Produkten får inte ändras, repareras, flyttas eller skickas till tillverkaren/företrädaren innan tillstånd för detta har getts.

2.3 Tillverkaren (Palram) förbehåller sig rätten att självständigt undersöka orsaken till felet.

#### 3. Ersättning

3.1 När reklamationen har anmålts enligt villkoren i garantin och godkänts av Palram har köparen (käranden) rätt att få nya delar eller en ny produkt eller en ersättning som står i proportion till skadan och anskaffningspriset enligt följande tabell:

Tid sedan anskaffning	Ersättande produkt/del	Ersättning
1 år sedan anskaffning	Utan avgift	100%
1 => 2 år sedan anskaffning	Självrisk andel 20 <span> </span> %	80%
2 => 3 år sedan anskaffning	Självrisk andel 40 <span> </span> %	60%
3 => 4 år sedan anskaffning	Självrisk andel 60 <span> </span> %	40%
4 => 5 år sedan anskaffning	Självrisk andel 80 <span> </span> %	20%

3.2 För att undvika alla misstankar, felkalkyleringar eller missförstånd vad gäller ersättning, beräknas den i tabellen framställda ersättningen alltid enligt den andel som den felaktiga/skadade delen utgör av hela produktens anskaffningspris. Tillverkaren förbehåller sig rätten att leverera en ersättande produkt/produkt del om originaldelar inte längre är tillgängliga eller om delarna eller produkterna är föråldrade.

3.3 Garantin ersätter inte utgifter som orsakats av installering, nedmontering, flyttning eller reparation av produkten och inte heller utgifter som orsakats av direkta eller indirekta utgifter och förluster för att produkten haft fel eller skador, tex. skatter, flyttningsavgifter, leverans- och sändningsavgifter.

#### 4. Allmänna villkor och begrænsningar

4.1 UTÖVER VAD SOM UTTRYCKLIGEN NÄMNS I DENNA GARANTI ÄR ALLA ÖVRIGA GARANTIERS ALLMÄNT BINDANDE VERKAN DIREKT ELLER INDIREKT GÄLLANDE ALLMÄN ELLER SÄRSKILD TILLÄMPNING UTESLUTNA INOM LAGENS RAMAR.

4.2 MED UNDANTAG AV VAD SOM NÄMNS I DESSA GARANTIVILLKOR, ANSVARAR TILLVERKAREN INTE FÖR DE FÖRLUSTER ELLER SKADOR SOM KÖPAREN ELLER ANVÄNDAREN AV PRODUKTEN DIREKT ELLER INDIREKT ELLER TILL FÖLJD AV ANVÄNDNINGEN AV ELLER KONTAKTEN MED PRODUKTEN DRABBAS AV.

4.3 OM TILLVERKAREN ENLIGT LOKAL LAGSTIFTNING ELLER UTFRÅN KONSUMENTSKYDDETS REKOMMENDATIONER NEKATS ATT INNEHÅLLA ERSÄTTNINGAR, TILLÄMPAS MED TANKE PÅ GARANTIER OM ALLMÄN ELLER SÄRSKILD TILLÄMPNING, GARANTIERNAS GILTIGHETSTID ENLIGT LOKAL LAGSTIFTNING PÅ PRODUKTEN.

4.4 KÖPAREN ÄR ENSAM ANSVARIG FÖR ATT PRODUKTEN HANteras, FÖRVARAS OCH MONTERAS ÅNDAMÅLSENLIGT SAMT FÖR ATT DEN PLACERAS PÅ ETT TRYGGT SÄTT. PALRAM ÄR INTE ANSVARIG FÖR NÅGRA MISSÖDEN ELLER SKADOR SOM ORSAKAS KÖPAREN, ANNAN PERSON ELLER PART ELLER DERAS EGENDOM OM DE BERÖR PÅ ATT PRODUKTEN HANterATS, FÖRVARATS, INSTALLERATS, MONTERATS PÅ FEL SÄTT ELLER PÅ GRUND AV ATT PRODUKTEN ANVÄNTS PÅ FEL SÄTT ELLER ATT ANVISNINGARNA INTE IAKTTAGITS.

4.5 OM INGET ANNAT UTTRYCKLIGEN HAR ANGIVITS AV PALRAM ÄR PRODUKTEN ENDAST AVSEDD FÖR NORMAL ANVÄNDNING I HEMMET OCH NORMAL KOMMERSELL ANVÄNDNING. OM ANVÄNDNINGEN AV PRODUKTEN ENLIGT LOKAL LAGSTIFTNING ELLER ANDRA BESTÄMMELSER PÅ DEN PLATS DÄR KÖPAREN ANVÄNDER PRODUKTEN INTE ÄR TILLÄTNA, ANSVARAR PALRAM INTE FÖR NÅGRA FÖRLUSTER, OLYCKSHÄNDELSER, KOSTNADER ELLER UTGIFTER SOM BERÖR PÅ ATT PRODUKTEN ANVÄNTS PÅ FEL SÄTT, OBEROENDE AV FÖR VILKET ÅNDAMÅL PRODUKTEN ANVÄNTS.

4.6 FÖRANKRING AV DENNA PRODUKT PÅ MARKEN ÄR NODVANDIGT FÖR STABILITET OCH STYVHET. DET ÄR NODVANDIGT ATT SLUTFÖRA DET HAR STEGET FÖR ATT DIN GARANTI SKA GALLA.

Palram Applications (1995) Ltd (Selskapsnummer: 512106824) med hovedkontor i Teradion Industrial Park, M.P Misgav 20174, Israel ("Palram") garanterer at Produktet vil være fri for mangler i materiale eller utførelse i en periode på 5 år fra originalen Kjøpsdato underlagt definisjonene, vilkårene og betingelsene i denne garantien.

#### 1. Betingelser

1.1 Denne garantien gjelder kun hvis produktet er installert, rengjørt, håndtert og vedlikeholdt i samsvar med Palrams skriftlige anbefalinger (Anbefalt bruk: Hobby hagearbeid).

1.2 Uten unntak fra ovenstående skal skader forårsaket av bruk av kraft, feilaktig håndtering, u hensigtsmessig bruk, forsømmelig bruk eller montering eller vedlikehold, ulykker, innvirkning fra fremmedlegemer, hærverk, forurensninger, endring, maling, tilkobling, liming, forsegling ikke i samsvar med brukermanualen, eller skade som skyldes rengjøring med inkompatible vaskemidler og mindre avvik fra produktet, er ikke dekket av denne garantien.

1.3 Denne garantien gjelder ikke for skade som skyldes “force majeure”, som inkluderer, men er ikke begrenset til, hagl, storm, tornado, orkan, snøstorm, flom, brannvirkninger.

1.4 Denne garantien er ugyldig dersom strukturelle deler og komponenter ikke er kompatible med Palrams skriftlige anbefalinger.

1.5 Denne garantien gjelder bare for den opprinnelige kjøperen av produktet. Det strekker seg ikke til noen annen kjøper eller bruker av produktet (inkludert, men ikke begrenset til, noen som kjøper produktet fra den opprinnelige kjøperen).

1.6 Enhver annen bruk til andre formål er på brukerens eget ansvar.

Palram fraskriver seg og påtar seg intet ansvar for bruk anbefales ikke av denne garantien.

#### 2. Krav og varsler

2.1 Hvert garantibevis må bli meldt skriftlig til Palram innen 30 dager etter oppdagelsen av det defekte produktet, vedlagt det originale salgskvitteringen og denne garantien.

2.2 Saksøkeren må tillate Palram å inspisere produktet og selve installasjonsstedet mens produktet fortsatt er i sin opprinnelige posisjon og ikke er fjernet eller flyttet eller endret på noen måte og / eller returnert produktet til Palram for testing.

2.3 Palram forbeholder seg retten til å undersøke uavhengig årsaken til feil.

#### 3. Kompensasjon

3.1 Hvis et krav i henhold til denne garantien er korrekt anmeldt og godkjent av Palram, kan kjøperen ved Palrams valg enten (a) kjøpe et erstatningsprodukt eller deler / s; eller (b) motta tilbakebetaling av originalproduktets eller delens kjøpskurs, alt i samsvar med følgende tidspånt:

Periode etter innkjøp	Erstatningsprodukt eller del / s	Refusjon
Fra kjøpsdato fram til slutten av 1. år	Gratis	100%
Slutten av 1. år til slutten av 2. år	Kjøperen betaler 20% av den opprinnelige kjøpesummen	80%
Slutten av 2. år til slutten av 3. år	Kjøperen betaler 40% av den opprinnelige kjøpesummen	60%
Slutten av 3. år til slutten av 4. år	Kjøperen betaler 60% av den opprinnelige kjøpesummen	40%
Slutten av 4. år til slutten av 5. år	Kjøperen betaler 80% av den opprinnelige kjøpesummen	20%

3.2 For å unngå tvil, vil beregning for bestemmelse om kompensasjon for defekte del / s, i henhold til oversikten ovenfor, være basert på den defekte delens bidrag til den opprinnelige prisen på produktet. Palram forbeholder seg retten til å yte erstatning dersom produktet eller deler av det er utilgjengelig eller utelatt.

3.3 Denne garantien dekker ikke eventuelle kostnader og kostnader ved fjerning og installasjon av produktet eller skatter eller fraktkostnader eller andre direkta eller indirekta tap som kan skyldes produktsvikt.

#### 4. Generelle vilkår og begrensninger

4.1 ANDRE, DER ER SPEIELLT STILT I DENNE GARANTIE, ER ALLE ANDRE GARANTIER, UTTRYKKELEG ELLER UNDERFORSTÅTET, INKLUDERT ALLE UNDERFORSTÅTE GARANTIER OM SALGBARHET ELLER EGNETHET FOR ET PRAKTISK FORMÅL, UTTRYKKET SOM LOVGIVNINGEN GJELDER.

4.2 BORTSETT FRA HVER VI SPESIFIKT HAR ANGITT DENNE GARANTIE, ER PALRAM IKKE ANSVARLEG FOR NOEN TAP, ELLER SKADER SOM KJØPER SIKKER DIREKTE, INDIREKTE ELLER SOM FØLGENDE ANVENDELSE ELLER PÅ EN ANNEN MÅDE SOM ER TILKNYTTET TIL PRODUKTET.

4.3 HVIS PALRAM ER FORBUDT I HENHOLD TIL EN GJELDENE LOV UTTRYKKELEG DE UNDERFORSTÅTE GARANTIER OM SALGBARHET ELLER EGNETHET FOR ET BESTEMT FORMÅL I FORBINDELSE MED PRODUKTET, ER VARIGHETEN FOR ALLE DENNE UNDERFORSTÅTE GARANTIER UTTRYKKELEG BEGRENSET TIL VARIGHETEN AV DENNE GARANTIE ELLER LANGERE MAXIMUM PERIOD KRAVET AV GJELDENE LOVGIVNING.

4.4 KJØPEREN ER LIKT ANSVARLEG FOR Å BESTEMME OM HÅNDTERING, OPPBEVARING, MONTERING, INSTALLASJON ELLER BRUK AV PRODUKTET ER SIKKER OG TILGJENGELIG PÅ NOEN Plassering, FOR ANSVARLEG ANSØKNING ELLER I NOGEN omSTENDIGHET. PALRAM ER IKKE ANSVARLEG FOR NOEN SKADER ELLER SKADE TIL KJØPEREN, ANDRE PERSONER ELLER enheter EIENDOM SOM OPPFYLLES FRA DEN UBEGRENSEDE HÅNDTERING, OPPBEVARING, INSTALLASJON, MONTERING ELLER BRUK AV PRODUKTET ELLER MANGLINGEN TIL Å FØLGE SKRIFTLIGE INSTRUKSJONER VEDRØRENDE HÅNDTERING, OPPBEVARING, INSTALLASJON , MONTERING OG BRUK AV PRODUKTET.

4.5 MED UNDERSØKELSE AV PALRAM, UTTRYKKELEG ANVIST, PRODUKTEN ER BEGRENSET TIL KUN FOR NORMAL BEGIVELSE OG KOMMERSELL BRUK. PALRAM ER IKKE ANSVARLEG FOR NOEN TAP, SKADER, KOSTNAD ELLER UTGIFTER SOM FØLGE AV EN ANVENDELSE AV PRODUKTET FOR NOGT FORMÅL SOM IKKE ER ANBEFALT AV DE SKRIFTLIGE INSTRUKSJONENE, ELLER DET ER IKKE GJELDET VED ANSVARLEG

4.6 **VENNLI GST MERK:** FÖRANKRING AV DETTE PRODUKTET TIL GRUNNEN ER VIKTIG FÖR STABILITET OG RIGIDTET. DET KREVES Å FULLFÖRE DETTE TRINNET FÖR AT DIN GARANTI SKAL VÆRE GYLDIG.



Palram Applications (1995) Ltd (yhtiön rek.nro 512106824) jonka päätoimipiste toimii osoitteessa Teradion Industrial Park, M.P Misgav 20174, Israel. Palram takeita, että se valmistamissa tuotteissa ei sisälly virheitä materiaali- tai valmistusvirheitä, ja seuraavan 5 vuoden aikana alkupeäisistä ostopäivästä, joita on raportoitu osuuteissa.

#### 1. Olosuhteet

11 Tämä takuu on voimassa vain tuotteelle joka on ohjeen mukaisesti asennettu, hoidettu & ylläpidetty sekä pidetty puhtaana Palramin ohjekirjassa antamien ohjeiden mukaisesti (Suositeltu käyttö: Puutarhanhoitoharrastus).

12 Poikkeamatta edellä mainitusta, vauriot jotka ovat syntyneet liiallisesta voiman käytöstä , väärástä tai sopimattomasta käytöstä , huolimattomasta asennuksesta , käytöstä tai ylläpidosta , vahingoista , vieraiden esineiden kolhuista , ilkivallasta epäpuhtauksista , muutoksista , maalauksista , liitoksista , liimauksista , teippauksista , sopimattomista tiivistyksistä tai vaurioista jotka ovat syntyneet yhteensopimattomista puhdistusaineista. Pienet poikkeamat eivät kuulu tämän takuun piiriin.

13 Tämä takuu ei kata luonnonilmiöitä taikka niistä syntyneitä vaurioita kuten rakeet , raskas lumi, myrsky , pyörremyrsky , hurmumyrsky, salamät ,tuli taikka tulva.

14 Tämä takuu on mitätön mikäli kasvihuoneen kanssa käytetään yhteensopimattomia rakenneosia taikka komponentteja jotka eivät ole vakmistajan (Palram) suosituksen mukaisia.

15 Tämä takuu on ainoastaan voimassa alkupeäiselle ostajalle / saajalle. Se ei ole jatkettavissa tai siirrettävissä toisille käyttäjille taikka seuraaville omistajille.

16 Kaikki muu käyttö muihin tarkoituksiin on käyttäjän yksinomaisella vastuulla.Palram ei ole vastuussa mistään käytöstä, jota ei suositella tässä takuussa

#### 2. Reklamaatiot ja ilmoitukset

21 Kaikki takuuvaatimukset on tehtävä kirjallisesti Palramille 30 päivän sisällä viallisen tuotteen huomaamisesta, ja mukaan on liitettävä alkupeäinen ostokuitti ja tämä takuu.

22 Kantajan (reklamaation tehnyt) tulee sallia valmistajan / valmistajan edustajan tarkistaa vioittunut tuote sen alkupeäisessä Sijainnissa siinä kunnossa kuin se on vaurion sattumisen jälkeen. Tuotetta ei saa muunnella , korjata , siirtää taikka lähettää valmistajalle / edustajalle ennen siihen saatua lupaa.

23 Valmistaja (Palram) varaa oikeuden saada itsenäisesti tutkia vian syy.

#### 3. Korvaus

31 Mikäli reklamaatio on takuun mukaisesti ilmoitettu ja hyväksytty Palramilta, on ostaja (kantaja) oikeutettu joko korvaaviin osiin / tuotteeseen taikka hyvitykseen joka on suhteessa vahinkoon & hankintahintaan seuraavan taulukon mukaisesti:

Aikaa hankinnasta	Korvaava tuote ja / tai osa	Korvaus
1 vuosi hankinnasta	Veloituksetta	100 <span> </span> %
1 => 2 ´teen vuoteen hankinnasta	Omavastuu 20 <span> </span> %	80 <span> </span> %
2 => 3 ´teen vuoteen hankinnasta	Omavastuu 40 <span> </span> %	60 <span> </span> %
3 => 4 ´teen vuoteen hankinnasta	Omavastuu 60 <span> </span> %	40 <span> </span> %
4 => 5 ´teen vuoteen hankinnasta	Omavastuu 80 <span> </span> %	20 <span> </span> %

32 Välttyäkseen miltään epäilyiltä , laskentavirheiltä tai väärinkäsityksiltä korvattavuuden suhteen edellä esitetyn taulukon mukainen korvaus lasketaan aina viallisen / vioittuneen osan osuudesta kokonaistuotteen hankinta-arvosta. Valmistaja varaa oikeuden toimittaa korvaava tuote / tuoteosa mikäli alkupeäistä osaa ei ole enää saatavissa tai se on vanhentunut.

33 Tämä takuu ei korvaa kuluja jotka ovat syntyneet asennuksesta, purkauksesta, tuotteen siirtämisestä tai korjaustyöstä eikä myöskään suorista tai epäsuorista kuluista & menetyksistä kuten veroista, muutoista, toimitus- & lähetyksuluista jotka ovat syntyneet tuotteen viallisuudesta tai vioittuneisuudesta.

#### 4. Yleiset ehdot ja rajoitukset

41 MUILTA OSIN KUIN NIMENOMAISESTI TÄSSÄ TAKUUSSA ON ESITETTY, KAIKKIEN MUIDEN TAKUIDEN YLEISSIVOUUDET KAUPALLISESTA HYÖDYNNETTÄVYDESTÄ TAI SOPIVUUDESTA SUORAAN TAI VÄLILLISESTI OVAT POISSULJETTU SIKÄLI KUIN LAKI SALLII.

42 POISLUKIEN MITÄ NÄISSÄ TAKUUEHDOISSA ON ESITETTY, VALMISTAJA EI VASTAA MISTÄÄN TAPPIOISTA TAI VAHINGOISTA MITÄ OSTAJA TAI TUOTTEEN KÄYTTÄJÄ KÄRSII SUORAAN, VÄLILLISESTI TAI SEURAUKSENA TUOTTEEN KÄYTTÄMISESTÄ TAI YHTEYDESTÄ TUOTTEESEEN.

43 MIKÄLI VALMISTAJAA ON KIELLETTY EVÄTÄ PAIKALLISESTI SOVELLETTAVAN LAINSÄÄDÄNNÖN TAI KULTTANSUOJA SUOSITUSTEN POHJALTA TAKUUEHTOJEN MUKAISIA KORVAUKSIA – SOVELLETTAAN YLEISESTI KAUPALLISESTI HYÖDYNNETTÄVYDESTÄ TAI SOPIVUUDESTA TIETTYYN TARKOITUKSEEN NÄHDEN TUOTTEEN OLEVAN TAKUIDEN VOIMASSAOLOAIKAA PAIKALLISEN LAIN MUKAAN.

44 OSTAJA ON YKSIN VASTUUSSA ASIANMUKAISESTA KÄSITTELYSTÄ, VARASTOINNISTA, KOKOONPANOSTA SEKÄ TURVALLISESTA SIJAINNISTAETTÄ KÄYTTÖSTÄ JA SÄILYTYKSESTÄ. PALRAM EI OLE VASTUUSSA MISTÄÄN VAHINGOISTA TAI VAMMOISTA OSTAJALLE, MUULLE HENKILÖLLE TAI OSAPUOLELLE TAI HÄNEN OMAISUUDELLE MIKÄLI NE JOHTUVAT VÄÄRÄSTÄ KÄSITTELYSTÄ, VARASTOINNISTA, ASENNUKSESTA, KOKOAMISESTA TAI TUOTTEEN VÄÄRÄSTÄ KÄYTTÖSTÄ TAI OHJEIDEN NOUDATTAMATTA JÄTTÄMISESTÄ.

45 JOS EI MUUTEN ERIKSEEN ILMOITETA PALRAMIN TAHOLTA, TÄMÄ TUOTE ON TARKOITETTU VAIN TAVALLISEEN KOTI- JA KAUPALLISEEN KÄYTTÖÖN.PALRAM EI OLE VASTUUSSA MISTÄÄN MENETYKSESTÄ, VAHINGOSTA, KUSTANNUKSISTA TAI KULUISTA JOTKA JOHTUVAT TUOTTEEN VÄÄRÄSTÄ KÄYTTÖSTÄ MIHIN TAHANSA TARKOITUKSEEN, MIKÄLI EI OLLA NOUDATETTU SUOSITELTUIJA KIRJALLISIA OHJEITA TAI JOS KÄYTTÖ EI OLE SALLITTUA SOVELLETTAVAN LAINSÄÄDÄNNÖN TAI MUIDEN ASETUSTEN MUKAAN PAIKASSA JOSSA OSTAJA KÄYTTÄÄ TUOTETTA.

46 TUOTTEEN ANKKUROINTI MAAHAN ON VALTTAMATONTA SEN VAKAUDEN JA JAYKKYDEN KANNALTA. SE VAADITAAN TASSA VAIHEESSA, JOTTA TAKUU OLISI VOIMASSA.

Palram Applications (1995) Ltd. (Virksomhedsregistreringsnummer: 512106824), registreret på adressen Teradion Industrial Park, M.P Misgav 20174, Israel ("Palram"), garanterer at Produktet ikke lider af materiefejl eller fabrikationsfejl i en periode på 5 år fra købsdatoen, underlagt definitionerne og vilkårene indeholdt i denne garanti.

#### 1. Vilkår

11 Denne garanti er kun gældende, hvis Produktet er installeret, rengjort, håndteret og vedligeholdt i overensstemmelse med Palrams skrevne anbefalinger (Anbefalet brug: Fritidshavearbejde).

12 Uden at afvige fra det ovennævnte, er skade opstået grundet brug af fysisk magt, ukorrekt håndtering, upassende brug, forsømmeligt brug, samling eller vedligeholdelse, uheld, indvirken fra fremmedlegemer, vandalisme, forurenende stoffer, ændringer, maling, tilslutning, limning, forsegling, der ikke er i overensstemmelse med brugsvejledningen, eller skade som resultat af rengøring med ikke-kompatible rengøringsmidler og mindre afvigelser ved Produktet ikke dækket af denne garanti.

13 Denne garanti dækker ikke skade som resultat af "naturens handling", hvilket omfatter, men er ikke begrænset til hagl, storm, tornadoer, orkaner, snestorme, oversvømmelse, følger af brand.

14 Denne garanti er ugyldig, hvis der benyttes konstruktionsdele og løse dele, der ikke er kompatible med Palrams skrevne anbefalinger.

15 Denne garanti er kun gældende for Produktets oprindelige køber. Den omfatter ikke andre købere eller brugere af Produktet (inklusiv, men ikke begrænset til, enhver person der erhverver Produktet fra den oprindelige køber).

16 Enhver anden anvendelse til ethvert andet formål er på brugerens eget ansvar.

Palram fraskriver sig alt ansvar for enhver brug, der ikke anbefales af denne garanti.

#### 2. Krav og Bekendtgørelser

21 Ethvert garantikrav skal bekendtgøres skriftligt til Palgram inden for 30 dage, efter opdagelsen af det defekte Produkt, og vedlægges den originale kvittering og denne garanti.

22 Skadesanmelderen skal lade Palram undersøge Produktet, der er tale om, og selve installationen, mens Produktet stadig befinder sig i sin oprindelige position og ikke er blevet fjernet eller flyttet eller ændret på nogen måde, og/eller lade produktet sende tilbage til Palram for afprøvning.

23 Palram forbeholder sig retten til selvstændigt at undersøge årsagen til dette funktionssvigt.

#### 3. Erstatning

31 Hvis et krav i henhold til denne garanti bekendtgøres korrekt og godkendes af Palram, kan køberen, efter Palrams valg, (a) købe et erstatningsprodukt eller del/e, eller (b) modtage refundering for det oprindelige Produkts eller del/es købspris, alt i henhold til den følgende oversigt:

Periode Efter Køb	Erstatningsprodukt eller Del/e	Refundering
Fra købsdato til udgangen af 1. år	Uden beregning	100%
Udgangen af 1. år til udgangen af 2. år	køber vil betale 20 <span> </span> % af den oprindelige købspris	80%
Udgangen af 2. år til udgangen af 3. år	køber vil betale 40 <span> </span> % af den oprindelige købspris	60%
Udgangen af 3. år til udgangen af 4. år	køber vil betale 60 <span> </span> % af den oprindelige købspris	40%
Udgangen af 4. år til udgangen af 5. år	køber vil betale 80 <span> </span> % af den oprindelige købspris	20%

3.2 For at undgå tvivl vil beregning for bestemmelse af erstatning for defekt(e) del/e, i henhold til oversigten ovenfor, blive baseret på den defekte dels dækning i forhold til Produktets oprindelige pris. Palram forbeholder sig retten til at levere erstatninger, hvis Produktet, eller nogen del af dette, er utilgængeligt eller forældet.

3.3 Denne garanti dækker ikke omkostninger eller udgifter ved fjernelse og installation af Produktet, eller afgifter, eller forsøndelsesomkostninger, eller nogen direkte eller indirekte tab, der kan opstå grundet Produktfejl.

#### 4. Almindelige Betingelser og Begrænsninger

4.1 UD OVER HVAD DER ER BLEVET SPECIFIKT ANFØRT I DENNE GARANTI, ER ALLE ANDRE GARANTIER, OM UDTRYKT ELLER UNDERFORSTÅET, OMFATTENDE ALLE UNDERFORSTÅEDE GARANTIER VEDRØRENDE SALGBARHED ELLER EGNETHED TIL ET SPECIFIKT FORMÅL UNDTAGET FOR SÅ VIDT LOVEN TILLADER

4.2 MED UNDTAGELSE AF, HVOR VI HAR SPECIFIKT ANFØRT DET I DENNE GARANTI, ER PALRAM IKKE ANSVARLIG FOR NOGEN TAB ELLER SKADER, SOM KØBEREN LIDER DIREKTE, INDIREKTE, ELLER SOM EN FØLGE AF BRUG, ELLER PÅ NOGEN ANDEN MÅDE FORBINDELSE TIL PRODUKTET.

4.3 HVIS PALRAM UDELUKKES FRA, I HENHOLD TIL ENHVER GÆLDENDE LOV, AT UNDTAGE DEN UNDERFORSTÅEDE SALGBARHEDS ELLER EGNETHEDSGARANTI FOR ET SPECIFIKT FORMÅL I FORHOLD TIL PRODUKTET, ER VARIGHEDEN AF ALLE SÅDANNE UNDERFORSTÅEDE GARANTIER UDTRYKkelig BEGRÆNSET TIL VARIGHEDEN AF DENNE GARANTI, ELLER, HVIS LÆNGERE, DEN MAKSIMALE PERIODE KRÆVET AF GÆLDENDE LOVGIVNING.

4.4 KØBEREN ER ENEANSVARLIG FOR AT BESLUTTE OM HÅNDBTERINGEN, OPBEVARINGEN, SAMLINGEN, INSTALLATIONEN ELLER BRUGEN AF PRODUKTET ER SIKKERT OG PASSENDE PÅ ETHVERT OMRÅDE, TIL ENHVER APPLIKATION ELLER UNDER ETHVERT GIVENT FORHOLD. PALRAM ER IKKE ANSVARLIG FOR NOGEN SKADER ELLER KVÆSTELSER KØBER, ENHVER ANDEN PERSON, ELLER EJENDOM MÅTTE LIDE, SOM RESULTAT AF UKORREKT HÅNDBTERING, OPBEVARING, INSTALLATION, SAMLING ELLER BRUG AF PRODUKTET ELLER UNDLADELSE AF AT FØLGE DE SKREVNE ANBEFALINGER VEDRØRENDE HÅNDBTERING, OPBEVARING, INSTALLATION, SAMLING OG BRUG AF PRODUKTET.

4.5 MEDMINDRE ANDET UDTRYKKELGIT ER ANGIVET AF PALRAM, PRÆPARATET ER BEREGNET TIL ALMINDELIG BRUG I HJEMMET OG KOMMERCIEL BRUG. PALRAM ER IKKE ANSVARLIG FOR TAB, SKADE, OMKOSTNINGER ELLER UDGIFTER SOM RESULTAT AF NOGEN BRUG AF PRODUKTET TIL NOGET, DER IKKE ER ANBEFALET I DE SKREVNE ANBEFALINGER, ELLER IKKE ER TILLADT I HENHOLD TIL NOGEN GÆLDENDE LOVGIVNING ELLER ANDRE GÆLDENDE REGLER PÅ DET STED, HVOR KØBER VIL BRUGE PRODUKTET.

4.6 FORANKRING AF DETTE PRODUKT TIL JORDEN ER AFGØRENDE FOR DETS STABILITET OG STYRKE. FOR AT SIKRE GYLDIGHEDEN AF DIN GARANTI, KRIVES DET, AT DU GENNEMFORER DETTE TRIN.

Palram Applications (1995) Ltd (Bedrijfsnummer: 512106824) met maatschappelijke zetel te Teradion Industrial Park, M.P Misgav 20174, Israël ("Palram") garandeert dat het product vrij is van materiaal- en fabricagefouten voor een periode van 5 jaar vanaf de oorspronkelijke datum van aankoop door de definities en voorwaarden van deze garantie.

### 1. Voorwaarden

- Deze garantie is alleen geldig indien het Product is geïnstalleerd, gereinigd, gebruikt en onderhouden in overeenstemming met de geschreven aanbevelingen van Palram (Aanbevolen gebruik: hobby tuinieren).
- Zonder af te wijken van het bovenstaande, zal schade veroorzaakt door gebruik van geweld, onjuist gebruik, oneigenlijk gebruik, nalatig gebruik of montage of onderhoud, ongevallen, botsing met vreemde voorwerpen, vandalisme, vervuiling, aanpassingen, schilderen, verbinden, lijmen, afdichten op een wijze die niet in overeenstemming is met de handleiding, of schade als gevolg van reiniging met incompatibele schoonmaakmiddelen en geringe afwijkingen van het Product niet vallen onder deze garantie.
- Deze garantie geldt niet voor schade als gevolg van "overmacht", inclusief maar niet beperkt tot, hagel, onweer, tornado's, orkanen, sneeuwstormen, overstromingen, gevolgen van brand.
- Deze garantie vervalt als structurele onderdelen en onderdelen die worden gebruikt niet compatibel zijn met schriftelijke aanbevelingen van Palram.
- Deze garantie geldt alleen voor de oorspronkelijke koper van het Product. Zij geldt niet voor een andere koper of gebruiker van het Product (inclusief, maar niet beperkt tot, elke persoon die het product koopt van de oorspronkelijke koper).
- Elk ander gebruik voor iets anders dan waar het voor bedoeld is valt onder de verantwoordelijkheid van de gebruiker. Palram verwierpt en aanvaardt geen aansprakelijkheid voor elk gebruik dat niet wordt aanbevolen door deze garantie.

### 2. Claims en meldingen

- Elke garantieclaim dient bij Palram te worden ingediend binnen 30 dagen na de ontdekking van het defecte product, met bijvoeging van het originele koopbewijs en deze garantie.
- De eiser moet het Palram mogelijk maken het betrokken product en de constructielocatie zelf te inspecteren, met het product nog in de oorspronkelijke positie en niet verwijderd of verplaatst of op enigerlei wijze veranderd en/of het product terugzenden naar Palram om te laten testen.

3. Palram behoudt zich het recht om zelfstandig de oorzaak van een probleem te onderzoeken.

### 3. Compensatie

- Indien een claim onder deze garantie goed is aangemeld en door Palram is goedgekeurd, mag de koper, naar Palrams keuze, ofwel (a) een vervangend product of onderde(e)/en aanschaffen, of (b) het aankoopbedrag van het oorspronkelijke product of onderde(e))/en terugkrijgen, alles in overeenstemming met het volgende schema:

Periode na aankoop	vervangende product of onderde(e))/en Teruggave	Teruggave
Vanaf de aankoopdatum tot het eind van 1e jaar	Gratis	100%
Einde van 1 <sup>e</sup> jaar tot einde van 2 <sup>e</sup> jaar	koper betaalt 20% van het oorspronkelijke aankoopbedrag	80%
Einde van 2 <sup>e</sup> jaar tot einde van 3 <sup>e</sup> jaar	koper betaalt 40% van het oorspronkelijke aankoopbedrag	60%
Einde van 3 <sup>e</sup> jaar tot einde van 4 <sup>e</sup> jaar	koper betaalt 60% van het oorspronkelijke aankoopbedrag	40%
Einde van 4 <sup>e</sup> jaar tot einde van 5 <sup>e</sup> jaar	koper betaalt 80% van het oorspronkelijke aankoopbedrag	20%

- Voor alle duidelijkheid, de berekening voor de bepaling van de compensatie voor defecte onderde(e))/en, volgens het bovenstaande schema, zal worden gebaseerd op de bijdrage van het defecte onderdeel of de oorspronkelijke kosten van het product. Palram behoudt zich het recht voor vervangingen te leveren indien het product of enig deel daarvan niet beschikbaar of verouderd is.
- Deze garantie dekt geen kosten en uitgaven van de verwijdering en installatie van het Product of belastingen of verzendkosten of enige andere directe of indirecte schade(s) die kan/kunnen voortvloeien uit het defect van het product.

### 4. Algemene voorwaarden en beperkingen

- ANDERS DAN SPECIEK IN DEZE GARANTIE AANGEGEVEN, ZIJN ALLE ANDERE GARANTIES, HETZIJ EXPLICIET OF IMPLICIET, INCLUSIEF ALLE IMPLICIETE GARANTIES VAN VERKOOPBAARHEID OF GESCHIKTHEID VOOR EEN BEPAALD DOEL UITGESLOTEN VOOR ZOVER DE WET DIT TOELAAT.
- BEHALVE WAAR WE DAT SPECIEK HEBBEN AANGEGEVEN IN DEZE GARANTIE, ZAL PALRAM NIET VERANTWOORDELIJK VOOR VERLIES OF SCHADE DIE DE KOPER LIJDT, DIRECT OF INDIRECT, OF ALS GEVOLG VAN HET GEBRUIK, OF OP WELKE ANDERE WIJZE DAN OOK IN VERBAND MET HET PRODUCT.
- ALS HET PALRAM VERBODEN IS ONDER DE TOEPASSELIJKE WETGEVING DE GARANTIES VAN VERKOOPBAARHEID OF GESCHIKTHEID UIT TE SLUITEN VOOR EEN BEPAALD DOEL MET BETREKKING TOT HET PRODUCT, IS DE DUUR VAN ALLE DERGELIJKE IMPLICIETE GARANTIES UITDRUKKELIJK BEPERKT TOT DE DUUR VAN DEZE GARANTIE OF, INDIEN LANGER, TOT DE MAXIMALE PERIODE VEREIST IN DE TOEPASSELIJKE WETGEVING.
- DE KOPER IS ZELF GEHEEL VERANTWOORDELIJK OM TE BEPALEN OF HET HANTEREN, DE OPSLAG, MONTAGE, INSTALLATIE OF HET GEBRUIK VAN HET PRODUCT OP ELKE LOCATIE VEILIG EN PASSEND IS, GESCHIKT IS VOOR HET DOEL OF PASSEND ONDER DE GEGEVEN OMSTANDIGHEDEN IS. PALRAM IS NIET VERANTWOORDELIJK VOOR ENIGE SCHADE OF LETSEL AAN DE KOPER, EEN ANDERE PERSOON OF ENIGE ANDERE ZAKEN ALS GEVOLG VAN ONDOELMATIG GEBRUIK, OPSLAG, INSTALLATIE, MONTAGE OF HET GEBRUIK VAN HET PRODUCT OF HET NIET VOLGEN VAN DE SCHRIFTELIJKE AANWIJZINGEN BETREFFENDE HET HANTEREN, OPSLAAN, INSTALLEREN, MONTEREN EN GEBRUIK VAN HET PRODUCT.
- TENZIJ NADRUKKELIJK ANDERS AANGEGEVEN DOOR PALRAM, IS HET PRODUCT ALLEEN BEDOELD VOOR NORMAAL RESIDENTIEEL EN COMMERCIEEL GEBRUIK. PALRAM IS NIET VERANTWOORDELIJK VOOR VERLIES, SCHADE, KOSTEN OF UITGAVEN ALS GEVOLG VAN HET GEBRUIK VAN HET PRODUCT VOOR ENIG DOEL DAT NIET IS AANBEVOLEN IN DE SCHRIFTELIJKE INSTRUCTIES OF DAT NIET IS TOEGESTAAN VANWEGE ENIGE TOEPASSELIJKE WETGEVING OF ANDERE GEBRUIKEN OP DE LOCATIE WAAR DE KOPER HET PRODUCT ZAL GEBRUIKEN.
- VERANKERING VAN DIT PRODUCT AAN DE GROND IS VAN ESSENTIEEL BELANG VOOR DE STABILITEIT EN STEVIGHEID. DEZE FASE DIENT TE WORDEN VOLTOOID, OM UW GARANTIE GELDIG TE LATEN BLIJVEN.

Palram Applications (1995) Ltd (società numero: 512106824) i cui uffici registrati hanno sede a Teradion Industrial Park, M.P Misgav 20174000, Israele ("Palram") garantisce che il Prodotto sarà privo da difetti di materiale o di lavorazione in un periodo di 5 anni dalla data originale d'acquisto soggetta alle definizioni, termini e condizioni contenute in questa garanzia.

### 1. Condizioni

- La presente garanzia sarà valida solo se il Prodotto è installato, pulito, trattato e mantenuto secondo le raccomandazioni scritte di Palram (Uso raccomandato: Giardinaggio amatoriale).
- Senza deroghe a quanto descritto sopra, i danni causati da forzature, trattamento incorretto, uso inappropriato, uso disattento o assemblaggio o manutenzione, incidenti, impatto da oggetti estranei, vandalismo, inquinanti, alterazioni, pittura, connessioni, incollature, chiusura non conformi al manuale utente o danni derivanti dalla pulizia con detersivi incompatibili e variazioni minori al Prodotto non sono coperti dalla presente garanzia.
- La presente garanzia non è valida per i danni derivanti da cause di forza maggiore che includono, ma non si limitano a, grandine, tempeste, tornado, uragani, bufere di neve, allagamenti, effetti del fuoco.
- La presente garanzia si ritiene nulla se le parti strutturali e i componenti usati non sono compatibili con le raccomandazioni scritte di Palram.
- La presente garanzia è valida solo per l'acquirente originario del Prodotto. Tale garanzia non si estende ad altri acquirenti o utenti del Prodotto (che includono, ma non si limitano a, ogni persona che acquista il Prodotto dall'acquirente originario).
- Ogni altro uso per qualunque altro scopo è sotto la responsabilità esclusiva dell'utente. Palram declina e non si assume alcuna responsabilità per qualsiasi uso non raccomandato dalla presente garanzia.

### 2. Richieste e notifiche

- Ogni richiesta in garanzia deve essere notificata a Palram per iscritto entro 30 giorni dalla scoperta del Prodotto difettoso, allegando la ricevuta di acquisto originale e la presente garanzia.
- Il richiedente deve consentire a Palram di ispezionare il Prodotto in questione e lo stesso sito di installazione mentre il Prodotto è ancora nella sua posizione originale e non è stato rimosso, spostato o alterato in alcun modo e/o restituire il Prodotto a Palram per effettuare una prova.
- Palram si riserva il diritto di indagare in modo indipendente la causa di qualsiasi avaria.

### 3. Risarcimento

- Se la richiesta sotto garanzia viene notificata in modo appropriato e approvata da Palram, l'acquirente potrà, secondo l'opzione offerta da Palram, (a) acquistare un Prodotto in sostituzione o una o più parti, oppure (b) ricevere un risarcimento del Prodotto originale o del prezzo di acquisto di una o più parti, tutte in conformità alla seguente tabella:

Periodo dopo l'acquisto	Prodotto o parte/i in sostituzione	Risarcimento
Dalla data di acquisto fino alla fine del primo anno	Gratuito	100%
Fine del primo anno fino alla fine del secondo anno	l'acquirente pagherà il 20% del prezzo originale	80%
Fine del secondo anno fino alla fine del terzo anno	l'acquirente pagherà il 40% del prezzo originale	60%
Fine del terzo anno fino alla fine del quarto anno	l'acquirente pagherà il 60% del prezzo originale	40%
Fine del quarto anno fino alla fine del quinto anno	l'acquirente pagherà il 80% del prezzo originale	20%

- Onde evitare ogni dubbio, il calcolo per determinare il risarcimento per la/e parte/i difettosi, secondo la tabella di cui sopra, verrà basato sulla contribuzione della parte difettosa sul costo originale del Prodotto. Palram si riserva il diritto di fornire sostituzioni se il Prodotto o qualsiasi parte di esso sia obsoleta o non disponibile.
- La presente garanzia non copre alcun costo o spesa relativa alla rimozione e all'installazione del Prodotto, imposte, spese di spedizione o qualsiasi altra/e perdita/e diretta/e o indiretta/e derivante/i dal Prodotto avariato.

### 4. Condizioni generali e limitazioni

- DIVERSAMENTE DA QUANTO È STATO SPECIFICATO NELLA PRESENTE GARANZIA, TUTTE LE ALTRE GARANZIE, ESPRESSE O IMPLICITE, COMPRESE TUTTE LE GARANZIE IMPLICITE DI COMMERCIALITÀ O IDONEITÀ PER UNO SCOPO PARTICOLARE SONO ESCLUSE SECONDO LE LEGGI VIGENTI.
- ECCETTO SE SPECIFICATAMENTE INDICATO NELLA PRESENTE GARANZIA, PALRAM NON SARÀ RESPONSABILE DI ALCUNA PERDITA O DANNI SUBITI DALL'ACQUIRENTE, DIRETTAMENTE O INDIRECTAMENTE, COME CONSEGUENZA DELL'USO O LEGATI IN QUALSIASI ALTRO MODO AL PRODOTTO.
- SE LA LEGGE VIGENTE NON CONSENTE A PALRAM DI ESCLUDERE LE GARANZIE IMPLICITE DI COMMERCIALITÀ O IDONEITÀ PER UNO SCOPO PARTICOLARE IN RELAZIONE AL PRODOTTO, LA DURTA DI TALI GARANZIE IMPLICITE VIENE ESPRESSAMENTE LIMITATA ALLA DURATA DELLA PRESENTE GARANZIA O, SE PRESENTA DURATA MAGGIORE, AL PERIODO MASSIMO PREVISTO DALLE LEGGI VIGENTI.
- L'ACQUIRENTE È IL SOLO RESPONSABILE NEL DETERMINARE SE IL TRATTAMENTO, LA CONSERVAZIONE, L'ASSEMBLAGGIO, L'INSTALLAZIONE DEL PRODOTTO SIA SICURA E OPPORTUNA IN QUALSIASI LUOGO, PER QUALSIASI SCOPO O IN QUALSIASI CIRCOSTANZA. PALRAM NON È RESPONSABILE DI ALCUN DANNO O FERITE SUBITE DALL'ACQUIRENTE, O QUALSIASI ALTRA PERSONA O PROPRIETÀ DERIVANTI DA TRATTAMENTO, CONSERVAZIONE, INSTALLAZIONE, ASSEMBLAGGIO O USO IMPROPRIO DEL PRODOTTO O DALLA MANCATA OSSERVANZA DELLE ISTRUZIONI RELATIVE A TRATTAMENTO, CONSERVAZIONE, INSTALLAZIONE, ASSEMBLAGGIO E USO DEL PRODOTTO.
- A MENO CHE NON SIA ESPRESSAMENTE INDICATO DA PALRAM, IL PRODOTTO È INTESO SOLTANTO PER UN USO NORMALE, LOCALE E COMMERCIALE. PALRAM NON È RESPONSABILE DI ALCUNA PERDITA, DANNO, COSTO O SPESA DERIVANTI DALL'USO DEL PRODOTTO PER QUALSIASI ALTRO SCOPO NON SUGGERITO NELLE ISTRUZIONI O CHE NON VENGA PREVISTO DALLA LEGISLAZIONE VIGENTE O DA ALTRI CODICI VIGENTI NELLA LOCALITÀ DOVE L'ACQUIRENTE USERÀ IL PRODOTTO.
- IT FISSAGGIO DI QUESTO PRODOTTO A TERRA È ESSENZIALE PER OTTENERE STABILITY E RIGIDITY. AFFINCHÉ LA GARANZIA SIA VALIDA A NECESSARIO COMPLETARE QUESTO PASSAGGIO.

Palram Applications (1995) Ltd (číslo spoločnosti: 512106824), ktorej sídlo je v priemyselnom parku Teradion, M.P Misgav 20174000, Izrael (ďalej len „Palram“) poskytuje záruku, že výrobok bude bez chýb materiálu a vyhotovenia po 5 troch rokoch od pôvodného dátumu nákupu, na ktorý sa vzťahujú definície a podmienky obsiahnuté v tejto záruke.

#### 1. Podmienky

- Táto záruka je platná iba v prípade, že bol výrobok nainštalovaný, čistený a udržiavaný v súlade s písomnými odporúčaniami spoločnosti Palram a ak sa s ním v súlade s nimi aj zaobchádza (Odporúčaný spôsob použitia: Hobby Záhradníctvo).
- Ďalej sa táto záruka nevzťahuje ani na škody spôsobené použitím sily, nesprávnym zaobchádzaním, nevhodným použitím, nebalým používaním, montážou alebo údržbou, nehodami, nárazom cudzích predmetov, vandalizmom, znečisťujúcimi látkami, úpravami, náterom, spájaním, lepením a tesnením, ktoré nie je v súlade s návodom, alebo poškodenie v dôsledku čistenia pomocou nevhodných čistiacich prostriedkov a drobné odchýlky vo výrobku, a to ani pri splnení vyššie uvedených podmienok.
- Táto záruka sa nevzťahuje na škody vzniknuté v dôsledku zásahu „vyššej moci,“ napríklad v dôsledku krupobitia, víchrice, tornáda, hurikánu, snehovej búrky, povodne či požiaru.
- Táto záruka neplatí, pokiaľ boli použité konštrukčné diely a komponenty, ktoré nie sú v súlade s písomnými odporúčaniami spoločnosti Palram.
- Táto záruka sa vzťahuje len na pôvodného kupujúceho výrobku. Záruka sa nevzťahuje na žiadneho iného kupujúceho alebo používateľa výrobku (vrátane akékoľvek ďalšej osoby, ktorá získala výrobok od pôvodného kupujúceho).
- Používanie na akýkoľvek iný účel je na výhradnú zodpovednosť používateľa. Spoločnosť Palram nenesie a zrieka sa zodpovednosti za akékoľvek iné použitie, ktoré nie je odporúčané v tejto záruke.

#### 2. Reklamácia a oznámenie

- Každá reklamácia musí byť oznámená písomne spoločnosti Palram do 30 dní po zistení vady na výrobku. K oznámeniu musí byť priložený originál dokladu o zakúpení a táto záruka.
- Žiadateľ musí umožniť spoločnosti Palram prehliadku výrobku a samotné miesto inštalácie s výrobkom vo svojej pôvodnej polohe, z ktorej nebol výrobok odstránený, presunutý alebo akýmkoľvek iným spôsobom zmenený a/alebo vrátiť daný výrobok spoločnosti Palram za účelom prehliadky.
- Spoločnosť Palram si vyhradzuje právo nezávisle vyšetriť príčiny akéhokoľvek zlyhania.

#### 3. Náhrada

- Ak je reklamácia v rámci tejto záruky riadne oznámená a potvrdená spoločnosťou Palram, kupujúci si môže podľa uváženia spoločnosti Palram, buď (a) zakúpiť náhradný výrobok alebo diel/-y; alebo (b) dostať náhradu za pôvodný výrobok alebo jeho časť/časti kúpnej ceny, vždy podľa nasledujúceho postupu:

Obdobie po zakúpení	Náhradný produkt alebo diel/-y	Výška náhrady
Od dátumu nákupu až do konca prvého roka	Bezplatne	100%
Koniec 1. roka až do konca 2. roka	kupujúci zaplatí 20% z pôvodnej kúpnej ceny	80%
Koniec 2. roka až do konca 3. roka	kupujúci zaplatí 40% z pôvodnej kúpnej ceny	60%
Koniec 3. roka až do konca 4. roka	kupujúci zaplatí 60% z pôvodnej kúpnej ceny	40%
Koniec 4. roka až do konca 5. roka	kupujúci zaplatí 80% z pôvodnej kúpnej ceny	20%

- Pre vylúčenie pochybností bude výpočet týkajúci sa náhrady chybných častí/-í podľa uvedeného postupu vychádzať z pomeru chybných častí k pôvodnej obstarávacej cene výrobku. Spoločnosť Palram si vyhradzuje právo poskytnúť náhradu v prípade, že nie je výrobok či jeho časť k dispozícii alebo sa už viac nepoužíva.
- Táto záruka sa nevzťahuje na žiadne náklady či výdavky na demontáž a montáž výrobku, dane, prepravné náklady alebo akékoľvek iné priame alebo nepriame výdaje, ktoré môžu byť dôsledkom vady výrobku.

#### 4. Všeobecné podmienky a obmedzenia

- ZÁRUKY INÉ AKO VÝSLOVNE TU UVEDENÉ, VŠETKY OSTATNÉ ZÁRUKY, VÝSLOVNE ALEBO ODVODENÉ, VRÁTANE VŠETKÝCH ODVODENÝCH ZÁRUK PREDAJNOSTI ALEBO VHODNOSTI NA KONKRÉTNY ÚČEL SÚ VYLÚČENÉ, AK TO ZÁKON UMOŽŇUJE.
- OKREM VÝSLOVNE UVEDENÉHO V TOTO ZÁRUKU, SPOLOČNOSŤ PALRAM NENESIE ZODPOVEDNOSŤ ZA ŽIADNE STRATY ALEBO ŠKODY, KTORÉ KUPUJÚCI UTRPÍ PRIAMO ALEBO NEPRIAMO, ČI V DÔSLEDKU POUŽÍVANIA VÝROBKU ALEBO AKÝMKOLIEK INÝM SPÔSOBOM VZŤAHUJÚCIM SA K VÝROBKU.
- AK NEMOŽE SPOLOČNOSŤ PALRAM PODĽA PRÍSLUŠNÝCH PRÁVNÝCH PREDPISOV VYLÚČIŤ DANÚ ZÁRUKU OBCHODOVATEĽNOSTI ALEBO VHODNOSTI NA KONKRÉTNY ÚČEL VO VZŤAHU K VÝROBKU, TRVANIE VŠETKÝCH TAKÝCH ZÁRUK JE VÝSLOVNE OBMEDZENÉ NA DOBU TOTO ZÁRUKU, PRÍPADNE AK SÚ DLHŠIE, TAK NA MAXIMÁLNU DOBU POŽADOVANÚ PRÁVOM.
- KUPUJÚCI JE VÝHRADNE ZODPOVEDNÝ ZA URČENIE, ČI JE MANIPULÁCIA, SKLADOVANIE, MONTÁŽ, INŠTALÁCIA, ALEBO POUŽITIE PRÍPRAVKU BEZPEČNÉ A VHODNÉ V DANOM MIESTE, PRE DANÉ POUŽITIE ALEBO ZA URČITÝCH OKOLNOSTÍ. SPOLOČNOSŤ PALRAM NENESIE ŽIADNU ZODPOVEDNOSŤ ZA ŠKODU ALEBO ZA ZRANENIE KUPUJÚCEHO, AKEJKOLIEK INEJ OSOBY ALEBO MAJETKU V DÔSLEDKU NEPRIMÉRANÉHO ZAOBCHÁDZANIA, SKLADOVANIA, INŠTALÁCIE, MONTÁŽE, POUŽITIA VÝROBKU ALEBO ZA NEDODRŽANIE PÍSOBNÝCH POKYNOV TÝKAJÚCICH SA MANIPULÁCIE, SKLADOVANIA, INŠTALÁCIE, MONTÁŽE A POUŽÍVANIA VÝROBKU.
- TENTO VÝROBK JE URČENÝ IBA NA BEŽNÉ DOMÁCE A OBCHODNÉ POUŽITIE, POKIAĽ TO SPOLOČNOSŤ PALRAM VÝSLOVNE NEUVÁDZA INAK. SPOLOČNOSŤ PALRAM NENESIE ZODPOVEDNOSŤ ZA STRATU, ŠKODU, NÁKLADY ČI VÝDAVKY PLYNÚCE Z AKÉHOKOLIEK POUŽITIA TOHTO VÝROBK, BEZ OHLADU NA JEHO ÚČEL, POKIAĽ NIE JE ODPORÚČANÝ V PÍSOBNÝCH POKYNOCH ALEBO NIE JE DOVOLENÝ PODĽA PLATNÝCH PRÁVNÝCH PREDPISOV ČI AKÝMKOLIEK INÝMI PRÁVNÝMI PREDPISMI PLATNÝMI V MIESTE, KDE KUPUJÚCI DANÝ VÝROBK POUŽÍVA.
- NA VEDOMIE UKOTVENIE TOHTO VÝROBKU NA ZEM, JE POTREBNE PRE JEHO STABILITU A TUHOSŤ.VYIADUJE SA NA DOKONTENIE TETO FKY, ABY PLATILA ZARUKA.

Palram Applications (1995) Ltd (Ettevõtte number: 512106824), kelle registrijärgne asukoht on Teradion Tööstusparkis, M. Misgav 20174, Iisrael („Palram“) garanteerib, et Toode ei sisalda materjali- ega valmistamisvigu 5 aasta jooksul alates originaali ostukuupäev vastavalt käesolevas garantiiis sisalduvatele mõistetele, tingimustele ja tingimustele.

#### 1. Tingimused

- Käesolev garantii kehtib ainult siis, kui toode on paigaldatud, puhastatud, käideldud ja hooldatud vastavalt Palrami kirjalikele soovitusetele (Soovitav kasutus: Harrastus aiandus).
- Eespool nimetatust kõrvale kaldumata, vigastused, mis on põhjustatud jõe kasutamisest, vales käsitsemisest, sobimatust kasutamisest, hooletusest või kokkupanemisest või hooletusest, õnnetustest, võõrkehadest, vandalismist, saasteainetest, muundamisest, värvimisest, ühendamisest, liimimisest, tihendamisest, mis ei ole kooskõlas Kasutusjuhendiga või selle ühildumatute pesuvahenditega puhastamise tagajärjel tekkinud kahjustustega ja toote väikeste kõrvalekalletega see garantii ei kehti.
- Käesolev garantii ei kehti väärmatu jõe tagajärjel tekkinud kahju suhtes, mis hõlmab, kuid mitte ainult, rahe, tormi, tornaado, orikaan, lumetorm, üleujutus, tulekahju.
- Garantii on tühine, kui kasutatavad konstruktsiooniosad ja komponendid ei ole kooskõlas Palrami kirjalike soovitustega.
- Käesolev garantii kehtib ainult toote algele ostjale. See ei laiene ühelegi teisele toote ostjale või kasutajale (sealhulgas, kuid mitte ainult, isikule, kes omandab toote algsest ostjast).
- Mistahes muu kasutus muul otstarbel on kasutaja ainuvastutusel. Palram ei võta enda peale mingit vastutust mistahes kasutamise eest, mida käesolev garantii ei soovi.

#### 2. Nõuded ja teated

- Iga garantiinõue tuleb Palramile kirjalikult teatada 30 päeva jooksul pärast defekte toote avastamist, lisades originaalse müügikviitungi ja selle garantii.
- Taotleja peab lubama Palramil kontrollida toodet ja paigalduskohta ise, kui toode on endiselt algasendis ja seda ei ole eemaldatud või teisaldatud ega muudetud ega / või tagastatud toode Palramile testimiseks tagastatud.

2.3 Palram jätab endale õiguse uurida sõlmutumatul mis tahes ebaõnnestumise põhjust.

#### 3. Hüvitis

- Kui käesoleva garantiiga seotud nõue on nõuetekohaselt teavitatud ja Palram on selle heaks kiitnud, võib ostja Palrami valikul kas (a) osta asendustoode või osa / osad; või (b) saada algse toote või osa / ostuhinna tagasimakseid vastavalt järgmisele ajakavale:

Periood pärast ostmist	Asendustoode või osa / osad	Tagasimakse
Alates ostukuupäevast kuni 1. aasta lõpuni	Tasuta	100%
1. aasta lõpp kuni 2. aasta lõpuni	ostja maksab 20% algsest ostuhinnast	80%
2. aasta lõpp kuni 3. aasta lõpuni	ostja maksab 40% algsest ostuhinnast	60%
3. aasta lõpp kuni 4. aasta lõpuni	ostja maksab 60% algsest ostuhinnast	40%
4. aasta lõpp kuni 5. aasta lõpuni	ostja maksab 80% algsest ostuhinnast	20%

- Kahtluse välitamiseks põhineb ülaltoodud ajakava kohaselt defekte osade / osade hüvitamise kindlaksmääramine vigase osa panusel toote esialgse maksumusega. Palram jätab endale õiguse teha asendusi, kui toode või selle osa ei ole kättesaadav või vananenud.
- Käesolev garantii ei kata toote eemaldamise ja paigaldamise kulusid ega kulusid ega makse või transpordikulusid ega muid otseseid või kaudseid kahjusid, mis võivad tekkida toote riketest.

#### 4. Üldtingimused ja -piirangud

- MUUD TÄIENDATUD GARANTIIDES MÄÄRATUD TEISED GARANTIID, MILLELE ON VÄLJA ARVATUD VÕI KASUTATUD, TÄHELEPANU KÕIKI KASUTATAVATE GARANTIITEGA VÕI KASUTATAVATE TÄHTSUSTE SUHTES KOHALDATAVAD GARANTIID ON VÄLJA JÄRGI.
- VAJADUSEL, KUI ME OLEME ERILISELT SELLE GARANTIIS TUNNISTATUD, EI OLE PALRAMI VASTU VÕIMALIKE KAHJUDE VÕI KAHANDAMISE KOHTA, KES VASTUTAB OTSESE KINDLAKSMÄÄRATUD VÕI KASUTAMISEKS VÕI MUUDE TOODETEGA SEOTUD KASUTUST.
- KUI PALRAM ON KEELATUD KOHALDATAVA ÕIGUSE JÄRGI, KUI KASUTATAKSE VÕIMALIKE KASUTATAVUSE GARANTIIDI VÕI TOODETE SUHTES KOHALDAMISEKS, KÕIKI NENDE KASUTATUD GARANTII KESTUS ON VÄLJA KEHTIVATUD KÄESOLEVA GARANTII VÕI KUI VAJADUSEL, KOHALDATAVA ÕIGUSEGA ESITATAV MAKSIMAALNE PERIOOD.
- OSTJA ON VASTUTAV SELLE EEST, ET MÄÄRATA KINDLAKS, KAS TOOTE KÄSITSEMIN E, LADUSTAMINE, MONTAAŽ, PAIGALDAMINE VÕI KASUTAMINE ON IGAS KOHAS, MIS TAHES KASUTUSVALDKONNAS VÕI MIS TAHES KOHAS. PALRAM EI OLE VASTUTAB TOOTJA, MUUDE ISIKUTE VÕI MÜÜGIKASUTAMISE, SÄILITAMISE, PAIGALDAMISE, PAIGALDAMISE VÕI KASUTAMISE VÕI KASUTAMISE, HOIUSTAMISE, PAIGALDAMISE, PAIGALDAMISE, PAIGALDAMISE, PAIGALDAMISE, PAIGALDAMISE, PAIGALDAMISE, KASUTAMISE, KASUTAMISE, KASUTAMISE KOHTA, , TOOTE KOOSTAMINE JA KASUTAMINE.
- TULEB, KUI MUUDE PALRAMI NÄIDATUD, KASUTATAKSE TOODET AINULT NORMAALSEKS JA KAUBANDUSLIKUKS KASUTAMISEKS. PALRAM EI OLE VÕIMALIKE TOODE KASUTAMISEKS VÕIMALIKE KAHJUDE, KAHJUDE, KULUDE VÕI KULUDE KOHTA, MIDA KIRJALIKUD JUHENDID VÕI MITTE KOHALDATAVAD ÕIGUSAKTID VÕI MUUD KOODID, MIS TULEB SOOVIKUSE OSTJA KASUTADA TOOTE.
- VÕTTA MÄRKUS:** SELLE TOOTE KINNITAMINE MAAPINNALE ON ESMATÄHTS OMA STABILUSE JA ELUJÕULISUSE JAOKS. SEE ON VAJALIK, ET TÄITA KÄESOLEV ETAPP, ET TAGADA OMA GARANTEERIMINE.

## A PALRAM – CANOPIA 5 éves korlátozott jótállása

Termék részletek: Canopia Üvegházak

A Palram Applications (1995) Ltd (cégjegyzékszám: 512106824), amelynek székhelye a Teradion Industrial Park, MP Misgav 20174, Izrael (a továbbiakban: "Palram"), garantálja, hogy a termék az eredeti vásárlási dátumtól számítva 5 évig mentes mindenemű anyag vagy a gyártási hibától, a jelen garanciában szereplő feltételek betartása mellett.

**1. Feltételek**

- Ez a jótállás csak akkor érvényes, ha a termék a Palram írásbeli ajánlásainak megfelelően lett telepítve, tisztítva, kezelve és karbantartva (Ajánlott felhasználás: Hobbi kertészet).
- A garancia nem érvényesíthető, ha: az útmutatóban leírtaktól eltérően használják, tehát ha a kár különféle erő hatására, helytelen kezelés folytán, nem rendeltetésszerű használat miatt, hanyag használat végett következik be, továbbá az összeszerelés és/vagy a karbantartás során bekövetkezett kár esetén, vagy ha a kár idegen tárgyak által, vandalizmus, szennyező anyagok végett, vagy a kézikönyvben előírtaktól eltérő változtatások, festések, más összekötés, ragasztás, nem megfelelő tömítés folytán következett be, vagy a ha a kár a tisztítás során, nem megfelelő mosószer végett történt. A garancia vagy nem vonatkozik a gyárilag megadott minimális színbeli eltérésekre.
- Ez a garancia nem vonatkozik a "vis maior" okozta károkra, amely magában foglalja többek közt a jégesőt, vihart, tornádót, hurrikánt, hóvihart, árvizet, tűzeseteket.
- Ez a garancia érvényét veszti, ha a felhasználít szerkezeti elemek és alkatrészek nem kompatibilisek a Palram által írásos formában ajánlott alkatrészekkel.
- Ez a garancia kizárólag a termék eredeti vásárlójára vonatkozik. Nem terjed ki a termék második vásárlójára vagy más felhasználójára (beleértve, de nem kizárólagosan, arra a személyre, aki a terméket az eredeti vásárlótól szerezte meg).
- A bármilyen más célú felhasználás a felhasználó kizárólagos felelőssége. A Palram nem vállal felelősséget a jelen garanciától eltérő használatért.

**2. Követelések és értesítések**

- Minden garanciális igényt, a termék hibájának/meghibásodásának észrevételét követő 30 napon belül, írásban kell közölni a Palram-nak, mellékelve az eredeti számlát és ezt a garanciajegyet.
- A garanciális igényt érvényesítő félnek lehetővé kell tennie a Palram számára, hogy az érintett terméket és a telepítési helyet saját maga is ellenőrizze, úgy, hogy a termék eredeti állapotban van, és semmilyen módon nem távolították el, nem helyezték át és nem végeztek módosításokat. A terméket tehát ne küldje vissza a Palram részére bevizsgálásra.
- A Palram fenntartja magának az jogot, hogy függetlenül vizsgálja meg a hiba okait.

**3. Kártérítés**

- Ha a garanciára vonatkozó igényéről a Palram-ot megfelelően értesíti, és az jóváhagyja azt, úgy a vevő, a Palram választása szerint (a) megvásárolhat egy csereterméket vagy cseerealkatrészt; vagy (b) az eredeti termék, vagy annak részleges vételárát visszakapja, mindezt az alábbi ütemezés szerint:

Vásárlás utáni időszak	Cseretermék vagy cseerealkatrész	Visszatérítés
A vásárlás dátumától számítva, az 1. év végéig	Díjmentes	100%
Az 1. év végétől a 2. év végéig	A vevő az eredeti vételár 20% -át fizeti ki	80%
A 2. év végétől a 3. év végéig	A vevő az eredeti vételár 40% -át fizeti ki	60%
A 3. év végétől a 4. év végéig	A vevő az eredeti vételár 60% -át fizeti ki	40%
A 4. év végétől a 5. év végéig	A vevő az eredeti vételár 80% -át fizeti ki	20%

- A kétségek elkerülése végett a hibás alkatrészf-ek kompenzációjára vonatkozó meghatározás, a fenti ütemezés szerint történik, melynek alapját a hibás alkatrészf eredeti ára képi. A Palram fenntartja azon jogát, hogy ha a termék vagy annak bármely alkatrésze nem érhető el, vagy nem gyártják már, úgy azt más termékkel vagy alkatrésszel helyettesítse.
- A garancia nem terjed ki a termék eltávolításának és telepítésének költségeire, illetve az adóra, vagy szállítási költségekre, továbbá a termék meghibásodásából eredő bármilyen más közvetlen, vagy közvetett veszteségre.

**4. Általános feltételek és korlátozások**

- A GARANCIAJEGYBEN NEM SZEREPLŐ, EGYÉB KÖZVETLEN VAGY HALLGATÓLAGOS JÓTÁLLÁS NINCS, IDEÉRTVE, DE NEM KIZÁRÓLAG, AZ ÉRTÉKESÍTHETŐSÉGRE VAGY EGY ADOTT CÉLRA VALÓ ALKALMASSÁGRA VONATKOZÓ SZAVATOSSÁGOT IS.
- KIVÉVE, HA EZEN GARANCIAJEGY KI NEM MONDJA, A PALRAM NEM FELELŐS ESETLEGES KÁROKÉRT VAGY VESZTESÉGÉKÉRT A VEVŐVEL SZEMBEN, SEM KÖZVETLENÜL, SEM KÖZVETVE, MÉG HA AZ A HASZNÁLAT SORÁN IS KÖVETKEZIK BE, VAGY HA A KÁR BÁRMILYEN MÁS MÓDON KAPCSOLÓDIK A TERMÉKHEZ.
- HA A PALRAM NAK BÁRMELY VONATKOZÓ TÖRVÉNY ÉRTELMEBEN TILOS A FENTI GARANCIÁT FORGALOMBA HOZNI A TERMÉK EGY ADOTT CÉLRA TÖRTÉNŐ FELHASZNÁLÁSÁVAL ÉS ALKALMASSÁGÁVAL KAPCSOLATOSAN, ÚGY A TERMÉKKEL KAPCSOLATOS, AZ ÖSSZES ILYEN GARANCIA ÉRVÉNYSÉGE KIZÁRÓLAG AZ EMLÍTTET TÖRVÉNY GARANCIÁLIS IDŐTARTAMÁRA KORLÁTOZÓDIK, VAGY, HA JOGILAG ALKALMAZHATÓ, ÚGY A GARANCIA A LEHOSSZABB IDŐSZAKRA ALKALMAZANDÓ, MELYET A JOGSZABÁLYOK ELŐÍRNAK.
- KIZÁRÓLAGOSAN, MINDIG ÉS MINDEN KÖRÜLMÉNY KÖZÖTT, A VÁSÁRLÓ FELEL A TERMÉK MEGFELELŐ FELÉPÍTÉSI HELYÉNEK MEGÁLLAPÍTÁSÁÉRT, ANNAK KEZELÉSÉÉRT, TÁROLÁSÁÉRT, ÖSSZEÁLLÍTÁSÁÉRT, TOVÁBBÁ A TERMÉK BIZTONSÁGOS HASZNÁLATÉRT, MINDEN HELYSZÍNEEN ÉS MINDEN ALKALMAZÁSI TERÜLETEN. A PALRAM NEM TEHETŐ FELELŐSSE SEMMILYEN, A VÁSÁRLÓT, VAGY MÁS SZEMÉLYEKET ÉRT VAGYONAI KÁROKÉRT, VAGY SÉRÜLÉSEKÉRT, AMELYEK A TERMÉK NEM RENDELTETTÉSSZERŰ HASZNÁLATÁBÓL, TÁROLÁSÁBÓL, TELEPÍTÉSÉBŐL, ILL. ÖSSZESZERELÉSÉBŐL ADÓDNAK, VAGY HA FENTIEKRE VONATKOZÓAN, A TERMÉKHEZ KAPCSOLÓDÓ ÍRÁSOS ÚTUTATÓBAN LEÍRTAK NEM LETTEK BETARTVA.
- AMENNYIBEN A PALRAM MASHOGY NEM RENDELKEZIK, ÚGY A TERMÉK KIZÁRÓLAG RENDELTETTÉSSZERŰ OTTHONI, VAGY KERESKEDELMI FELHASZNÁLÁSRA KÉSZÜLT. A PALRAM NEM VÁLLAL SEMMILYEN FELELŐSSÉGET OLYAN VESZTESÉGEKÉRT VAGY KÁROKÉRT, MELYEK AZ OLYAN HELYTELEN, NEM RENDELTETTÉSSZERŰ HASZNÁLATBÓL EREDNEK, MELY HASZNÁLATI CÉL NINCS AZ ÚTUTATÓBAN ÍRÁSBA FOGLALVA, ILL. A TERMÉKET A TÖRVÉNYEK VAGY ELŐÍRÁSOK ÉRTELMEBEN TILOS HASZNÁLNI A ZÓNÁK ÉS TERÜLETEKEN, AHOVA TELEPÍTETTÉK.
- A TERMEK ROgzITESE A TALAJHOZ ELENGEDHETET EN ANNAK STABILITASAHoz ES MEREVSEGEHEZ. EZT A JOTALLAS ERVENYESITESE ERDEKEBEN IS EL KELL VEGEZNI.

## Gwarancja PALRAM – CANOPIA ograniczona na 5 lat

Szczegóły produktu: Canopia Szklarnie

Palram Applications (1995) Ltd (Numer firmy: 512106824) które zarejestrowane biuro znajduje się w Teradion Industrial Park, M.P Misgav 20174, Izrael ("Palram") gwarantuje, że e produkt pozbawiony jest wad materiałowych bądź usterek w wykonaniu na okres 5 lat liczonych od pierwotnej daty zakupu przedmiotu zgodnie z definicjami, warunkami i zastrzeżeniami zawartymi w niniejszej gwarancji.

**1. Warunki**

- Niniejsza gwarancja obowiązuje dany produkt wyłącznie jeśli jego montaż, czyszczenie, obsługa i konserwacja były wykonywane zgodnie z pisemnymi zaleceniami Palramu (Zalecane zastosowanie: Ogrodnictwo hobbyistyczne).
- Bez naruszenia powyższych warunków, szkody spowodowane użyciem siły, niepoprawną obsługą, nieodpowiednim zastosowaniem, niebąłym użyciem lub montażem, wypadkami, oddziaływaniem obcych przedmiotów, vandalizmem, zanieczyszczeniami, próbkami, malowaniem, łączeniem, klejeniem, uszczelnianiem niezgodnym z poręcznikami użytkownika lub szkody wynikające z czyszczenia niezgodnymi środkami czyszczącymi oraz pomniejsze niezgodności Produktu nie są objęte niniejszą gwarancją.
- Niniejsza gwarancja nie dotyczy szkód spowodowanych „siłami wyższymi”, wliczając w to między innymi opady gradu, burze, tornada, huragany, śnieżyce, powódzie, skutki pożaru.
- Niniejsza gwarancja jest nieważna jeśli części składowe i zastosowane elementy są niezgodne z pisemnymi zaleceniami Palramu.
- Niniejsza gwarancja dotyczy wyłącznie oryginalnego nabywcy produktu i nie obejmuje żadnego innego nabywcy bądź użytkownika produktu. (wliczając w to między innymi jakąkolwiek osobę, która nabyła produkt od pierwotnego nabywcy.)
- Każde inne wykorzystanie do jakichkolwiek innych celów odbywa się na wyłączną odpowiedzialność użytkownika. Palram zrzeka się i nie ponosi żadnej odpowiedzialności za jakiegokolwiek wykorzystanie niezalecane przez niniejszą gwarancję.

**2. Reklamacje i zgłoszenia**

- Każda reklamacja musi być zgłoszona pisemnie do Palramu w ciągu 30 dni od odkrycia wadliwego produktu z załączeniem oryginalnego paragonu oraz niniejszej gwarancji.
- Whioskodawca musi zezwolić Palramowi na dokonanie kontroli reklamowanego Produktu oraz samego miejsca montażu, w czasie gdy Produkt nadal znajduje się w swoim pierwotnym położeniu i nie został usunięty ani przeniesiony lub zmieniony w jakikolwiek sposób i/lub zwrócić Produkt Palramowi do kontroli.

**3. Odszkodowanie**

- 31 Jeśli reklamacja zostanie poprawnie zgłoszona i zatwierdzona przez Palram, nabywca, do wyboru przez Palram, może (a) zakupić zastępczy produkt lub jego części; lub (b) otrzymać zwrot kosztów za oryginalny Produkt lub jego części, zgodnie z poniższym schematem:

Okres po zakupie	Wymiana produktu lub jego części	Refundacja
Od daty zakupu do końca 1 roku	Bezpłatnie	100%
Koniec 1 roku do końca 2 roku	Nabywca zapłaci 20% oryginalnej ceny	80%
Koniec 2 roku do końca 3 roku	Nabywca zapłaci 40% oryginalnej ceny	60%
Koniec 3 roku do końca 4 roku	Nabywca zapłaci 60% oryginalnej ceny	40%
Koniec 4 roku do końca 5 roku	Nabywca zapłaci 80% oryginalnej ceny	20%

- W celu uniknięcia jakichkolwiek wątpliwości, kalkulacja postanowienia w związku z odszkodowaniem za wadliwe części, zgodnie z powyższym schematem, będzie oparta na oryginalnym wkładzie finansowym Produktu za jego wadliwe części. Palram zastrzega sobie prawo do zapewnienia zamienników jeśli Produkt lub jakakolwiek jego część jest niedostępna lub nieaktualna.
- Niniejsza gwarancja nie pokrywa żadnych kosztów usunięcia lub montażu Produktu, podatków lub transportu, bądź jakichkolwiek innych bezpośrednich lub pośrednich strat które mogły nastąpić po awarii Produktu.

**4. Warunki ogólne i ograniczenia**

- INNE NIŻ KONKRETNIE OKREŚLONE W NINIEJSZEJ GWARANCJI, WSZYSTKIE INNE GWARANCJE, WYRAŻONE CZY DOROZUMIANE, WŁĄCZAJĄC W TO WSZYSTKIE DOROZUMIANE GWARANCJE PRZYDATNOŚCI HANDLOWEJ BĄDŹ STOSOWNOŚCI DO OKREŚLONEGO CELU NIE SĄ WŁĄCZONE TAK DŁUGO JAK POZWALA NA TO PRAWO.
- Z WYJĄTKIEM PRZYPADKÓW KONKRETNIE OKREŚLONYCH W NINIEJSZEJ GWARANCJI PALRAM NIE NIE JEST ZOBOWIĄZANY ZA JAKIEKOLWIEK STRATY LUB SZKODY, JAKICH DOZNAŁ NABYWCA W SPOSÓB BEZPOŚREDNI, POŚREDNI, LUB W WYNIKU UŻYTKU, BĄDŹ W JAKIKOLWIEK INNY SPOSÓB POWIĄZANY Z PRODUKTEM.
- JESLI PALRAM JEST ZABRONIONY PRZEZ JAKIEKOLWIEK OBOWIĄZUJĄCE PRAWO POMIAJĄC DOROZUMIANĄ GWARANCJĘ PRZYDATNOŚCI HANDLOWEJ BĄDŹ STOSOWNOŚCI DO OKREŚLONEGO CELU ZWIĄZANEGO Z PRODUKTEM, OKRES TRWANIA TAKICH GWARANCJI JEST JEDNOZNAČZNIE OGRANICZONY DO CZASU TRWANIA TEJ GWARANCJI, BĄDŹ MAKSYMALNEGO CZASU WYMAGANEGO PRZEZ PRAWO.
- NABYWCA JEST WYŁĄCZNIE ODPOWIEDZIALNY ZA DOPILNOWANIE OBSŁUGI, PRZECHOWYWANIA, MONTAŻU, INSTALACJI, ORAZ CZY UŻYTKOWANIE PRODUKTU JEST BEZPIECZNE ORAZ WŁAŚCIWE W JAKIMKOLWIEK POŁOŻENIU DLA JAKIEGOKOLWIEK ZASTOSOWANIA I JAKICHKOLWIEK OKOLICZNOŚCI. PALRAM NIE JEST ODPOWIEDZIALNE ZA SZKODY LUB OBRAŻENIA NABYWCY BĄDŹ JAKIEKOLWIEK INNEJ OSOBY LUB WŁASNOŚCI WYNIKAJĄCE Z Z NIEWŁAŚCIWEJ OBSŁUGI, PRZECHOWYWANIA, MONTAŻU, INSTALACJI I ZASTOSOWANIA PRODUKTU.
- O ILE FIRMA PALRAM WYRAŹNIE NIE WSKAZAŁA INACZEJ, PRODUKT JEST PRZEZNACZONY WYŁĄCZNIE DO ZWYKŁEGO UŻYTKU DOMOWEGO I KOMERCYJNEGO. PALRAM NIE JEST ODPOWIEDZIALNY ZA JAKIEKOLWIEK STRATY LUB SZKODY, KOSZTY LUB WYDATKI WYNIKAJĄCE Z JAKIEKOLWIEK ZASTOSOWANIA PRODUKTU W JAKIMKOLWIEK CELU, KTÓRY NIE JEST ZALECANY PRZEZ PISEMNĄ INSTRUKCJĘ LUB KTÓRY NIE JEST DOZWOLONY PRZEZ OBOWIĄZUJĄCE PRAWO LUB INNY KODEKS WYNIKAJĄCY Z LOKALIZACJI W KTÓREJ NABYWCA BĘDZIE STOSOWAŁ PRODUKT.
- PRZYMOCOWANIE TEGO PRODUKTU DO ZIEMI JEST KLUCZOWE DLA ZAPEWNIENIA MU STABILNOKI I SZTYWNOKI. ABY ZACHOW.K WAZNIK GWARANCJI, NALEŻY ZAKORICZYĆ TEN ETAP MONTAŻU.

Palram Applications (1995) Ltd (Společnost číslo: 512106824), jejíž registrační kancelář je na adrese Teradion Industrial Park, M.P Misgav 20174000, Izrael („Palram“), zaručuje, že Produkt nebude mít žádné vady materiálu nebo řemeslného zpracování po dobu 5 let od data původního nákupu. Toto podléhá definicím, podmínkám a ujednáním obsaženým v této záruce.

#### 1. Podmínky

11 Tato záruka bude platit, pouze pokud se Produkt instaluje, čistí, ovládá a udržuje v souladu s písemnými doporučeními společnosti Palram (Doporučené použití: Volnočasové zahrádkaření).

12 Bez ohledu na výše uvedené tato záruka nekryje poškození způsobená silou, nesprávnou manipulací, nepříslušným používáním, nedbalým používáním, montáží nebo údržbou, nehodami, vlivem cizích objektů, vandalismem, znečišťujícími látkami, pozměňenímí, malováním, spojením, slepením, utěsněním, které nejsou v souladu s uživatelskou příručkou, poškození následkem čištění nekompatibilními čistícími prostředky, ani menší odchylky Produktu.

13 Tato záruka nekryje poškození způsobená „vyšší mocí“, která mimo jiné zahrnují krupobití, bouři, tornádo, hurikán, sněhovou bouři, záplavy a účinky ohně.

14 Tato záruka je neplatná, pokud nejsou konstrukční části a komponenty používány v souladu s písemnými doporučeními společnosti Palram.

15 Tato záruka platí pouze pro původního kupujícího Produktu. Neprodukuje se na žádného jiného kupujícího nebo uživatele Produktu (včetně, ale ne pouze na jakoukoliv osobu, která získá Produkt od původního kupujícího).

16 Jakékoli jiné použití pro jiné účely je výhradní odpovědností uživatele.

Palram se zříká a nepřebírá žádnou odpovědnost za jakékoli použití, které tato záruka nedoporučuje.

#### 2. Požadavky a oznámení

21 Každý záruční požadavek musí být společnosti Palram oznámen písemně do 30 dní od zjištění vadného Produktu a musí mít přiložený doklad o nákupu a tuto záruku.

22 Žadatel musí umožnit společnosti Palram kontrolu souvisejícího Produktu a vlastního místa instalace, dokud je Produkt stále ve své původní poloze a nebyl odstraněn ani žádným způsobem změněn, a/nebo vrácení Produktu společnosti Palram na testování.

23 Společnost Palram si vyhrazuje právo nezávisle prošetřit příčinu jakéhokoliv selhání.

#### 3. Kompenzace

31 Pokud je požadavek podle této Záruky správně oznámen a schválen společností Palram, pak může kupující podle výběru společnosti Palram buď (a) koupit náhradní Produkt nebo část/části; nebo (b) obdržet vrácení peněz původní ceny Produktu nebo částí/částí, vše v souladu s následujícím rozvrhem:

<b>Období po nákupu</b>	<b>Výměna produktu nebo části/částí</b>	<b>Vrácení peněz</b>
Od data nákupu do konce 1. roku	Zdarma	100%
Od konce 1. roku do konce 2. roku	kupující zaplatí 20 <span> </span> % procent původní ceny	80%
Od konce 2. roku do konce 3. roku	kupující zaplatí 40 <span> </span> % původní ceny	60%
Od konce 3. roku do konce 4. roku	kupující zaplatí 60 <span> </span> % původní ceny	40%
Od konce 4. roku do konce 5. roku	kupující zaplatí 80 <span> </span> % původní ceny	20%

32 Výpočet pro rozhodnutí ohledně kompenzace za vadnou část / vadné části bude kvůli zamezení jakýmkoliv pochybnostem v souladu s výše uvedeným rozvrhem založen na připsané vadné části k původní ceně Produktu. Společnost Palram si vyhrazuje právo na poskytnutí náhrad, pokud Produkt nebo jakákoliv část nejsou dostupné, nebo jsou zastaralé.

33 Tato záruka nekryje žádné náklady ani výdaje s odstraněním a instalací Produktu ani daně nebo náklady na dopravu nebo jinou přímou nebo nepřímou ztrátu / jiné přímé nebo nepřímé ztráty, které můžou nastat následkem selhání Produktu.

#### 4. Všeobecné podmínky a omezení

41 KROMĚ TOHO, CO JE SPECIFICKY UVEDENO V TÉTO ZÁRUCE, JSOU VŠECHNY OSTATNÍ ZÁRUKY, AŤ UŽ VYJÁDŘENÉ NEBO NAZNAČENÉ VČETNĚ VŠECH NEPŘÍMO VYJÁDŘENÝCH ZÁRUK PRODEJNOSTI NEBO VHDNOSTI PRO URČITÝ ÚČEL VYLOUČENY V MAXIMÁLNÍM ROZSAHU POVOLENÉM ZÁKONEM.

42 KROMĚ PŘÍPADŮ, KTERÉ JSME SPECIFICKY UVEDLI V TÉTO ZÁRUCE, NEMŮŽE BÝT SPOLEČNOST PALRAM ZODPOVĚDNÁ ZA ŽÁDNÉ ZTRÁTY ANI POŠKOZENÍ, KTERÉ KUPUJÍCÍ UTRPÍ PŘÍMO, NEPŘÍMO NEBO NÁSLEDKEM POUŽÍVÁNÍ PRODUKTU NEBO JINÝM ZPŮSOBEM SOUVISEJÍCÍM S PRODUKTEM.

43 POKUD MÁ SPOLEČNOST PALRAM PODLE JAKÉHOKOLIV PŘÍSLUŠNÉHO ZÁKONA ZAKÁZÁNO VYLOUČIT NEPŘÍMO VYJÁDŘENÉ ZÁRUKY PRODEJNOSTI NEBO VHDNOSTI PRO SPECIFICKÝ ÚČEL V SOUVISLOSTI S PRODUKTEM, PAK JE DOBA TRVÁNÍ VŠECH TĚCHTO NEPŘÍMO VYJÁDŘENÝCH ZÁRUK VÝSLOVNĚ OMEZENA NA DOBU TRVÁNÍ TÉTO ZÁRUKY NEBO MAXIMÁLNÍ DOBU VYŽADOVANOU PŘÍSLUŠNÝM ZÁKONEM, POKUD JE TATO DOBA DELŠÍ.

44 KUPUJÍCÍ JE VÝHRADNĚ ZODPOVĚDNÝ ZA ROZHODNUTÍ, ZDA JE MANIPULACE, USKLADNĚNÍ, MONTÁŽ, INSTALACE NEBO POUŽÍVÁNÍ PRODUKTU BEZPEČNĚ A VHODNĚ V JAKÉMKOLIV UMÍSTĚNÍ PRO JAKÉKOLIV DANÉ POUŽITÍ NEBO DANÉ OKOLNOSTI. SPOLEČNOST PALRAM NENÍ ZODPOVĚDNÁ ZA ŽÁDNÉ ZTRÁTY ANI ZRANĚNÍ KUPUJÍCÍHO NEBO JINÉ OSOBY ČI MAJETKU NÁSLEDKEM NESPRÁVNÉ MANIPULACE, USKLADNĚNÍ, INSTALACE, MONTÁŽE NEBO POUŽÍVÁNÍ PRODUKTU, NEBO NEDODRŽENÍM PÍSEMNÝCH POKYNŮ OHLEDNĚ MANIPULACE, USKLADNĚNÍ, INSTALACE, MONTÁŽE A POUŽÍVÁNÍ PRODUKTU.

45 POKUD SPOLEČNOST PALRAM VÝSLOVNĚ NEUVEDE JINAK, JE VÝROBEK URČEN POUZE PRO BĚŽNÉ DOMÁČÍ A KOMERČNÍ ÚČELY SPOLEČNOST PALRAM NENÍ ZODPOVĚDNÁ ZA ŽÁDNÉ ZTRÁTY, POŠKOZENÍ ANI NÁKLADY NÁSLEDKEM POUŽÍVÁNÍ PRODUKTU PRO JAKÝKOLIV ÚČEL, KTERÝ NENÍ DOPORUČENÝ PÍSEMNÝMI POKYNY, NEBO KTERÝ NENÍ POVOLNÝ ŽÁDNOU PŘÍSLUŠNOU LEGISLATIVOU ANI JINOU SBÍRKOU ZÁKONŮ PLATNÝMI V UMÍSTĚNÍ, KDE BUDE KUPUJÍCÍ PRODUKT POUŽÍVAT.

46 UKOTVENÍ TOHOTO PRODUKTU K ZEMI JE NEZBYTNÉ PRO JEHO STABILITU A PEVNOST. ABY BYLA VASE ZÁRUKA PLATNA, JE NUTNÉ DOKONTIT TENTO KROK.

Podjetje Palram Applications (1995) Ltd (matična številka: 512106824), katerega sedež je na naslovu Teradion Industrial Park, M.P Misgav 20174, Izrael (»podjetje Palram«), jamči, da bo izdelek brez napak v materialu ali pri proizvodnji še 5 let od originalnega datuma nakupa skladno z opredelitvami pojmov in pogoji, ki jih vsebuje ta garancija.

#### 1. Pogoji

1.1 Ta garancija velja le, če je izdelek nameščen, očiščen, se uporablja in vzdržuje skladno s pisnimi priporočili podjetja Palram (Priporočena uporaba: hobi vrtnarjenje).

1.2 Brez odstopanja od zgoraj navedenega v tej garanciji ni zajeta škoda, ki je nastala zaradi uporabe sile, nepravilnega ravnanja, neprimerne ali malomarne uporabe ali sestavljanja ali vzdrževanja, nesreče, udarca z drugim predmeti, vandalizma, onesnaževanja, sprememb, barvanja, povezovanja, lepljenja in tesnjenja, ki ni v skladu z navodili za uporabo, ali škoda, ki nastane zaradi čiščenja z nezdružljivimi detergenty, ali manjša odstopanja izdelka.

1.3 Ta garancija ne velja za škodo, ki je posledica »višje sile«, ki med drugim vključuje točo, nevihto, tornado, orkan, snežni metež, poplavo in posledice požara.

1.4 Ta garancija postane neveljavna, če uporabljeni strukturni in sestavni deli niso združljivi s pisnimi priporočili podjetja Palram.

1.5 Ta garancija velja samo za originalnega kupca izdelka. Garancija se ne prenese na drugega kupca ali uporabnika tega izdelka (med drugim vključno s katero koli osebo, ki izdelek pridobi od originalnega kupca izdelka).

1.6 Za kakršno koli drugo uporabo za kakršen koli drug namen je izključno odgovoren uporabnik.

Palram zavrača in ne prevzema nobene odgovornosti za kakršno koli uporabo, ki je ta garancija ne priporoča.

#### 2. Zahtevki in obvestila

2.1 O vsakem garancijskem zahtevku je treba pisno seznaniti podjetje Palram v 30 dneh po odkritju pomanjkljivosti izdelka ter temu obvestilu priložiti originalni račun in to garancijo.

2.2 Vlagatelj zahtevka mora podjetju Palram dovoliti, da pregleda zadevni izdelek in mesto, kjer je bil izdelek uporabljen, medtem ko je izdelek še vedno v svojem prvotnem položaju in ni bil odstranjen, premaknjen ali spremenjen, in/ali mora vrniti izdelek podjetju Palram za testiranje.

2.3 Palram si pridržuje pravico, da neodvisno razižče vzrok za kakršno koli okvaro.

#### 3. Odškodnina

3.1 Če je podjetje Palram ustrezno obveščeno o garancijskem zahtevku in ga odobri, podjetje Palram ponudi kupcu možnost, da (a) kupi nadomestni izdelek ali del/-e; ali (b) prejme povračilo nakupne cene originalnega izdelka ali dela/-ov, vse v skladu z naslednjim časovnim razporedom:

<b>Obdobje po nakupu</b>	<b>Nadomestni izdelek ali del/-i</b>	<b>Povračilo</b>
Od datuma nakupa do konca 1. leta	Brezplačno	100%
Od konca 1. leta do konca 2. leta	Kupec bo plačal 20 <span> </span> % originalne nakupne cene	80%
Od konca 2. leta do konca 3. leta	Kupec bo plačal 40 <span> </span> % originalne nakupne cene	60%
Od konca 3. leta do konca 4. leta	Kupec bo plačal 60 <span> </span> % originalne nakupne cene	40%
Od konca 4. leta do konca 5. leta	Kupec bo plačal 80 <span> </span> % originalne nakupne cene	20%

3.2 Da bi se izognili dvomom, se izračun za določitev odškodnine za del/-e z napako po zgoraj navedenem časovnem razporedu izračuna na podlagi prispevka dela z napako k originalni ceni izdelka. Podjetje Palram si pridržuje pravico, da zagotovi nadomestilo, če izdelek ali kateri koli njegov del ni na voljo ali je zastarel.

3.3 Ta garancija ne zajema nobenih izdatkov in stroškov odstranitve in namestitve zadevnega izdelka ali davkov, stroškov dostave ali kakršnih koli drugih neposrednih ali posrednih izgub, ki lahko nastanejo zaradi okvare izdelka.

#### 4. Splošni pogoji in omejitve

4.1 RAZEN ČE JE BILO V TEJ GARANCIJI POSEBEJ NAVEDENO, SO VSE DRUGE GARANCIJE, BODISI IZREČNE ALI IMPLICITNE, VKLJUČNO Z VSEMI IMPLICITNIMI GARANCIJAMI O PRIMERNOSTI IZDELKA ZA PRODAJO ALI ZA DOLOČEN NAMEN, IZVETE V OBSEGU, KI GA DOVOLJUJE ZAKONODAJA.

4.2 RAZEN KADAR JE TO IZREČNO NAVEDENO V TEJ GARANCIJI, PODJETJE PALRAM NI ODGOVORNO ZA KAKRŠNO KOLI IZGUBO ALI ŠKODO, KI JO KUPEC UTRPI NEPOSREDNO, POSREDNO ALI KOT POSLEDICO UPORABE ALI V KATERI KOLI DRUGI POVEZAVI S TEM IZDELKOM.

4.3 ČE JE PODJETJU PALRAM V SKLADU S KATERIMI KOLI VELJAVNIMI ZAKONI PREPOVEDANO IZKLJUČITI IMPLICITNE GARANCIJE O PRIMERNOSTI IZDELKA ZA PRODAJO ALI ZA DOLOČEN NAMEN V POVEZAVI S TEM IZDELKOM, JE TRAJANJE VSEH TAKŠNIH IMPLICITNIH GARANCIJ IZREČNO OMEJENO NA TRAJANJE TE GARANCIJE ALI, ČE JE DALJŠE, NA NAJDALJŠE OBDOBJE, KI GA ZAHTEVA VELJAVNA ZAKONODAJA.

4.4 KUPEC JE IZKLJUČNO ODGOVOREN ZA UGOTAVLJANJE, ALI SO ROKOVANJE Z IZDELKOM, SHRANJEVANJE, MONTAŽA, NAMESTITVE ALI UPORABA IZDELKA VARNI IN PRIMERNI NA KATEREM KOLI MESTU, ZA KATERO KOLI DANO UPORABO ALI V KATERI KOLI DANI OKOLIŠČINI. PODJETJE PALRAM NI ODGOVORNO ZA NOBENO ŠKODO ALI POŠKODBO KUPCA, KATERE KOLI DRUGE OSEBE ALI KATERE KOLI LASTNINE, KI IZHAJA IZ NEUSTREZNEGA RAVNANJA, SHRANJEVANJA, NAMESTITVE, MONTAŽE ALI UPORABE IZDELKA ALI NEUPOŠTEVANJA PISNIH NAVODIL ZA ROKOVANJE, SHRANJEVANJE, NAMESTITVE, MONTAŽO IN UPORABO IZDELKA.

4.5 IZDELEK JE NAMENJEN SAMO ZA OBIČAJNO STANOVANJSKO IN KOMERCIALNO RABO, RAZEN ČE PODJETJE PALRAM IZREČNO NAVEDE DRUGAČE. PODJETJE PALRAM NI ODGOVORNO ZA NOBENO IZGUBO, ŠKODO, IZDATKE ALI STROŠKE, KI IZHAJAJO IZ KAKRŠNE KOLI UPORABE IZDELKA ZA KAKRŠEN KOLI NAMEN, KI NI PRIPOROČEN V PISNIH NAVODILIH ALI KI NI DOVOLJEN S KATERO KOLI VELJAVNO ZAKONODAJO ALI DRUGIMI VELJAVNIMI PRAVILNIKI V KRAJU, KJER BO KUPEC UPORABIL IZDELEK.

4.6 PROSIM UPOŠTEVAJTE: PRITRJEVANJE OZ. SIDRANJE IZDELKOV JE NUJNO ZA NJHOVO STABILNOST IN RIGIDNOST. GARANCIJA JE VELJAVNA SAMO V PRIMERU, ČE SE VSE IZDELKE PRITRDI, SIDRA NA TLA, GLEDE NA PRILOŽENA NAVODILA.

## Certificat de garanție PALRAM - CANOPIA cu o durată determinată de 5 ani

Detalii produs: Canopia Sere

Palram Applications (1995) Ltd (Număr de înregistrare: 512106824), cu sediul social în Teradion Industrial Park, M.P Misgav 20174000, Israel („Palram”) garantează că Produsul nu prezintă defecte de material sau de fabricație pentru o perioadă de 10 ani de la data cumpărării, cu respectarea definițiilor și a termenilor și condițiilor din prezentul certificat de garanție.

### 1. Condiții

- Prezentul certificat de garanție este valabil doar dacă Produsul a fost instalat, curățat, manipulat și întreținut în conformitate cu recomandările scrise ale Palram.
- Fără a deroga de la cele de mai sus, daunele cauzate de folosirea forței în exces, de manipularea incorectă, utilizarea necorespunzătoare, respectiv de utilizarea, montarea sau întreținerea neglijente, accidentele, impactul cu obiecte străine, vandalismul, materiile poluante, alterarea, vopsirea, conectarea, lipirea, etanșarea care nu au fost efectuate în conformitate cu manualul de utilizare, respectiv daunele rezultate din curățarea cu detergenți nepotrivți și deviațiile minore ale Produsului nu sunt acoperite de prezentul certificat de garanție.
- Acest certificat de garanție nu acoperă daunele rezultate din situații de forță majoră, care includ, dar nu se limitează la, grindină, furtună, tornadă, uragan, viscol, inundație, foc.
- Acest certificat de garanție este nul dacă piesele și componentele structurale utilizate nu sunt compatibile cu recomandările scrise ale Palram.
- Acest certificat de garanție este acordat exclusiv cumpărătorului inițial al Produsului. Nu se extinde asupra niciunui alt cumpărător sau utilizator subsecvent al Produsului (inclusiv, dar fără a se limita la, orice persoană care, preia Produsul de la cumpărătorul inițial).

### 2. Solicitări și notificări

- Orice solicitare efectuată în baza prezentului certificat de garanție trebuie notificată în scris companiei Palram în termen de 30 de zile de la descoperirea Produsului defect și trebuie să includă și bonul fiscal original și prezentul certificat de garanție.
- Cel care face solicitarea trebuie să permită companiei Palram să verifice Produsul în cauză și locul montării sale cât timp Produsul se află încă în poziția sa originală și înainte de a fi demontat sau modificat în vreun fel și/sau să permită returnarea Produsului la Palram pentru efectuarea de teste.
- Palram își rezervă dreptul de a cerceta în mod independent cauza oricărei defecțiuni.

### 3. Despăgubiri

- Dacă o solicitare efectuată în baza prezentului certificat de garanție este notificată în mod corect și aprobată de Palram, cumpărătorul, la alegerea Palram, poate fie (a) cumpăra un Produs sau o piesă/piese de înlocuire; fie (b) primi înapoi prețul original al Produsului sau al piesei/pieselor, ambele variante cu respectarea următorului calendar:

Perioadă după data cumpărării	Produs sau piesă/piese de înlocuire	Rambursare
De la data cumpărării până la finalul 1 an	Gratuit	100%
De la finalul 1 an până la finalul celui de-al 2 an	cumpărătorul va plăti 10% din prețul original plătit	80%
De la finalul 2 an până la finalul celui de-al 3 an	cumpărătorul va plăti 20% din prețul original plătit	60%
De la finalul 3 an până la finalul celui de-al 4 an	cumpărătorul va plăti 30% din prețul original plătit	40%
De la finalul 4 an până la finalul celui de-al 5 an	cumpărătorul va plăti 40% din prețul original plătit	20%

- Pentru a înlătura orice fel de dubiu, calculul pentru a stabili cantumul despăgubirilor pentru piesa/piese defectă(e), în conformitate cu calendarul de mai sus, va porni de la procentul valoric al piesei defecte în prețul original al Produsului. Palram își rezervă dreptul de a furniza înlocuitori dacă Produsul sau orice piesă a acestuia nu mai sunt disponibile sau nu se mai fabrică.
- Acest certificat de garanție nu acoperă costurile sau cheltuielile generate de demontarea sau montarea Produsului, respectiv taxele sau costurile generate de livrare sau de orice alte pierderi directe sau indirecte care ar putea rezulta ca urmare a defectării Produsului.

### 4. Condiții și limitări de ordin general

- CU EXCEPȚIA SITUAȚILOR MENȚIONATE EXPRES ÎN PREZENTUL CERTIFICAT DE GARANȚIE, TOATE CELELALTE GARANȚII, EXPRES PREVĂZUTE SAU IMPLICITE, INCLUSIV TOATE GARANȚIILE COMERCIALE IMPLICITE SAU FAPTUL DE A FI POTRIVIT PENTRU UN ANUMIT SCOP SUNT EXCLUSE ÎN MĂSURA MAXIM PERMISĂ DE LEGE.
- CU EXCEPȚIA SITUAȚILOR MENȚIONATE EXPRES ÎN PREZENTUL CERTIFICAT DE GARANȚIE, PALRAM NU VA FI RESPONSABILĂ PENTRU NICIO PIERDERE SAU DAUNĂ SUFERITĂ DE CUMPĂRĂTOR ÎN MOD DIRECT, INDIRECT SAU CA O CONSECINȚĂ A UTILIZĂRII SAU ÎN LEGĂTURĂ, ÎN ORICE ALT MOD, CU PRODUSUL.
- ÎN CAZUL ÎN CARE PALRAM NU ARE DREPTUL, ÎN CONFORMITATE CU ORICE REGLEMENTARE APLICABILĂ, SĂ EXCLUDĂ GARANȚIILE COMERCIALE IMPLICITE SAU FAPTUL DE A FI POTRIVIT PENTRU UN ANUMIT SCOP CU PRIVIRE LA PRODUS, DURATA VALABILITĂȚII ORICĂROR ASTFEL DE GARANȚII IMPLICITE ESTE LIMITATĂ ÎN MOD EXPRES LA DURATA PREZENTULUI CERTIFICAT DE GARANȚIE SAU, ÎN CAZUL ÎN CARE ESTE MAI MARE, LA DURATA MAXIMĂ IMPUSĂ DE REGLEMENTĂRILE APLICABILE.
- CUMPĂRĂTORUL ESTE SINGURUL RESPONSABIL PENTRU A STABILI DACĂ MANIPULAREA, DEPOZITAREA, MONTAJUL, INSTALAREA SAU UTILIZAREA PRODUSULUI SUNT SIGURE ȘI POTRIVITE PENTRU ORICE LOC, PENTRU ORICE APLICAȚIE ȘI ÎN ORICE SITUAȚIE. PALRAM NU ESTE RESPONSABILĂ PENTRU NICIO DAUNĂ SAU RĂNIRE SUFERITĂ DE CUMPĂRĂTOR, DE ORICE ALTĂ PERSOANĂ SAU BUN CE REZULTĂ DIN MANIPULAREA, DEPOZITAREA, MONTAJUL, INSTALAREA SAU UTILIZAREA NECORESPUNZĂTOARE A PRODUSULUI SAU DIN NERESPECTAREA INSTRUCȚIUNILOR SCRISE CU PRIVIRE LA MANIPULAREA, DEPOZITAREA, MONTAJUL, INSTALAREA SAU UTILIZAREA PRODUSULUI.
- CU EXCEPȚIA UNEI INDICAȚII CONTRARE EXPRESE DIN PARTEA PALRAM, PRODUSUL ESTE DESTINAT NUMAI UTILIZĂRII NORMALE CASNICE ȘI COMERCIALE. PALRAM NU ESTE RESPONSABILĂ PENTRU NICIO PIERDERE, DAUNĂ, COSTURI SAU CHELTUIELI CE REZULTĂ DIN UTILIZAREA PRODUSULUI ÎN ORICE ALT SCOP, ALTUL DECÂT CEL RECOMANDAT ÎN INSTRUCȚIUNILE SCRISE SAU CARE NU ESTE PERMIS DE ORICE REGLEMENTĂRI APLICABILE SAU ALTE CODURI ÎN VIGOARE ÎN LOCUL ÎN CARE CUMPĂRĂTORUL VA FOLOSI PRODUSUL.
- ANCORAREA ACESTUI PRODUS DE SOT ESTE ESENȚIALĂ PENTRU STABILITATEA ȘI RIGIDITATEA LUI. ESTE NECESAR SA DUCETI LA BUN SFARSIT ACEST PAS PENTRU CA GARANTIA DVS. SA FIE VALABILA.